



Chipsmall Limited consists of a professional team with an average of over 10 year of expertise in the distribution of electronic components. Based in Hongkong, we have already established firm and mutual-benefit business relationships with customers from,Europe,America and south Asia,supplying obsolete and hard-to-find components to meet their specific needs.

With the principle of “Quality Parts,Customers Priority,Honest Operation,and Considerate Service”,our business mainly focus on the distribution of electronic components. Line cards we deal with include Microchip,ALPS,ROHM,Xilinx,Pulse,ON,Everlight and Freescale. Main products comprise IC,Modules,Potentiometer,IC Socket,Relay,Connector.Our parts cover such applications as commercial,industrial, and automotives areas.

We are looking forward to setting up business relationship with you and hope to provide you with the best service and solution. Let us make a better world for our industry!



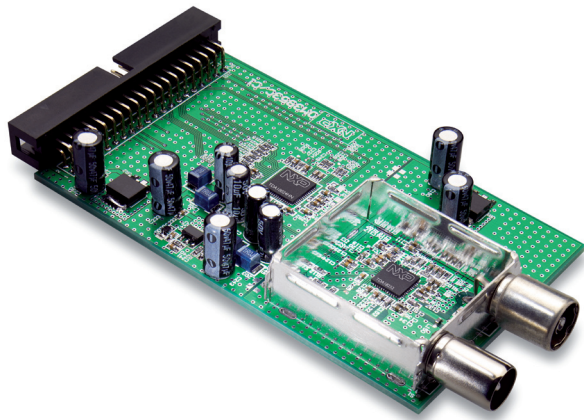
Contact us

Tel: +86-755-8981 8866 Fax: +86-755-8427 6832

Email & Skype: info@chipsmall.com Web: www.chipsmall.com

Address: A1208, Overseas Decoration Building, #122 Zhenhua RD., Futian, Shenzhen, China





NXP silicon tuner TDA18252HN

Easy and cost effective digital cable STB solution

Are you faced with the challenge of supporting high-performance emerging applications while still requiring analog loop-through capabilities for major markets like India and China? NXP Semiconductors' 3rd generation, fully integrated silicon tuner TDA18252HN helps you create high-performance, low-cost digital cable set-top box solutions for all markets.

Key benefits

- ▶ Lowers system cost by eliminating costly components such as low noise amplifiers and SAW filters
- ▶ Fully meets SARFT requirements
- ▶ Supports single tuner receiver boxes and enables DVR configuration
- ▶ Supports other world standards including SCTE-40, J-QAM and NORDIG
- ▶ Easy on-board integration
- ▶ Reduced external component count
- ▶ Smallest system PCB footprint, enabling further size reduction of application board
- ▶ Offers optimized front end solution with TDA10024HN (latest NXP QAM demodulator)

Key features

- ▶ Multi-standard digital cable reception
- ▶ Low power consumption (< 800 mW)
- ▶ Frequency coverage up to 1002 MHz

- ▶ Fully integrated IF selectivity, eliminating the need for external SAW filters
- ▶ Fully integrated oscillators with no external components
- ▶ On-chip loopthrough with analog capability
- ▶ Input signal strength indicator and die temperature sensor (via I²C-bus)
- ▶ Device standby modes to further reduce power consumption
- ▶ Single 3.3 V power supply

Key applications

- ▶ DVB-C and digital cable set-top box applications

Dedicated to digital cable set-top box applications in fast growing Asian markets like China and India, our highly integrated silicon tuner TDA18252HN helps you reduce your total application bill-of-materials. Simplifying your system design, the IC incorporates the tuning function along with the IF selectivity - eliminating the need for discrete image-rejection, RF and IF SAW filters.



The received signal spectrum is down-converted and filtered to low-IF signal. This directly feeds the QAM demodulator, without needing conventional high cost external filtering. The TDA18252HN provides a low IF frequency of 4 MHz from a 6 MHz bandwidth, 4.5 MHz from a 7 MHz bandwidth and 5 MHz from an 8 MHz bandwidth.

Working with a single 16 MHz crystal, the IC's buffered clock output can provide the system clock for other tuners and for channel decoders. The TDA18252HN also includes an integrated analog loop-through function.

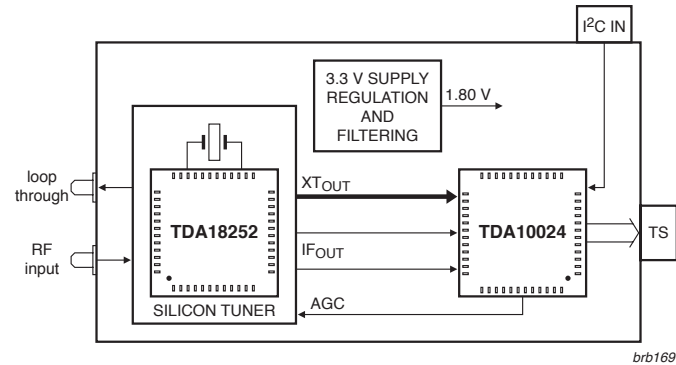
NXP offers a number of complete reference designs based on the TDA18252HN, further reducing your time and effort when developing new set-top box solutions.

Key parameters

Parameter	Value (typical)
Frequency range	41 – 1002 MHz
Noise figure	7 dB
Phase noise	-85 dBc @ 10 kHz
Power dissipation	800 mW
CSO/CTB	57/63 dBc
Image rejection	60 dBc
Low leakage	8 dB μ V

Front-end OM3853C/C1 reference design

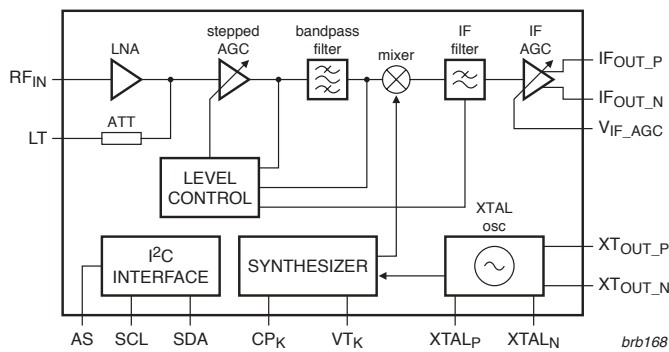
NXP's OM3853/C1 single channel digital cable front-end reference design helps cable STB makers in China develop straightforward and cost effective receivers. Along with our TDA18252HN – incorporating low-profile shielding for EMI protection – it also features the QAM demodulator TDA10024HN. The TDA10024HN controls the tuner gain by delivering the AGC control voltage. For the QAM demodulator, an on-board 1.80 V supply voltage is available.



1/2 NIM OM3865C/C1 reference design

Our OM3865/C1 lets you quickly evaluate the TDA18252HN in your existing STB platforms. It is pin-to-pin compatible with conventional can tuners currently used in the Chinese market.

TDA18252 block diagram



www.nxp.com



© 2008 NXP B.V.

All rights reserved. Reproduction in whole or in part is prohibited without the prior written consent of the copyright owner. The information presented in this document does not form part of any quotation or contract, is believed to be accurate and reliable and may be changed without notice. No liability will be accepted by the publisher for any consequence of its use. Publication thereof does not convey nor imply any license under patent- or other industrial or intellectual property rights.

Date of release: March 2008
 Document order number: 9397 750 16486
 Printed in the Netherlands