



Chipsmall Limited consists of a professional team with an average of over 10 year of expertise in the distribution of electronic components. Based in Hongkong, we have already established firm and mutual-benefit business relationships with customers from,Europe,America and south Asia,supplying obsolete and hard-to-find components to meet their specific needs.

With the principle of "Quality Parts,Customers Priority,Honest Operation,and Considerate Service",our business mainly focus on the distribution of electronic components. Line cards we deal with include Microchip,ALPS,ROHM,Xilinx,Pulse,ON,Everlight and Freescale. Main products comprise IC,Modules,Potentiometer,IC Socket,Relay,Connector.Our parts cover such applications as commercial,industrial, and automotives areas.

We are looking forward to setting up business relationship with you and hope to provide you with the best service and solution. Let us make a better world for our industry!



Contact us

Tel: +86-755-8981 8866 Fax: +86-755-8427 6832

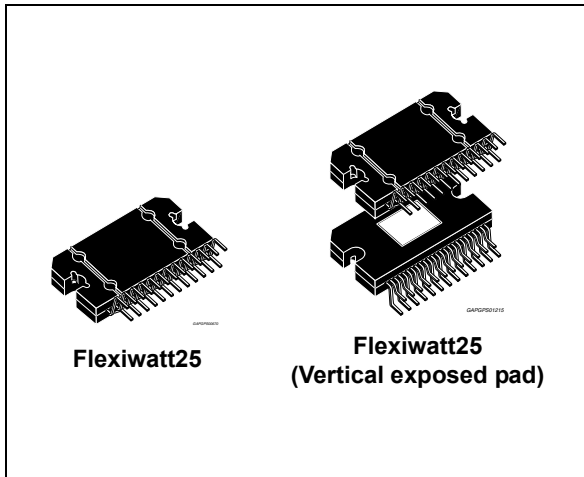
Email & Skype: info@chipsmall.com Web: www.chipsmall.com

Address: A1208, Overseas Decoration Building, #122 Zhenhua RD., Futian, Shenzhen, China



4 x 41 W quad bridge car radio amplifier

Datasheet - production data



- Low external component count:
 - Internally fixed gain (26 dB)
 - No external compensation
 - No bootstrap capacitors
- Protections:
 - Output short circuit to GND, to V_S , across the load
 - Very inductive loads
 - Overrating chip temperature with soft thermal limiter
 - Load dump voltage
 - Fortuitous open GND
 - Reversed battery
 - ESD

Features

- High output power capability:
 - 4 x 41 W / 4 Ω max.
- Low distortion
- Low output noise
- Standby function
- Mute function
- Automute at min. supply voltage detection

Description

The TDA7387 is an AB class audio power amplifier, packaged in Flexiwatt 25 and designed for high end car radio applications.

Based on a fully complementary PNP/NPN configuration, the TDA7387 allows a rail to rail output voltage swing with no need of bootstrap capacitors. The extremely reduced boundary components count allows very compact sets.

Table 1. Device summary

Order code	Package	Packing
TDA7387	Flexiwatt25	Tube
TDA7387EP	Flexiwatt25 vertical, exposed pad	Tube
TDA7387EPAG	Flexiwatt25 vertical, exposed pad	Tube

Contents

- 1 Block and pin connection diagrams 5**

- 2 Electrical specifications 6**
 - 2.1 Absolute maximum ratings 6
 - 2.2 Thermal data 6
 - 2.3 Electrical characteristics 6
 - 2.4 PCB and component layout 8
 - 2.5 Electrical characteristics curves 9

- 3 Application hints 10**
 - 3.1 Biasing and SVR 10
 - 3.2 Input stage 10
 - 3.3 Standby and muting 11
 - 3.4 Stability and layout considerations 11

- 4 Package information 12**

- 5 Revision history 14**

List of tables

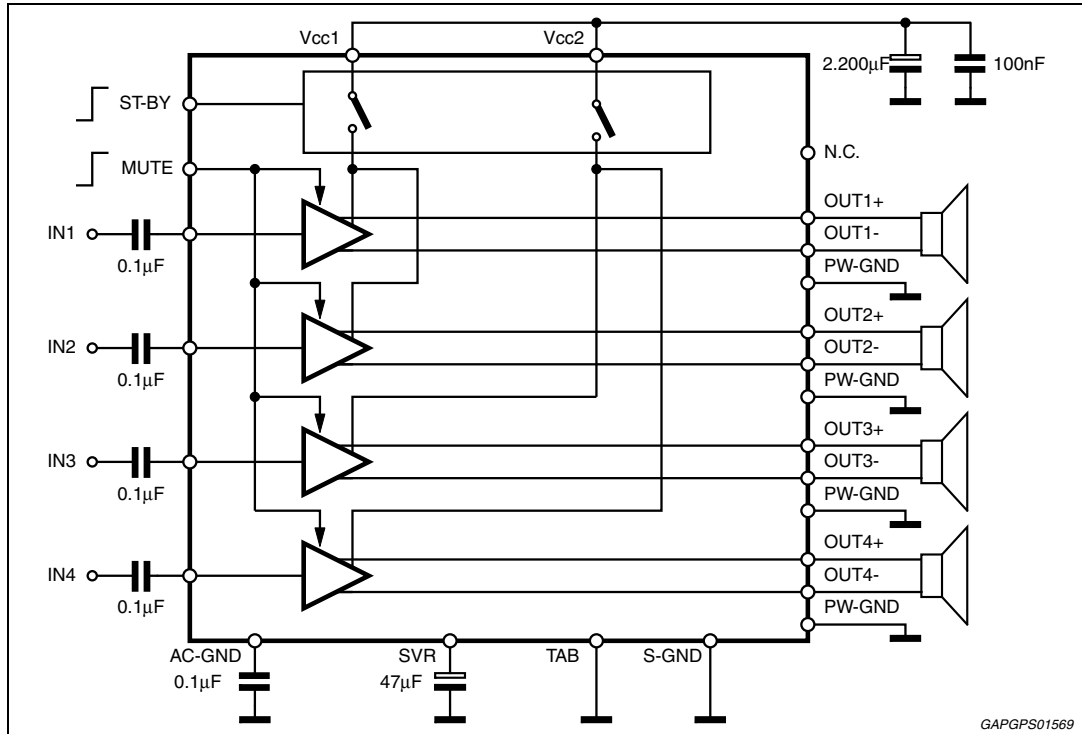
Table 1.	Device summary	1
Table 2.	Absolute maximum ratings	6
Table 3.	Thermal data	6
Table 4.	Electrical characteristics	6
Table 5.	Document revision history	14

List of figures

Figure 1.	Block diagram	5
Figure 2.	Pin connection (top view)	5
Figure 3.	Standard test and application circuit	7
Figure 4.	Components and top copper layer	8
Figure 5.	Bottom copper layer	8
Figure 6.	Quiescent current vs. supply voltage	9
Figure 7.	Quiescent output voltage vs. supply voltage	9
Figure 8.	Output power vs. supply voltage (4Ω)	9
Figure 9.	Distortion vs. output power	9
Figure 10.	Distortion vs. frequency	9
Figure 11.	Power dissipation and efficiency vs. output power	9
Figure 12.	Input/output biasing	10
Figure 13.	Flexiwatt25 mechanical data and package dimensions	12
Figure 14.	Flexiwatt25 mechanical data and package dimensions	13

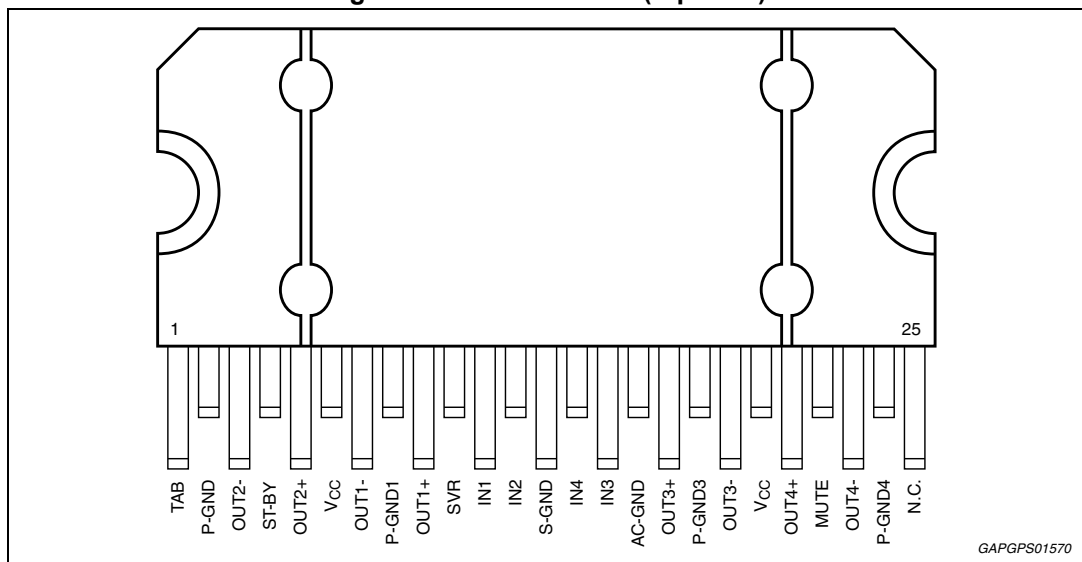
1 Block and pin connection diagrams

Figure 1. Block diagram



GAPGPS01569

Figure 2. Pin connection (top view)



GAPGPS01570

2 Electrical specifications

2.1 Absolute maximum ratings

Table 2. Absolute maximum ratings

Symbol	Parameter	Value	Unit
V_S	Operating supply voltage	18	V
$V_{S(DC)}$	DC supply voltage	28	V
$V_{S(pk)}$	Peak supply voltage (t = 50 ms)	50	V
I_O	Output peak current: Repetitive (duty cycle 10 % at f = 10 Hz)	4.5	A
	Non repetitive (t = 100 μ s)	5.5	A
P_{tot}	Power dissipation, ($T_{case} = 70\text{ }^\circ\text{C}$)	80	W
T_j	Junction temperature	150	$^\circ\text{C}$
T_{stg}	Storage temperature	- 55 to 150	$^\circ\text{C}$

2.2 Thermal data

Table 3. Thermal data

Symbol	Parameter	Value	Unit
$R_{th\ j-case}$	Thermal resistance junction-to-case max. TDA7387	1	$^\circ\text{C/W}$
	TDA7387EP/EPAG	1.3	
T_{amb}	Operative temperature range TDA7387EP	-30 to +85	$^\circ\text{C}$
	Operative temperature range TDA7387, TDA7387EPAG	-40 to +105	$^\circ\text{C}$

2.3 Electrical characteristics

$V_S = 14.4\text{ V}$; $f = 1\text{ kHz}$; $R_g = 600\ \Omega$; $R_L = 4\ \Omega$; $T_{amb} = 25\text{ }^\circ\text{C}$; Refer to the test and application diagram ([Figure 3](#)), unless otherwise specified.

Table 4. Electrical characteristics

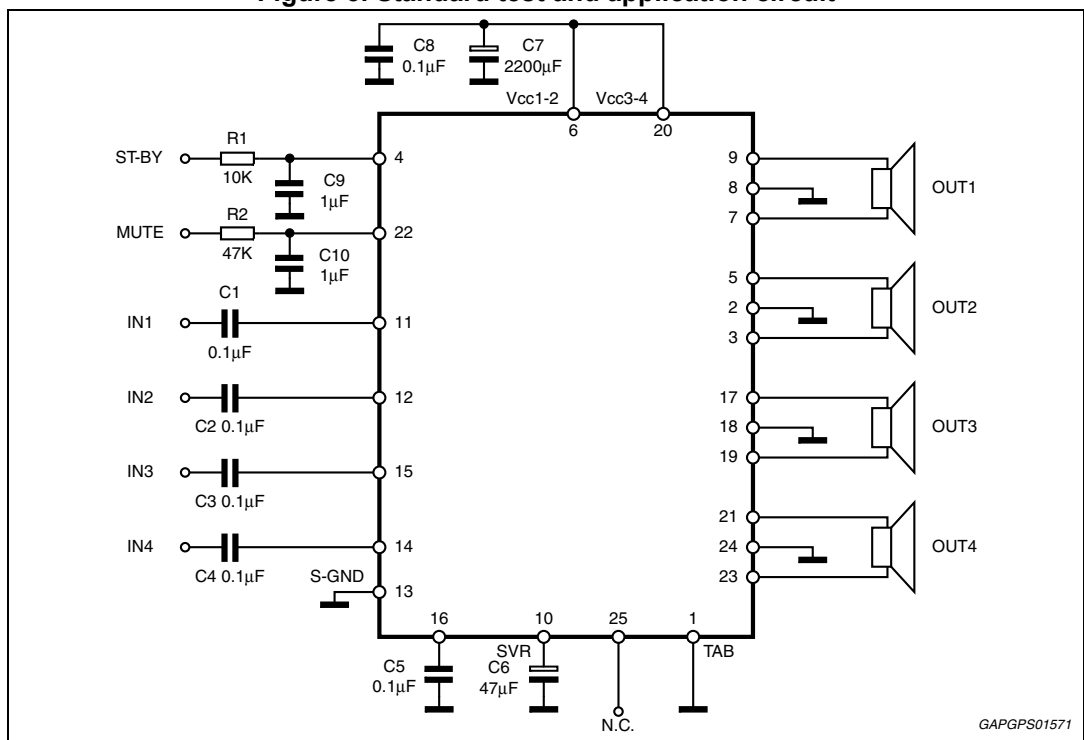
Symbol	Parameter	Test condition	Min.	Typ.	Max.	Unit
I_{q1}	Quiescent current	-	-	180	300	mA
V_{OS}	Output offset voltage	-	-	-	100	mV
G_v	Voltage gain	-	25	26	27	dB
P_o	Output power	THD = 10%	20	22	-	W
		THD = 1%	-	18	-	

Table 4. Electrical characteristics (continued)

Symbol	Parameter	Test condition	Min.	Typ.	Max.	Unit
$P_{O\ max.}$	Max. output power (1)	$V_S = 14.4\ V$	33	37	-	W
		$V_S = 15.2\ V$	-	41	-	
THD	Distortion	$P_O = 4\ W$	-	0.04	0.3	%
e_{No}	Output noise	"A" Weighted; Bw = 20 Hz to 20 kHz	-	50 65	150	μV μV
SVR	Supply voltage rejection	$f = 100\ Hz$	50	65	-	dB
f_{cl}	Low cut-off frequency	-	-	20	-	Hz
f_{ch}	High cut-off frequency	-	75	-	-	kHz
R_i	Input impedance	-	70	100	-	k Ω
C_T	Cross talk	$f = 1\ kHz$	50	70	-	dB
I_{SB}	Standby current consumption	$V_{standby} = 0\ V$	-	-	15	μA
$V_{SB\ out}$	Standby out threshold voltage	(Amp: on)	3.5	-	-	V
$V_{SB\ in}$	Standby in threshold voltage	(Amp: off)	-	-	1.5	V
A_M	Mute attenuation	$V_O = 1V_{rms}$	80	90	-	dB
$V_{M\ out}$	Mute out threshold voltage	(Amp: play)	3.5	-	-	V
$V_{M\ in}$	Mute in threshold voltage	(Amp: mute)	-	-	1.5	V
$I_m(L)$	Muting pin current	$V_{MUTE} = 1.5\ V$ (source current)	5	10	16	μA

1. Saturated square wave output.

Figure 3. Standard test and application circuit



2.4 PCB and component layout

Refer to [Figure 3: Standard test and application circuit](#).

Figure 4. Components and top copper layer

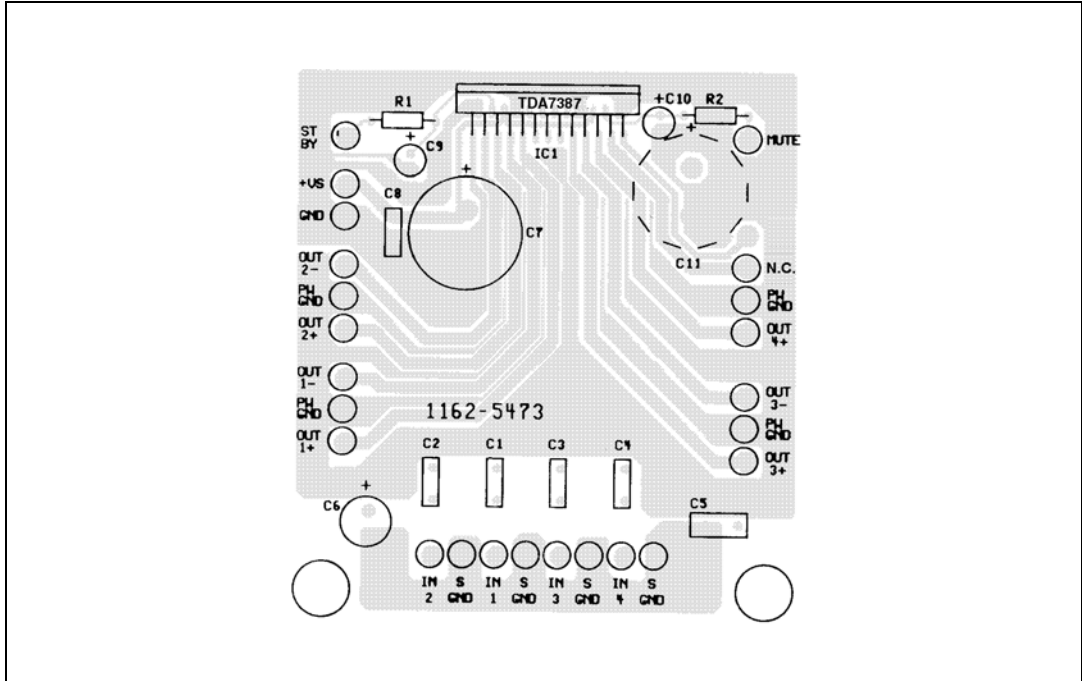
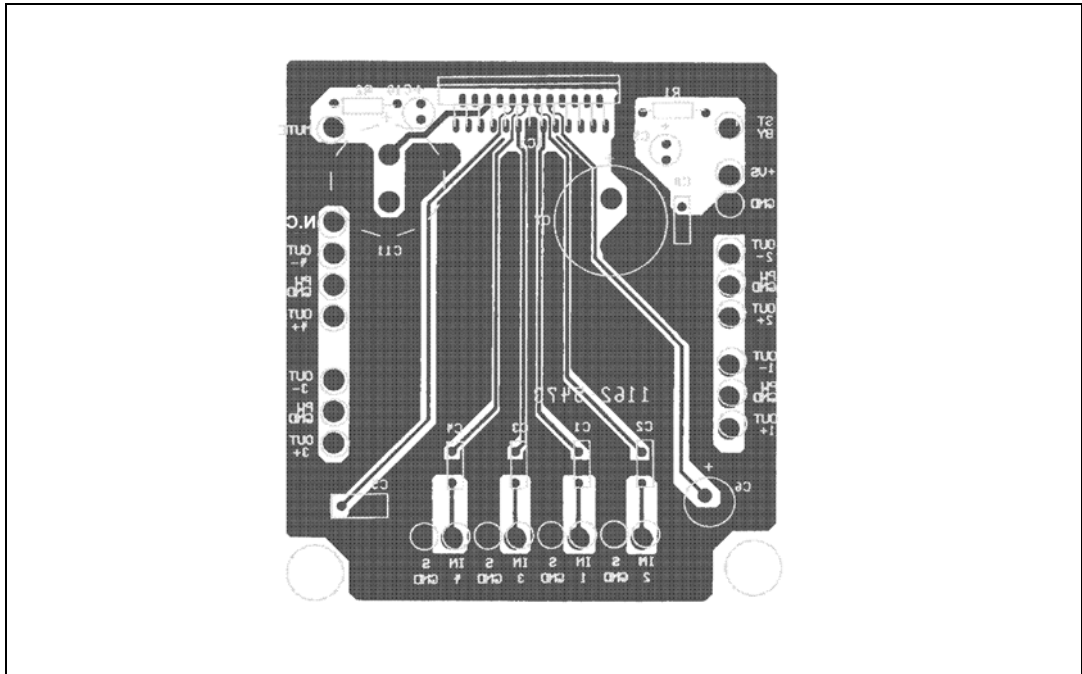


Figure 5. Bottom copper layer



2.5 Electrical characteristics curves

Figure 6. Quiescent current vs. supply voltage Figure 7. Quiescent output voltage vs. supply voltage

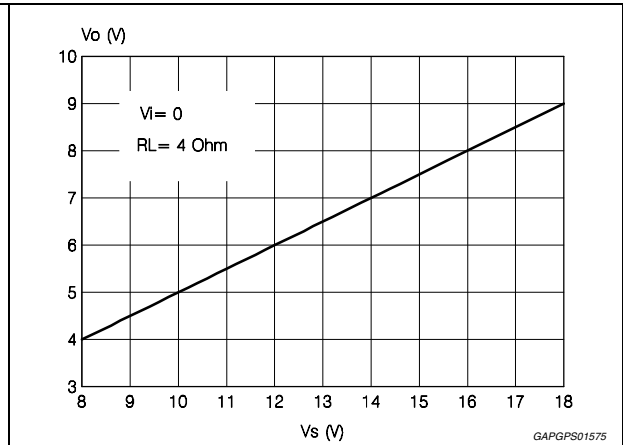
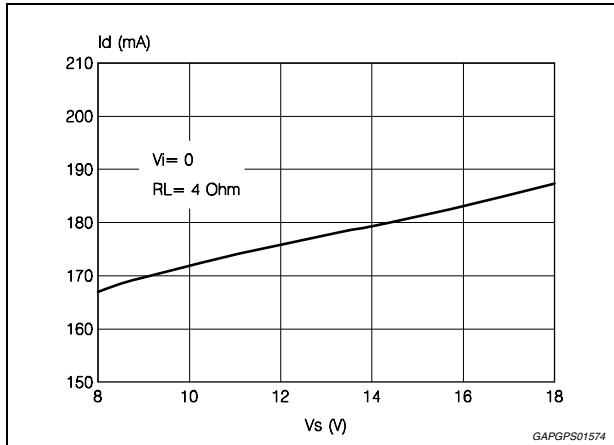


Figure 8. Output power vs. supply voltage (4Ω)

Figure 9. Distortion vs. output power

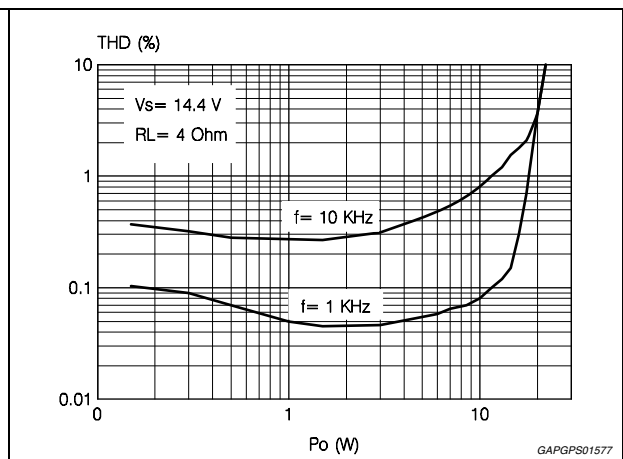
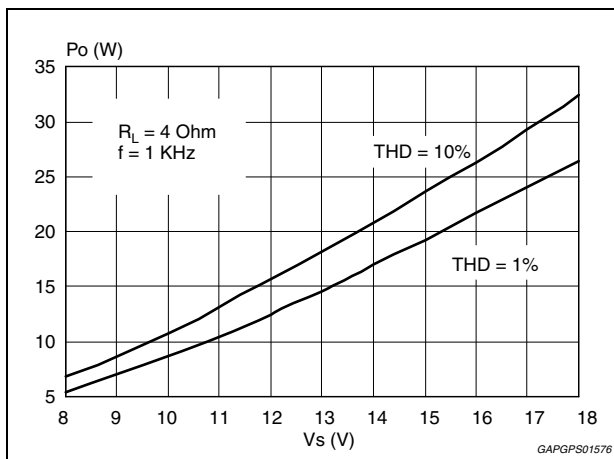
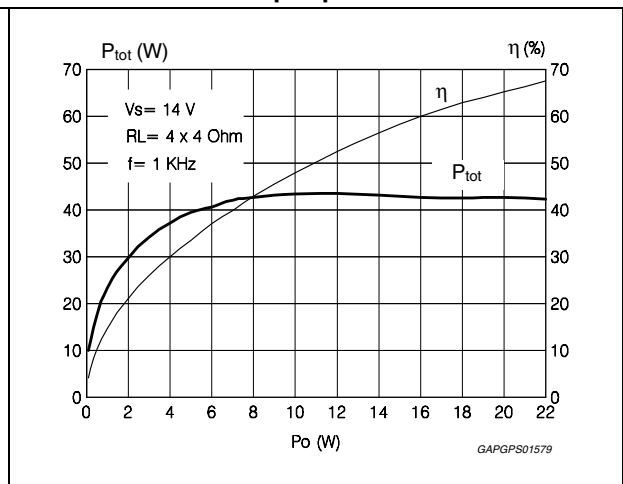
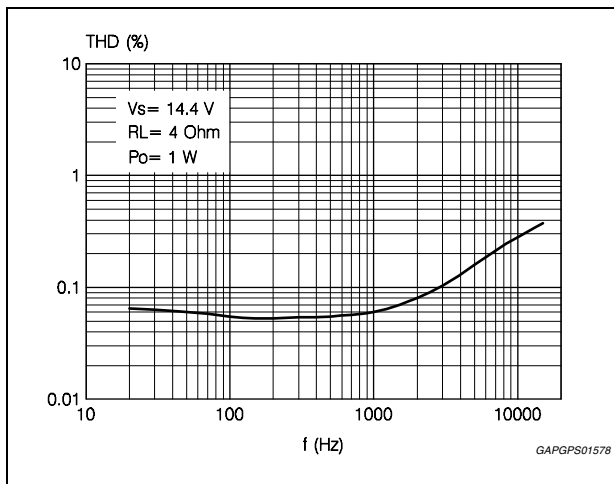


Figure 10. Distortion vs. frequency

Figure 11. Power dissipation and efficiency vs. output power



3 Application hints

Refer to [Figure 3](#).

3.1 Biasing and SVR

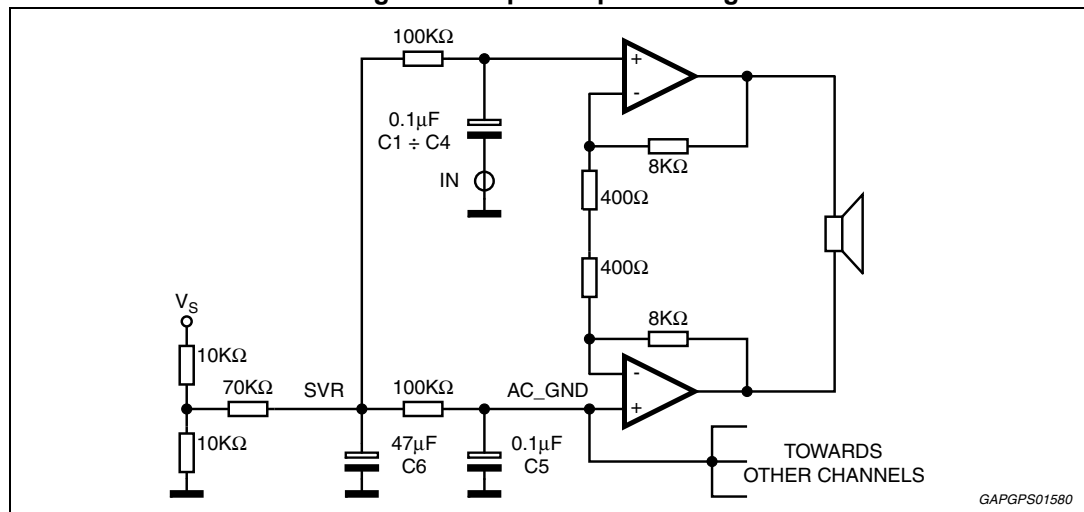
As shown in [Figure 12](#), all the TDA7387's main sections, such as Inputs, Outputs AND AC-GND (pin 16) are internally biased at half supply voltage level ($V_s/2$), coming from the Supply Voltage Rejection (SVR) block. In this way no current flows through the internal feedback network. The AC-GND is common to all the 4 amplifiers and represents the connection point of all the inverting inputs.

Both individual inputs and AC-GND are connected to $V_s/2$ (SVR) by means of 100 kΩ resistors.

To ensure proper operation and high supply voltage rejection, it is of fundamental importance to provide a good impedance matching between Inputs and AC-GROUND terminations. This implies that **C₁, C₂, C₃, C₄, C₅ capacitors have to carry the same nominal value and their tolerance should never exceed ± 10 %**.

Besides its contribution to the ripple rejection, the SVR capacitor controls the turn ON/OFF time sequence and, consequently, plays an essential role in the pop optimization during ON/OFF transients. To conveniently serve both needs, **its minimum recommended value is 10µF**.

Figure 12. Input/output biasing.



3.2 Input stage

The TDA7387's inputs are ground-compatible and can stand very high input signals (± 8 Vpk) without any performances degradation.

If the standard value for the input capacitors (0.1 µF) is adopted, the low frequency cut-off turns out to be 16 Hz.

3.3 Standby and muting

Standby and muting facilities are both CMOS-compatible. If unused, a straight connection to Vs of their respective pins would be admissible. Conventional low-power transistors can be used to drive muting and stand-by pins in absence of true CMOS ports or microprocessors. R-C cells have always to be used in order to smooth down the transitions for preventing any audible transient noises.

Since a DC current of about 10 μA normally flows out of pin 22, the maximum allowable muting-series resistance (R_2) is 70 k Ω , which is sufficiently high to allow a muting capacitor reasonably small (about 1 μF).

If R_2 is higher than recommended, the involved risk is that the voltage at pin 22 may rise to above the 1.5 V threshold voltage and the device is consequently fails to turn OFF when the mute line is brought down.

About the stand-by, the time constant to be assigned in order to obtain a virtually pop-free transition has to be slower than 2.5 V/ms.

3.4 Stability and layout considerations

If properly layouted and hooked to standard car-radio speakers, the TDA7387 is intrinsically stable with no need of external compensations such as output R-C cells. Due to the high number of channels involved, this translates into a very remarkable components saving if compared to similar devices on the market.

To simplify pc-board layout design, each amplifier stage has its own power ground externally accessible (pins 2,8,18,24) and one supply voltage pin for each couple of them. Even more important, this makes it possible to achieve the highest possible degree of separation among the channels, with remarkable benefits in terms of cross-talk and distortion features.

About the layout grounding, it is particularly important to connect the AC-GND capacitor (C_5) to the signal GND, as close as possible to the audio inputs ground: this guarantees high rejection of any common mode spurious signal.

The SVR capacitor (C_6) has also to be connected to the signal GND.

Supply filtering elements (C_7 , C_8) have naturally to be connected to the power-ground and located as close as possible to the Vs pins.

Pin 1, which is mechanically attached to the device's tab, needs to be tied to the cleanest power ground point in the pc-board, which is generally near the supply filtering capacitors.

The exposed pad package doesn't require any particular care compared to the ST standard flexiwatt package. For particular PCB configurations, in order to maximize the rejection against any disturbances coming from the battery line (SVR), it is suggested to use one of the following IC metal slug (heat-sink) connections:

- leave the slug simply electrically isolated from the PCB ground;
- in case of 2 layers board, connect the slug to the PCB power ground (P-GND) and not to the signal ground (S-GND);
- in case of a PCB with a layer dedicated to grounding (wide / diffused GND area with no distinction between P-GND and S-GND) connect the slug to the common board ground.

4 Package information

In order to meet environmental requirements, ST offers these devices in different grades of ECOPACK® packages, depending on their level of environmental compliance. ECOPACK® specifications, grade definitions and product status are available at: www.st.com.

ECOPACK® is an ST trademark.

Figure 13. Flexiwatt25 mechanical data and package dimensions

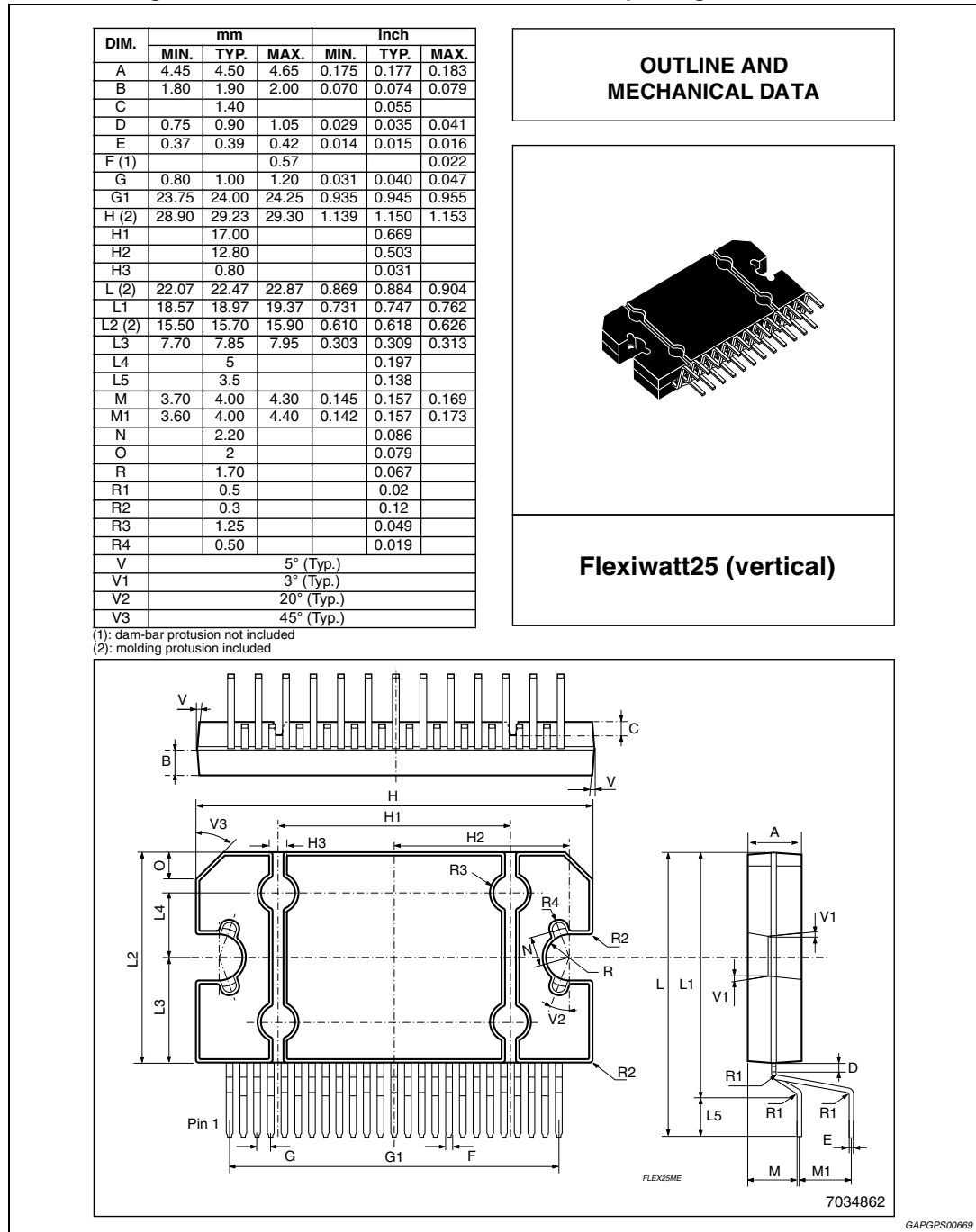
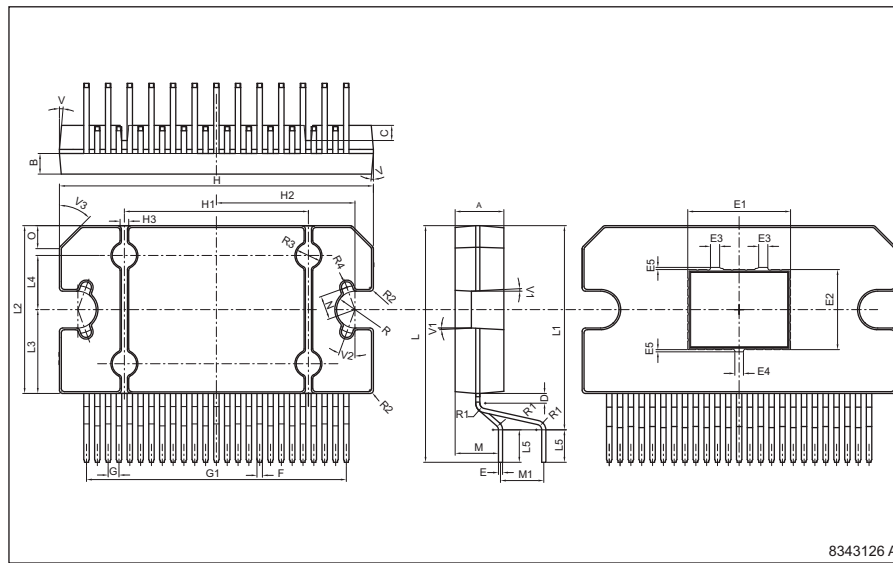
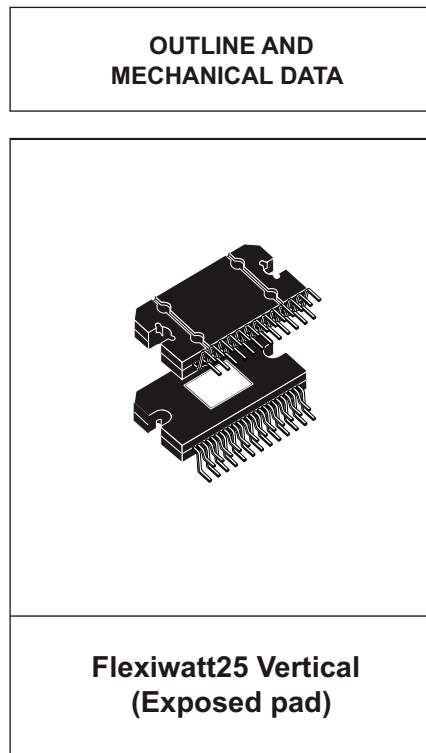


Figure 14. Flexiwatt25 mechanical data and package dimensions

DIM.	mm			inch		
	MIN.	TYP.	MAX.	MIN.	TYP.	MAX.
A	4.450	4.500	4.650	0.1752	0.1772	0.1831
B	1.800	1.900	2.000	0.0709	0.0748	0.0787
C		1.400			0.0551	
D	0.750	0.900	1.050	0.0295	0.0354	0.0413
E	0.370	0.390	0.420	0.0146	0.0154	0.0165
E1	9.480	9.500	9.530	0.3732	0.3740	0.3752
E2	7.380	7.400	7.430	0.2906	0.2913	0.2925
E3	0.850			0.0335		
E4	0.500			0.0197		
E5			0.200			0.0079
F (*)			0.570			0.0224
G	0.800	1.000	1.200	0.0315	0.0394	0.0472
G1	23.750	24.000	24.250	0.9350	0.9449	0.9547
H (**)	28.900	29.230	29.300	1.1378	1.1508	1.1535
H1		17.000			0.6693	
H2		12.800			0.5039	
H3		0.800			0.0315	
L (**)	22.070	22.470	22.870	0.8689	0.8846	0.9004
L1	18.570	18.970	19.370	0.7311	0.7469	0.7626
L2 (**)	15.500	15.700	15.900	0.6102	0.6181	0.6260
L3	7.700	7.850	7.950	0.3031	0.3091	0.3130
L4		5.000			0.1969	
L5		3.500			0.1378	
M	3.700	4.000	4.300	0.1457	0.1575	0.1693
M1	3.600	4.000	4.400	0.1417	0.1575	0.1732
N		2.200			0.0866	
O		2.000			0.0787	
R		1.700			0.0669	
R1		0.500			0.0197	
R2		0.300			0.0118	
R3		1.250			0.0492	
R4		0.500			0.0197	
V5				5° (Typ.)		
V1				3° (Typ.)		
V2				20° (Typ.)		
V3				45° (Typ.)		

(*) Dimension "F" dam-bar protrusion not included.
(**) Dimensions H, L, L2: molding protrusion included.



8343126 A

GAPGPS01225

5 Revision history

Table 5. Document revision history

Date	Revision	Changes
09-Apr-2013	1	Initial release.
18-Sep-2013	2	Updated Disclaimer.

Please Read Carefully:

Information in this document is provided solely in connection with ST products. STMicroelectronics NV and its subsidiaries ("ST") reserve the right to make changes, corrections, modifications or improvements, to this document, and the products and services described herein at any time, without notice.

All ST products are sold pursuant to ST's terms and conditions of sale.

Purchasers are solely responsible for the choice, selection and use of the ST products and services described herein, and ST assumes no liability whatsoever relating to the choice, selection or use of the ST products and services described herein.

No license, express or implied, by estoppel or otherwise, to any intellectual property rights is granted under this document. If any part of this document refers to any third party products or services it shall not be deemed a license grant by ST for the use of such third party products or services, or any intellectual property contained therein or considered as a warranty covering the use in any manner whatsoever of such third party products or services or any intellectual property contained therein.

UNLESS OTHERWISE SET FORTH IN ST'S TERMS AND CONDITIONS OF SALE ST DISCLAIMS ANY EXPRESS OR IMPLIED WARRANTY WITH RESPECT TO THE USE AND/OR SALE OF ST PRODUCTS INCLUDING WITHOUT LIMITATION IMPLIED WARRANTIES OF MERCHANTABILITY, FITNESS FOR A PARTICULAR PURPOSE (AND THEIR EQUIVALENTS UNDER THE LAWS OF ANY JURISDICTION), OR INFRINGEMENT OF ANY PATENT, COPYRIGHT OR OTHER INTELLECTUAL PROPERTY RIGHT.

ST PRODUCTS ARE NOT DESIGNED OR AUTHORIZED FOR USE IN: (A) SAFETY CRITICAL APPLICATIONS SUCH AS LIFE SUPPORTING, ACTIVE IMPLANTED DEVICES OR SYSTEMS WITH PRODUCT FUNCTIONAL SAFETY REQUIREMENTS; (B) AERONAUTIC APPLICATIONS; (C) AUTOMOTIVE APPLICATIONS OR ENVIRONMENTS, AND/OR (D) AEROSPACE APPLICATIONS OR ENVIRONMENTS. WHERE ST PRODUCTS ARE NOT DESIGNED FOR SUCH USE, THE PURCHASER SHALL USE PRODUCTS AT PURCHASER'S SOLE RISK, EVEN IF ST HAS BEEN INFORMED IN WRITING OF SUCH USAGE, UNLESS A PRODUCT IS EXPRESSLY DESIGNATED BY ST AS BEING INTENDED FOR "AUTOMOTIVE, AUTOMOTIVE SAFETY OR MEDICAL" INDUSTRY DOMAINS ACCORDING TO ST PRODUCT DESIGN SPECIFICATIONS. PRODUCTS FORMALLY ESCC, QML OR JAN QUALIFIED ARE DEEMED SUITABLE FOR USE IN AEROSPACE BY THE CORRESPONDING GOVERNMENTAL AGENCY.

Resale of ST products with provisions different from the statements and/or technical features set forth in this document shall immediately void any warranty granted by ST for the ST product or service described herein and shall not create or extend in any manner whatsoever, any liability of ST.

ST and the ST logo are trademarks or registered trademarks of ST in various countries.

Information in this document supersedes and replaces all information previously supplied.

The ST logo is a registered trademark of STMicroelectronics. All other names are the property of their respective owners.

© 2013 STMicroelectronics - All rights reserved

STMicroelectronics group of companies

Australia - Belgium - Brazil - Canada - China - Czech Republic - Finland - France - Germany - Hong Kong - India - Israel - Italy - Japan - Malaysia - Malta - Morocco - Philippines - Singapore - Spain - Sweden - Switzerland - United Kingdom - United States of America

www.st.com

