



Chipsmall Limited consists of a professional team with an average of over 10 year of expertise in the distribution of electronic components. Based in Hongkong, we have already established firm and mutual-benefit business relationships with customers from,Europe,America and south Asia,supplying obsolete and hard-to-find components to meet their specific needs.

With the principle of “Quality Parts,Customers Priority,Honest Operation,and Considerate Service”,our business mainly focus on the distribution of electronic components. Line cards we deal with include Microchip,ALPS,ROHM,Xilinx,Pulse,ON,Everlight and Freescale. Main products comprise IC,Modules,Potentiometer,IC Socket,Relay,Connector.Our parts cover such applications as commercial,industrial, and automotives areas.

We are looking forward to setting up business relationship with you and hope to provide you with the best service and solution. Let us make a better world for our industry!



## Contact us

Tel: +86-755-8981 8866 Fax: +86-755-8427 6832

Email & Skype: info@chipsmall.com Web: www.chipsmall.com

Address: A1208, Overseas Decoration Building, #122 Zhenhua RD., Futian, Shenzhen, China





# TDA7465

## DIGITALLY CONTROLLED AUDIO PROCESSOR WITH SRS SURROUND SOUND AND VOICE CANCELLER



everything else is only stereo™

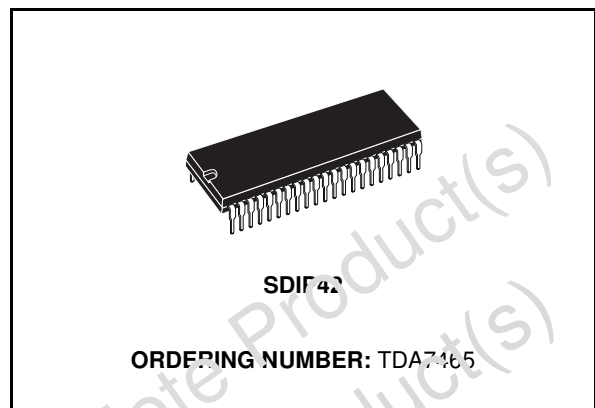
The Device incorporates the SRS WOW® Technology under licence from SRS Labs, Inc.

- 1 STEREO INPUT AND 1 MIXER INPUT
- INPUT ATTENUATION CONTROL IN 0.5dB STEP
- TREBLE MIDDLE AND BASS CONTROL
- VOICE CANCELLER IS AVAILABLE
- STEREO SRS SURROUND SOUND WITH CENTER & SPACE CONTROL IS AVAILABLE
- THREE STANDARD SURROUND MODES ARE AVAILABLE:
  - MUSIC IN 4 DIFFERENT SELECTABLE RESPONSES
  - MOVIE AND SIMULATED IN 256 DIFFERENT SELECTABLE RESPONSES
- REAR OUTPUT IS AVAILABLE TO DRIVE EXTRA SURROUND SPEAKERS
- 2 SPEAKERS OUTPUTS
  - INDEPENDENT ATTENUATORS IN 1dB STEP FOR BALANCE FACILITY
  - ZERO CROSSING ATTENUATION AVAILABLE
  - INDEPENDENT MUTE FUNCTION
- 2 RECORD OUTPUTS
  - INDEPENDENT ATTENUATORS IN 1dB STEP FOR BALANCE FACILITY
  - MUX AVAILABLE FOR PROCESSES SIGNAL SELECTION
  - INDEPENDENT MUTE FUNCTION
- ALL FUNCTIONS PROGRAMMABLE VIA SERIAL BUS
- ADDRESS PIN AVAILABLE

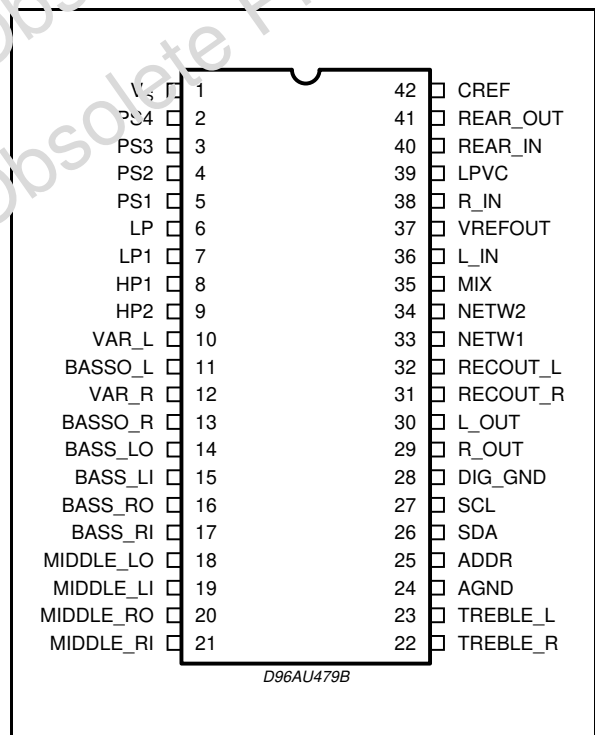
### DESCRIPTION

The TDA7465 is a volume tone (bass middle and treble) balance (Left/Right) processors with stereo SRS and voice canceller for quality audio applications in car radio, Hi-Fi, TV systems.

It reproduces SRS (Sound Retrieval System) sound by external components and surround sound by using phase shifters and a signal matrix. The AC signal setting is obtained by resistor networks and switches combined with operational amplifiers according to the SRS laboratories specification. An Extra Mix Input is available to



### PIN CONNECTION



connect microphone for KARAOKE feature. Control of all the functions is accomplished by serial bus.

Thanks to the used BIPOLAR/CMOS Technology, Low Distortion, Low Noise and DC stepping are obtained.



## THERMAL DATA

Symbol	Description	Value	Unit
$R_{th\ j-pins}$	Thermal Resistance Junction-pins	Max. 85	°C/W

## ABSOLUTE MAXIMUM RATINGS

Symbol	Parameter	Value	Unit
$V_S$	Operating Supply Voltage	11	V
$T_{amb}$	Operating Ambient Temperature	-10 to 85	°C
$T_{stg}$	Storage Temperature Range	-55 to +150	°C

## QUICK REFERENCE DATA

Symbol	Parameter	Min.	Typ.	Max.	Unit
$V_S$	Supply Voltage	7	9	10.2	V
$V_{CL}$	Max. input signal handling	2			Vrms
THD	Total Harmonic Distortion $V = 1V_{rms}$ $f = 1KHz$		0.01	0.1	%
S/N	Signal to Noise Ratio $V_{out} = 1V_{rms}$ (mode = OFF)		106		dB
$S_C$	Channel Separation $f = 1KHz$		90		dB
	Input Attenuation Control (0.5dB)	-31.5		0	dB
	Treble Control (2db step)	-14		+14	dB
	Middle Control (2db step)	-14		+14	dB
	Bass Control (2dB step)	-14		+14	dB
	Balance Control 1dB step (Lch, Rch)	-79		0	dB
	Mute Attenuation		100		dB

**ELECTRICAL CHARACTERISTICS** (refer to the test circuit  $T_{amb} = 25^\circ C$ ,  $V_S = 9V$ ,  $R_L = 10K\Omega$ ,  $V_{in} = 1V_{rms}$ ;  $R_G = 600\Omega$ , all controls flat (G = 0dB), Effect Ctrl = -6dB, MODE = OFF;  $f = 1KHz$  unless otherwise specified)

Symbol	Parameter	Test Condition	Min.	Typ.	Max.	Unit
--------	-----------	----------------	------	------	------	------

## SUPPLY

$V_S$	Supply Voltage		7	9	10.2	V
$I_S$	Supply Current			25		mA
SVR	Ripple Rejection	LCH / RCH out, Mode = OFF	60	80		dB

## INPUT STAGE

$R_{IN}$	Input Resistance		37.5	50	62.5	K $\Omega$
$V_{CL}$	Clipping Level	THD = 0.3%	2	2.5		Vrms
$A_{RANGE}$	Attenuation Range			31.5		dB
$A_{VMIN}$	Min. Attenuation		-1	0	1	dB
$A_{VMAX}$	Max. Attenuation		31	31.5	32	dB
$A_{STEP}$	Step Resolution		-1	0.5	1	dB
$V_{DC}$	DC Steps	Adjacent att. step	-3	0	3	mV
$A_{VO1}$	Voice Canceller Output 1	$L_{IN} = R_{IN}$ , $R_{IN} = ON$ , $V_{mix} = 0V\ FIX$ , 0dB attenuation	5	6	7	dB
$A_{VO2}$	Voice Canceller Output 2	$L_{IN} = R_{IN} = 0V$ $V_{mix} = 1V_{rms}\ FIX$ , 0dB attenuation	-1	0	1	dB

## ELECTRICAL CHARACTERISTICS (continued)

Symbol	Parameter	Test Condition	Min.	Typ.	Max.	Unit
<b>SUPPLY</b>						
A <sub>VO3</sub>	Voice Canceller Output 3	L <sub>IN</sub> = -R <sub>IN</sub> , V <sub>mix</sub> = 0V FIX, 0dB attenuation	5	6	7	dB
R <sub>LPV</sub>	Low Pass Filter Resistance		24	32	40	KΩ
R <sub>MIX</sub>	Input Impedance		75	100	125	KΩ
<b>BASS CONTROL</b>						
G <sub>b</sub>	Control Range	Max. Boost/cut	±12.0	±14.0	±16.0	dB
B <sub>STEP</sub>	Step Resolution		1	2	3	dB
R <sub>B</sub>	Internal Feedback Resistance		33	44	55	KΩ
<b>MIDDLE CONTROL</b>						
G <sub>m</sub>	Control Range	Max. Boost/cut	±12.0	±14.0	±16.0	dB
M <sub>STEP</sub>	Step Resolution		1	2	3	dB
R <sub>M</sub>	Internal Feedback Resistance		18.75	25	31.25	KΩ
<b>TREBLE CONTROL</b>						
G <sub>t</sub>	Control Range	Max. Boost/cut	±13.0	±14.0	±15.0	dB
T <sub>STEP</sub>	Step Resolution		1	2	3	dB

## STANDARD SURROUND SOUND MATRIX

TEST CONDITION (Phase Resistor Selection D0=0, D1=1, D2=0, D3=1, D4=0, D5=1, D6=0, D7=1)

Symbol	Parameter	Test Condition	Min.	Typ.	Max.	Unit
G <sub>OFF</sub>	In-phase Gain (OFF)	Mode OFF, Input signal of 1kHz, 1.4 V <sub>p-p</sub> , R <sub>in</sub> → R <sub>out</sub> L <sub>in</sub> → L <sub>out</sub>	-1	0	1	dB
D <sub>G<sub>OFF</sub></sub>	LR In-phase Gain Difference (OFF)	Mode OFF, Input signal of 1kHz, 1.4 V <sub>p-p</sub> R <sub>in</sub> → R <sub>out</sub> , L <sub>in</sub> → L <sub>out</sub>	-1	0	1	dB
G <sub>MOV</sub>	In-phase Gain (Movie)	Movie mode, Effect Ctrl = -6dB Input signal of 1kHz, 1.4 V <sub>p-p</sub> R <sub>in</sub> → R <sub>out</sub> , L <sub>in</sub> → L <sub>out</sub>		8		dB
D <sub>G<sub>MOV</sub></sub>	LR In-phase Gain Difference (Movie)	Movie mode, Effect Ctrl = -6dB Input signal of 1kHz, 1.4 V <sub>p-p</sub> (R <sub>in</sub> → R <sub>out</sub> ) - (L <sub>in</sub> → L <sub>out</sub> )		0		dB
G <sub>MUS</sub>	In-phase Gain (Music)	Music mode, Effect Ctrl = -6dB Input signal of 1kHz, 1.4 V <sub>p-p</sub> (R <sub>in</sub> → R <sub>out</sub> ), (L <sub>in</sub> → L <sub>out</sub> )		7		dB
D <sub>G<sub>MUS</sub></sub>	LR In-phase Gain Difference (Music)	Music mode, Effect Ctrl = -6dB Input signal of 1kHz, 1.4 V <sub>p-p</sub> (R <sub>in</sub> → R <sub>out</sub> ) - (L <sub>in</sub> → L <sub>out</sub> )		0		dB
L <sub>MON1</sub>	Simulated L Output 1	Simulated Mode, Effect Ctrl = -6dB Input signal of 250Hz, 1.4 V <sub>p-p</sub> , R <sub>in</sub> and L <sub>in</sub> → L <sub>out</sub>		4.5		dB
L <sub>MON2</sub>	Simulated L Output 2	Simulated Mode, Effect Ctrl = -6dB Input signal of 1kHz, 1.4 V <sub>p-p</sub> , R <sub>in</sub> and L <sub>in</sub> → L <sub>out</sub>		-4.0		dB
L <sub>MON3</sub>	Simulated L Output 3	Simulated Mode, Effect Ctrl = - 6dB Input signal of 3.6kHz, 1.4 V <sub>p-p</sub> , R <sub>in</sub> and L <sub>in</sub> → L <sub>out</sub>		7.0		dB

## ELECTRICAL CHARACTERISTICS (continued)

Symbol	Parameter	Test Condition	Min.	Typ.	Max.	Unit
R <sub>MON1</sub>	Simulated R Output 1	Simulated Mode, Effect Ctrl = -6dB Input signal of 250Hz, 1.4 V <sub>p-p</sub> , R <sub>in</sub> and L <sub>in</sub> → R <sub>out</sub>		- 4.5		dB
R <sub>MON2</sub>	Simulated R Output 2	Simulated Mode, Effect Ctrl = -6dB Input signal of 1kHz, 1.4 V <sub>p-p</sub> , R <sub>in</sub> and L <sub>in</sub> → R <sub>out</sub>		3.8		dB
R <sub>MON3</sub>	Simulated R Output 3	Simulated Mode, Effect Ctrl = -6dB Input signal of 3.6kHz, 1.4 V <sub>p-p</sub> , R <sub>in</sub> and L <sub>in</sub> → R <sub>out</sub>		- 20		dB
R <sub>LP1</sub>	Low Pass Filter Resistance		7.5	10	12.5	KΩ
R <sub>HPI</sub>	High Pass Filter Resistance		45	60	75	KΩ
R <sub>LPF</sub>	LP Pin Impedance		7.5	10	12.5	KΩ
R <sub>REARIN</sub>	Rear Input Resistance	D6 = 0	37.5	50	62.5	KΩ
R <sub>REAROUT</sub>	Rear Output Resistance	D6 = 0	10	30	50	Ω
V <sub>OUT</sub>	DC Rear Voltage Level	D6 = 0		4.5		V

## STANDARD SURROUND SOUND EFFECT CONTROL

C <sub>RANGE</sub>	Control Range		21		- 6	dB
S <sub>STEP</sub>	Step Resolution			1		dB

## SURROUND SOUND MATRIX PHASE

R <sub>PS10</sub>	Phase Shifter 1: D1 = 0, D0 = 0		8.8	11.8	14.8	KΩ
R <sub>PS11</sub>	Phase Shifter 1: D1 = 0, D0 = 1		10.6	14.1	17.6	KΩ
R <sub>PS12</sub>	Phase Shifter 1: D1 = 1, D0 = 0		13.4	17.9	22.4	KΩ
R <sub>PS13</sub>	Phase Shifter 1: D1 = 1, D0 = 1		28	37.3	46.6	KΩ
R <sub>PS20</sub>	Phase Shifter 2: D3 = 0, D2 = 0		4.2	5.6	7	KΩ
R <sub>PS21</sub>	Phase Shifter 2: D3 = 0, D2 = 1		5.1	6.8	8.5	KΩ
R <sub>PS22</sub>	Phase Shifter 2: D3 = 1, D2 = 0		6.3	8.4	10.5	KΩ
R <sub>PS23</sub>	Phase Shifter 2: D3 = 1, D2 = 1		13.7	18.3	22.9	KΩ
R <sub>PS30</sub>	Phase Shifter 3: D5 = 0, D4 = 0		9	12.1	15.1	KΩ
R <sub>PS31</sub>	Phase Shifter 3: D5 = 0, D4 = 1		10.9	14.5	18.1	KΩ
R <sub>PS32</sub>	Phase Shifter 3: D5 = 1, D4 = 0		13.6	18.1	22.6	KΩ
R <sub>PS33</sub>	Phase Shifter 3: D5 = 1, D4 = 1		29.3	39.1	48.9	KΩ
R <sub>PS40</sub>	Phase Shifter 4: D7 = 0, D6 = 0		9	12.1	15.1	KΩ

## SRS SURROUND SOUND MATRIX

CENTER	SRS Control Range		-31		0	dB
Step <sub>C</sub>	Center Step Resolution			1		dB
SPACE	SRS Space Control Range			-31	0	dB
Steps	Space Step Resolution			1		dB
P <sub>ERSP1</sub>	Perspective 1	Input Signal of 125Hz SPACE = 0dB, CENTER = MUTE R <sub>in</sub> = GND; L <sub>in</sub> → R <sub>OUT</sub>		12		dB
P <sub>ERSP2</sub>	Perspective 2	Input Signal of 2.15KHz SPACE = 0dB, CENTER = MUTE R <sub>in</sub> = GND; L <sub>in</sub> → R <sub>OUT</sub>		0		dB
L+R	L+ R SRS Curve	SPACE = MUTE, CENTER = 0dB R <sub>in</sub> = GND; L <sub>in</sub> → R <sub>OUT</sub>		-8.5		dB

## ELECTRICAL CHARACTERISTICS (continued)

Symbol	Parameter	Test Condition	Min.	Typ.	Max.	Unit
<b>SPEAKER &amp; RECORD ATTENUATORS</b>						
C <sub>range</sub>	Control Range			79		dB
S <sub>STEP</sub>	Step Resolution		0.5	1	1.5	dB
E <sub>A</sub>	Attenuation set error	Av = 0 to -20dB	-1.5	0	1.5	dB
		Av = -20 to -79dB	-3	0	2	dB
V <sub>DC</sub>	DC Steps	Adjacent att. steps	-3	0	3	mV
A <sub>MUTE</sub>	Output Mute Condition		70	100		dB
R <sub>VAR</sub>	Input Impedance		22.5	30	37.5	KΩ
<b>SPEAKER ATTENUATORS</b>						
V <sub>TH</sub>	Zero Crossing Threshold	D7 = 0		$\frac{V_S}{2} + 20$		mV
<b>AUDIO OUTPUTS</b>						
N <sub>O(OFF)</sub>	Output Noise (OFF)	Output Mute, Flat B <sub>W</sub> = 20Hz to 20KHz		4 5		μVrms μVrms
N <sub>O(MOV)</sub>	Output Noise (Movie) Standard Surround Sound	Mode = Movie, B <sub>W</sub> = 20Hz to 20KHz		30		μVrms
N <sub>O(MUS)</sub>	Output Noise (Music) Standard Surround Sound	Mode = Music, B <sub>W</sub> = 20Hz to 20KHz		30		μVrms
N <sub>O(SIM)</sub>	Output Noise (Simulated) Standard Surround Sound	Mode = Simulated, B <sub>W</sub> = 20Hz to 20KHz		30		μVrms
N <sub>O(SRS)</sub>	Output Noise (SRS) Surround Sound	B <sub>W</sub> = 20Hz to 20KHz		50		μVrms
d	Distorsion	Av = 0 ; V <sub>in</sub> = 1Vrms		0.01	0.1	%
S <sub>C</sub>	Channel Separation		70	90		dB
V <sub>OCL</sub>	Clipping Level	d = 0.3%	2	2.5		Vrms
R <sub>OUT</sub>	Output Resistance		10	30	50	Ω
V <sub>OUT</sub>	DC Voltage Level			3.8		V
<b>BUS INPUTS</b>						
V <sub>IL</sub>	Input Low Voltage				1	V
V <sub>IH</sub>	Input High Voltage		3			V
I <sub>IN</sub>	Input Current		-5		+5	μA
V <sub>O</sub>	Output Voltage SDA Acknowledge	I <sub>o</sub> = 1.6mA			0.4	V

**I<sup>2</sup>C BUS INTERFACE**

Data transmission from microprocessor to the TDA7465, and viceversa takes place through the 2 wires I<sup>2</sup>C BUS interface, consisting of the two lines SDA and SCL (pull-up resistors to positive supply voltage must be connected).

**Data Validity**

As shown in fig. 3, the data on the SDA line must be stable during the high period of the clock. The HIGH and LOW state of the data line can only change when the clock signal on the SCL line is LOW.

**Start and Stop Conditions**

As shown in fig.4 a start condition is a HIGH to LOW transition of the SDA line while SCL is HIGH. The stop condition is a LOW to HIGH transition of the SDA line while SCL is HIGH.

**Byte Format**

Every byte transferred on the SDA line must contain 8 bits. Each byte must be followed by an ac-

knowledge bit. The MSB is transferred first.

**Acknowledge**

The master ( $\mu$ P) puts a resistive HIGH level on the SDA line during the acknowledge clock pulse (see fig. 5). The peripheral (audioprocessor) that acknowledges has to pull-down (LOW) the SDA line during this clock pulse.

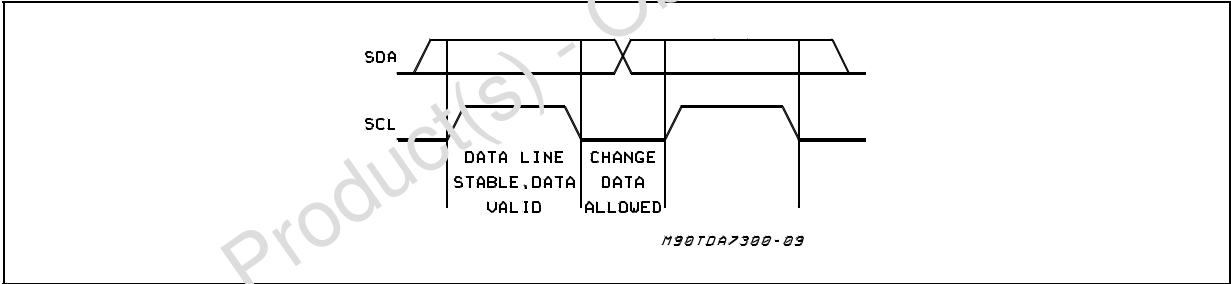
The audioprocessor which has been addressed has to generate an acknowledge after the reception of each byte, otherwise the SDA line remains at the HIGH level during the ninth clock pulse time. In this case the master transmitter can generate the STOP information in order to abort the transfer.

**Transmission without Acknowledge**

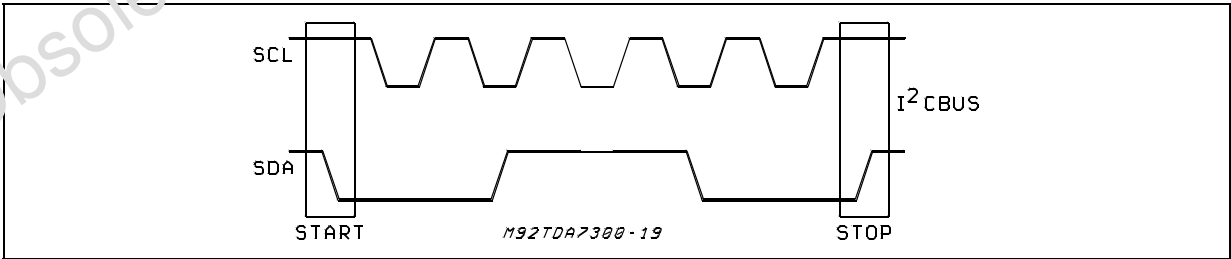
Avoiding to detect the acknowledge of the audioprocessor, the  $\mu$ P can use a simpler transmission: simply it waits one clock without checking the slave acknowledging, and sends the new data.

This approach of course is less protected from misworking.

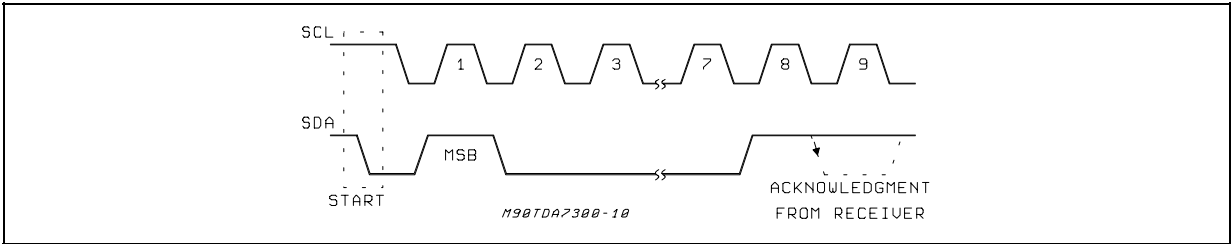
**Figure 3:** Data Validity on the I<sup>2</sup>CBUS



**Figure 4:** Timing Diagram of I<sup>2</sup>CBUS



**Figure 5:** Acknowledge on the I<sup>2</sup>CBUS





# TDA7465

## SOFTWARE SPECIFICATION

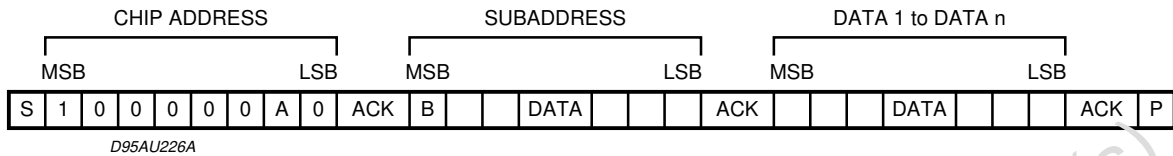
Interface Protocol

The interface protocol comprises:

- A start condition (S)
- A chip address byte, containing the TDA7465

address

- A subaddress bytes
- A sequence of data (N byte + acknowledge)
- A stop condition (P)



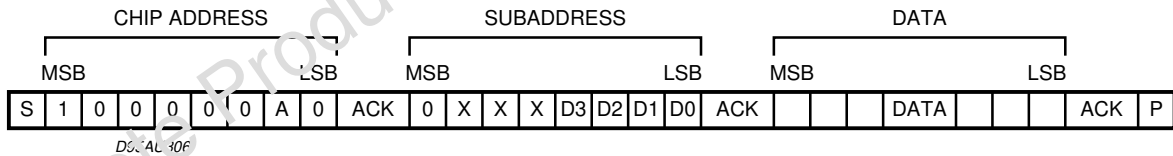
ACK = Acknowledge  
 S = Start  
 P = Stop  
 A = Address  
 B = Auto Increment

## EXAMPLES

### No Incremental Bus

The TDA7465 receives a start condition, the cor-

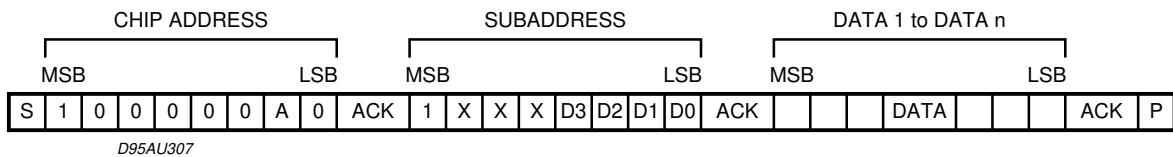
rect chip address, a subaddress with the MSB = 0 (no incremental bus), N-data (all these data concern the subaddress selected), a stop condition.



### Incremental Bus

The TDA7465 receives a start condition, the correct chip address, a subaddress with the MSB = 1 (incremental bus): now it is in a loop condition with an autoincrease of the subaddress whereas

SUBADDRESS from "1XXX1010" to "1XXX1111" of DATA are ignored. The DATA 1 concerns the subaddress sent, and the DATA 2 concerns the subaddress sent plus one in the loop etc. and, at the end, it receives the stop condition.



**DATA BYTES** (Address = 80(HEX) [82(HEX) if ADDRESS pin is connected to Vs]

**FUNCTION SELECTION:**

The first byte (subaddress)

MSB							LSB		SUBADDRESS
D7	D6	D5	D4	D3	D2	D1	D0		
B	X	X	X	0	0	0	0	INPUT ATTENUATION	
B	X	X	X	0	0	0	1	SURROUND & OUT & EFFECT CONTROL	
B	X	X	X	0	0	1	0	PHASE RESISTOR	
B	X	X	X	0	0	1	1	BASS	
B	X	X	X	0	1	0	0	MIDDLE & TREBLE	
B	X	X	X	0	1	0	1	SPEAKER ATTENUATION "L"	
B	X	X	X	0	1	1	0	SPEAKER ATTENUATION "R"	
B	X	X	X	0	1	1	1	RECORD ATTENUATION "L"	
B	X	X	X	1	0	0	0	RECORD ATTENUATION "R"	
B	X	X	X	1	0	0	1	VOICE CANCELLER & REC OUT	
B	X	X	X	1	0	1	0	SRS / SPACE ATTENUATION	
B	X	X	X	1	0	1	1	SRS / CENTER ATTENUATION	

B = 1 INCREMENTAL BUS; ACTIVE

B = 0 NO INCREMENTAL BUS;

X = DONT' CARE

**INPUT ATTENUATION SELECTION**

MSB							LSB		INPUT ATTENUATION
D7	D6	D5	D4	D3	D2	D1	D0	0.5 dB STEPS	
	0				0	0	0	0	
	0				0	0	1	-0.5	
	0				0	1	0	-1	
	0				0	1	1	-1.5	
	0				1	0	0	-2	
	0				1	0	1	-2.5	
	0				1	1	0	-3	
	0				1	1	1	-3.5	
<b>4 dB STEPS</b>									
	0	0	0	0				0	
	0	0	0	1				-4	
	0	0	1	0				-8	
	0	0	1	1				-12	
	0	1	0	0				-16	
	0	1	0	1				-20	
	0	1	1	0				-24	
	0	1	1	1				-28	

INPUT ATTENUATION = 0 ~ -31.5dB

## STANDARD SURROUND SELECTION

MSB							LSB		
D7	D6	D5	D4	D3	D2	D1	D0	SURROUND MODE	
						0	0	SIMULATED	
						0	1	MUSIC	
						1	0	OFF	
						1	1	MOVIE	
								<b>OUT</b>	
								VAR	
								FIX	
								<b>EFFECT CONTROL</b>	
	0	0	0	0				-6	
	0	0	0	1				-7	
	0	0	1	0				-8	
	0	0	1	1				-9	
	0	1	0	0				-10	
	0	1	0	1				-11	
	0	1	1	0				-12	
	0	1	1	1				-13	
	1	0	0	0				-14	
	1	0	0	1				-15	
	1	0	1	0				-16	
	1	0	1	1				-17	
	1	1	0	0				-18	
	1	1	0	1				-19	
	1	1	1	0				-20	
	1	1	1	1				-21	
<b>PHASE RESISTOR SELECTION</b>									
MSB							LSB		SURROUND PHASE RESISTOR
D7	D6	D5	D4	D3	D2	D1	D0	PHASE SHIFT 1 (K $\Omega$ )	
						0	0	12	
						0	1	14	
						1	0	18	
						1	1	37	
								<b>PHASE SHIFT 2 (K<math>\Omega</math>)</b>	
								6	
								7	
								8	
								18	
								<b>PHASE SHIFT 3 (K<math>\Omega</math>)</b>	
								12	
								14	
								18	
								39	
								<b>PHASE SHIFT 4 (K<math>\Omega</math>)</b>	
0	0							12	
0	1							14	
1	0							18	
1	1							39	

BASS SELECTION								
MSB							LSB	BASS
D7	D6	D5	D4	D3	D2	D1	D0	2 dB STEPS
			1	0	0	0	0	-14
			1	0	0	0	1	-12
			1	0	0	1	0	-10
			1	0	0	1	1	-8
			1	0	1	0	0	-6
			1	0	1	0	1	-4
			1	0	1	1	0	-2
			1	0	1	1	1	0
			1	1	1	1	1	0
			1	1	1	1	0	2
			1	1	1	0	1	4
			1	1	1	0	0	6
			1	1	0	1	1	8
			1	1	0	1	0	10
			1	1	0	0	1	12
			1	1	0	0	0	14

MIDDLE & TREBLE SELECTION									
MSB							LSB	MIDDLE	
D7	D6	D5	D4	D3	D2	D1	D0	2 dB STEPS	
				0	0	0	0	-14	
				0	0	0	1	-12	
				0	0	1	0	-10	
				0	0	1	1	-8	
				0	1	0	0	-6	
				0	1	0	1	-4	
				0	1	1	0	-2	
				0	1	1	1	0	
				1	1	1	1	0	
				1	1	1	0	2	
				1	1	0	1	4	
				1	1	0	0	6	
				1	0	1	1	8	
				1	0	1	0	10	
				1	0	0	1	12	
				1	0	0	0	14	
								<b>TREBLE</b>	
								<b>2 dB STEPS</b>	
0	0	0	0					-14	
0	0	0	1					-12	
0	0	1	0					-10	
0	0	1	1					-8	
0	1	0	0					-6	
0	1	0	1					-4	
0	1	1	0					-2	
0	1	1	1					0	
1	1	1	1					0	
1	1	1	0					2	
1	1	0	1					4	
1	1	0	0					6	
1	0	1	1					8	
1	0	1	0					10	
1	0	0	1					12	
1	0	0	0					14	

LEFT CHANNEL SPEAKER ATTENUATION SELECTION								
MSB							LSB	SPEAKER/RECORD ATT
D7	D6	D5	D4	D3	D2	D1	D0	1 dB STEPS
					0	0	0	0
					0	0	1	-1
					0	1	0	-2
					0	1	1	-3
					1	0	0	-4
					1	0	1	-5
					1	1	0	-6
					1	1	1	-7
								8 dB STEPS
	0	0	0	0				0
	0	0	0	1				-8
	0	0	1	0				-16
	0	0	1	1				-24
	0	1	0	0				-32
	0	1	0	1				-40
	0	1	1	0				-48
	0	1	1	1				-56
	1	0	0	0				-64
	1	0	0	1				-72
								MUTE
	1	0	1	X				
	1	1	X	X				
LEFT & RIGHT CHANNELS BOTH								
MSB							LSB	ZERO CROSS ATT. MODE
D7	D6	D5	D4	D3	D2	D1	D0	1 dB STEPS
0								ON
1								OFF

X = DON' TCARE  
 SPEAKER/RECORD ATTENUATION = 0dB ~ -79dB

RECORD AND RIGHT CHANNEL SPEAKER ATTENUATION SELECTION								
MSB							LSB	SPEAKER/RECORD ATT
D7	D6	D5	D4	D3	D2	D1	D0	1 dB STEPS
					0	0	0	0
					0	0	1	-1
					0	1	0	-2
					0	1	1	-3
					1	0	0	-4
					1	0	1	-5
					1	1	0	-6
					1	1	1	-7
								<b>8 dB STEPS</b>
	0	0	0	0				0
	0	0	0	1				-8
	0	0	1	0				-16
	0	0	1	1				-24
	0	1	0	0				-32
	0	1	0	1				-40
	0	1	1	0				-48
	0	1	1	1				-56
	1	0	0	0				-64
	1	0	0	1				-72
								<b>MUTE</b>
	1	0	1	X				
	1	1	X	X				

X = DON'T CARE

SPEAKER/RECORD ATTENUATION = 0dB ~ -79dB

VOICE CANCELLER REC OUT L & R SELECTION								
MSB							LSB	
D7	D6	D5	D4	D3	D2	D1	D0	VOICE CANCELLER
					1	1	0	OFF
					1	1	1	ON
								<b>REC OUT "L"</b>
			0	0	1	1		VAR 1 (3BAND)
			0	1	1	1		VAR 2 (SURR)
			1	0	1	1		VAR 3 (REAR)
			1	1	1	1		FIX
								<b>REC OUT "R"</b>
	0	0			1	1		VAR 1(3BAND)
	0	1			1	1		VAR 2 (SURR)
	1	0			1	1		VAR 3 (REAR)
	1	1			1	1		FIX
								<b>MIX SWITCH</b>
0					1	1		MIX PIN ACTIVE
1					1	1		NO MIX PIN

SRS SPACE CONTROL: ATTENUATION SELECTION									
MSB							LSB	SPACE ATTENUATION	
D7	D6	D5	D4	D3	D2	D1	D0	1 dB STEPS	
					0	0	0	0	
					0	0	1	-1	
					0	1	0	-2	
					0	1	1	-3	
					1	0	0	-4	
					1	0	1	-5	
					1	1	0	-6	
					1	1	1	-7	
								<b>8 dB STEPS</b>	
		0	0	0				0	
		0	0	1				-8	
		0	1	0				-16	
		0	1	1				-24	
								<b>MUTE</b>	
		1	X	X	X	X	X		

X = DON'T CARE  
 SPEAKER/RECORD ATTENUATION = 0dB ~ -31dB

SRS CENTER CONTROL: ATTENUATION SELECTION									
MSB							LSB	CENTER ATTENUATION	
D7	D6	D5	D4	D3	D2	D1	D0	1 dB STEPS	
					0	0	0	0	
					0	0	1	-1	
					0	1	0	-2	
					0	1	1	-3	
					1	0	0	-4	
					1	0	1	-5	
					1	1	0	-6	
					1	1	1	-7	
								<b>8 dB STEPS</b>	
		0	0	0				0	
		0	0	1				-8	
		0	1	0				-16	
		0	1	1				-24	
								<b>MUTE</b>	
		1	X	X	X	X	X		
								<b>SRS INPUT</b>	
	0							NO SURROUND SIGNAL	
	1							SURROUND SIGNAL	
								<b>SRS SWITCH</b>	
0								SRS ON	
1								SRS OFF	

X = DONT' CARE  
 SPACE ATTENUATION = 0dB ~ -31dB  
 RECOMMENDED TO ATTENUATE -3dB IN INPUT ATTENUATION DURING "SRS OFF"  
 TO FULFILL SRS BYPASS MODE WHEN SRS FUNCTION IS USED

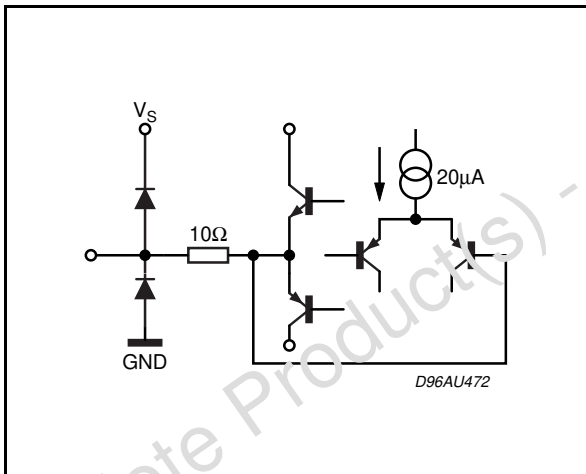




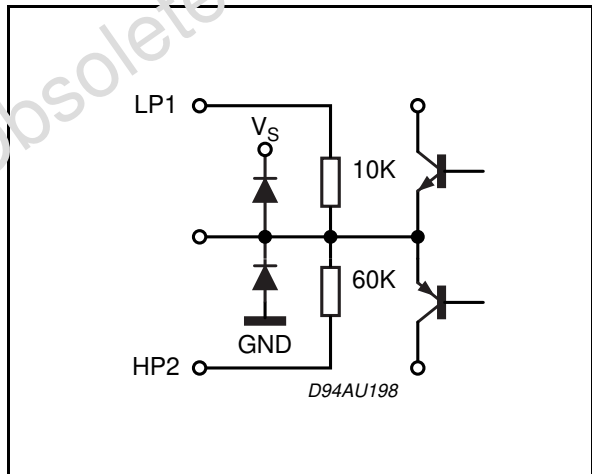
POWER ON RESET	
SURROUND & OUT CONTROL+ EFFECT CONTROL	OFF + FIX + MAX ATTENUATION
SPEAKER/RECORD ATTENUATION L & R MODE	MUTE + ZERO CROSS ATT.OFF
INPUT ATTENUATION + REAR SWITCH	MAX ATTENUATION + ON
VOICE CANCELLER	OFF
INPUT	IN1
MIX SWITCH	NO MIX PIN
SRS SURROUND	OFF + MAX ATTENUATION
BASS & MIDDLE	2dB
TREBLE	0dB

**PIN DESCRIPTION**

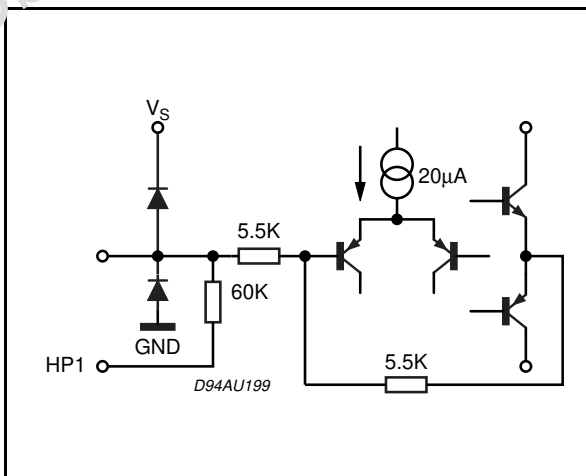
**PIN: REAR OUT**



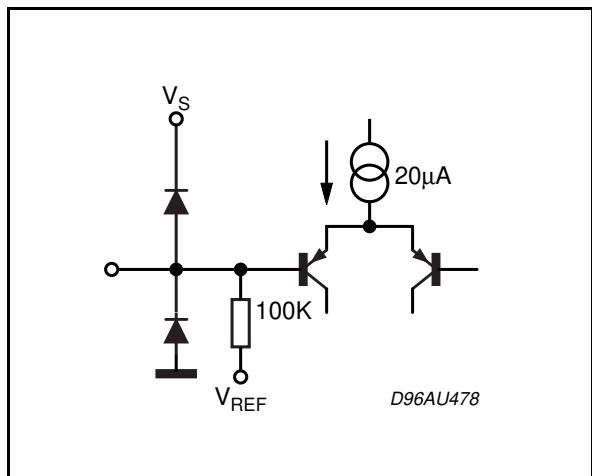
**PIN: HP1**



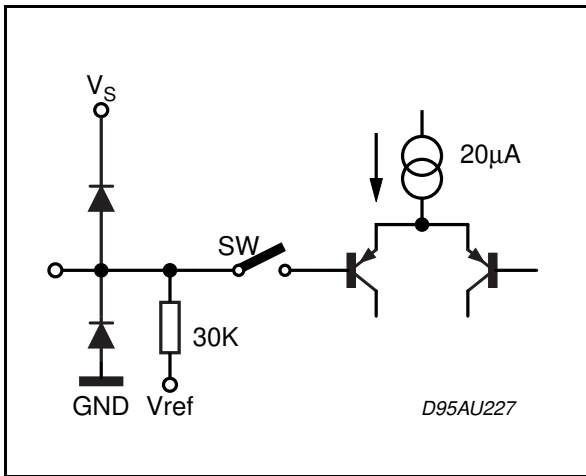
**PIN: HP2**



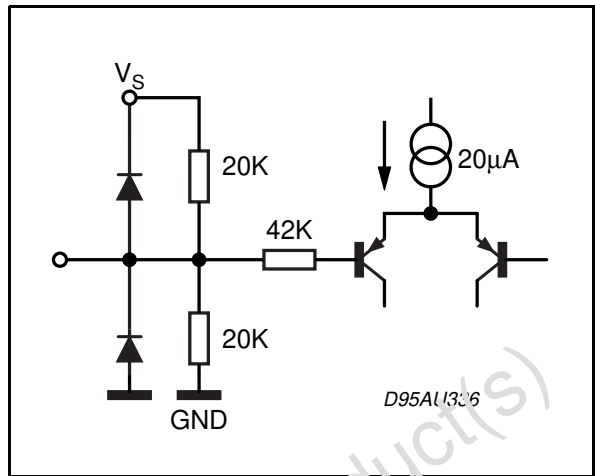
**PIN: MIX**



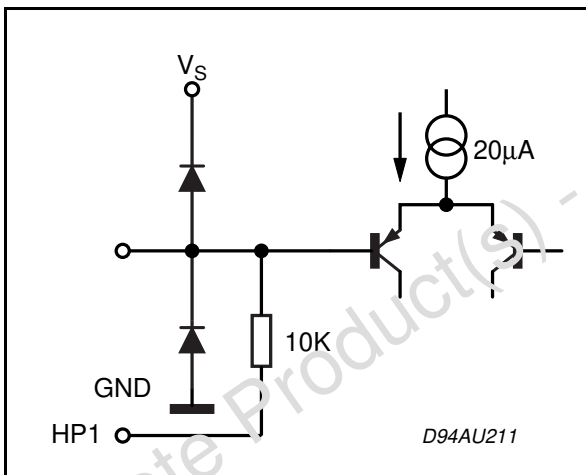
**PINS:** VAR-L, VAR-R,



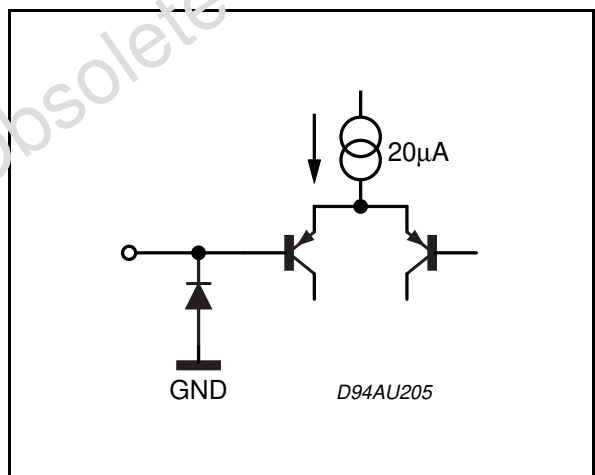
**PIN:** CREF



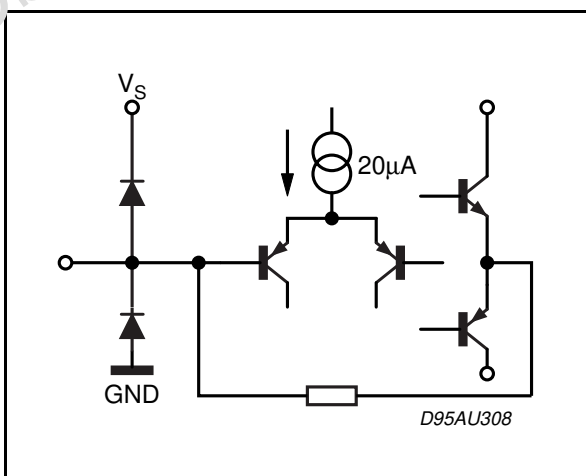
**PIN:** LP1



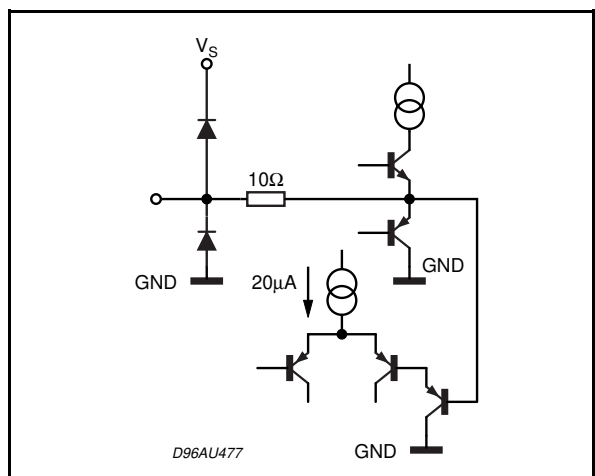
**PINS:** SCL, SDA



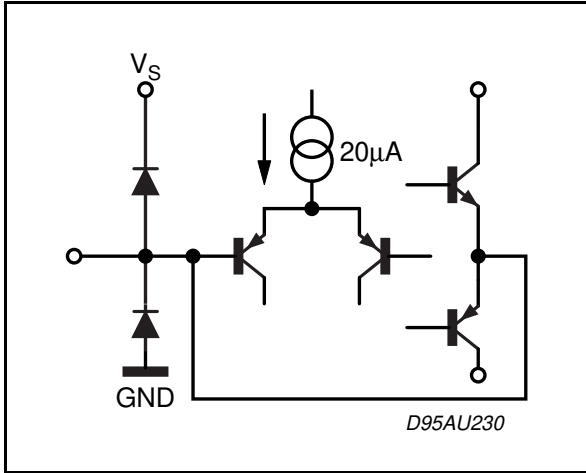
**PINS:** PS1, PS2, PS3, PS4, LP



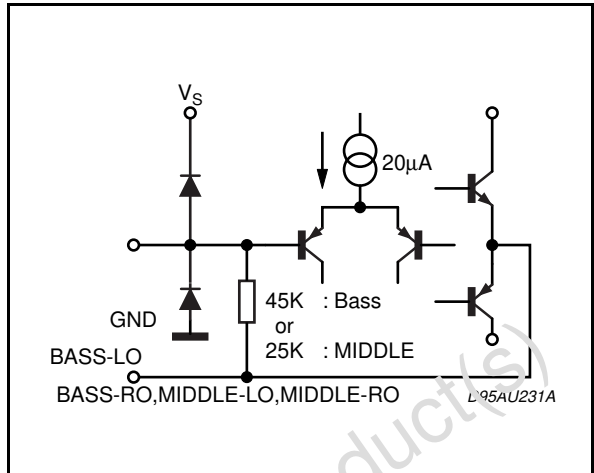
**PINS:** L-OUT, R-OUT, RECOU-T-L, RECOU-T-R



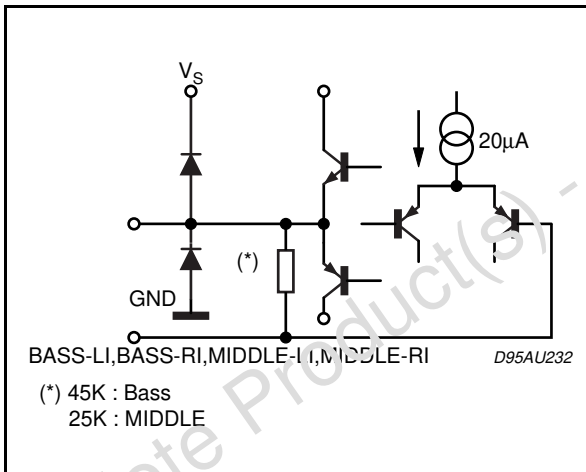
**PINS:** BASSO-L, BASSO-R



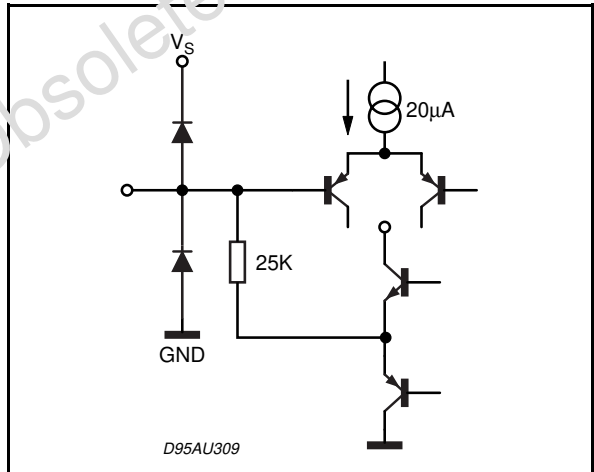
**PINS:** BASS-LI, BASS-RI, MIDDLE-LI, MIDDLE-RI,



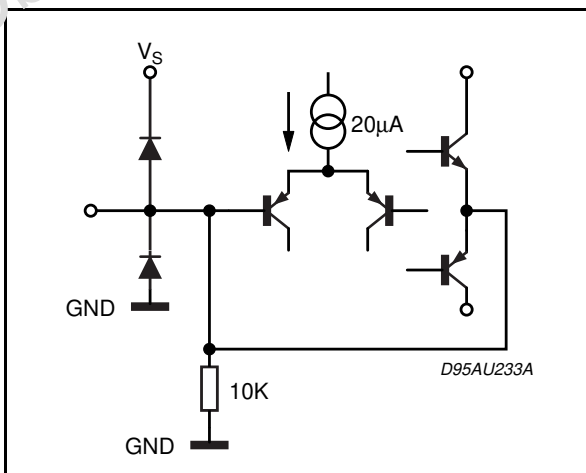
**PINS:** BASS-LO, BASS-RO, MIDDLE-LO, MIDDLE-



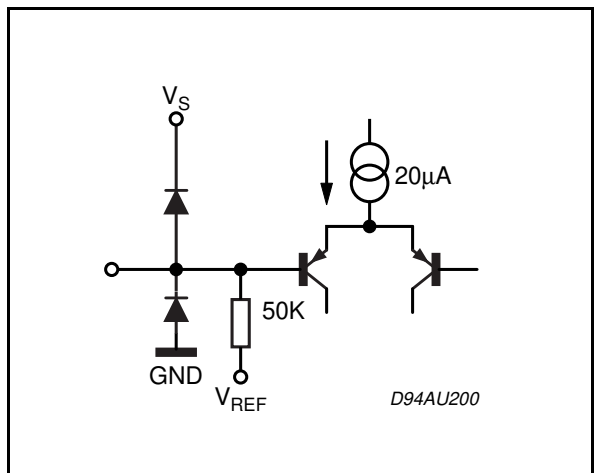
**PINS:** TREBLE-L, TREBLE-R



**PIN:** VOUT REF

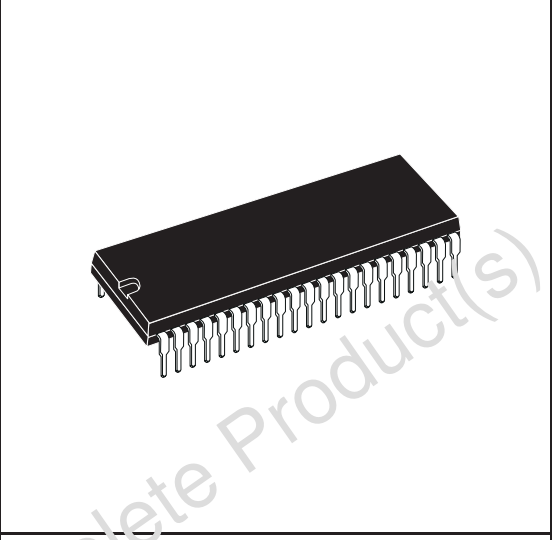


**PINS:** L-IN, R-IN

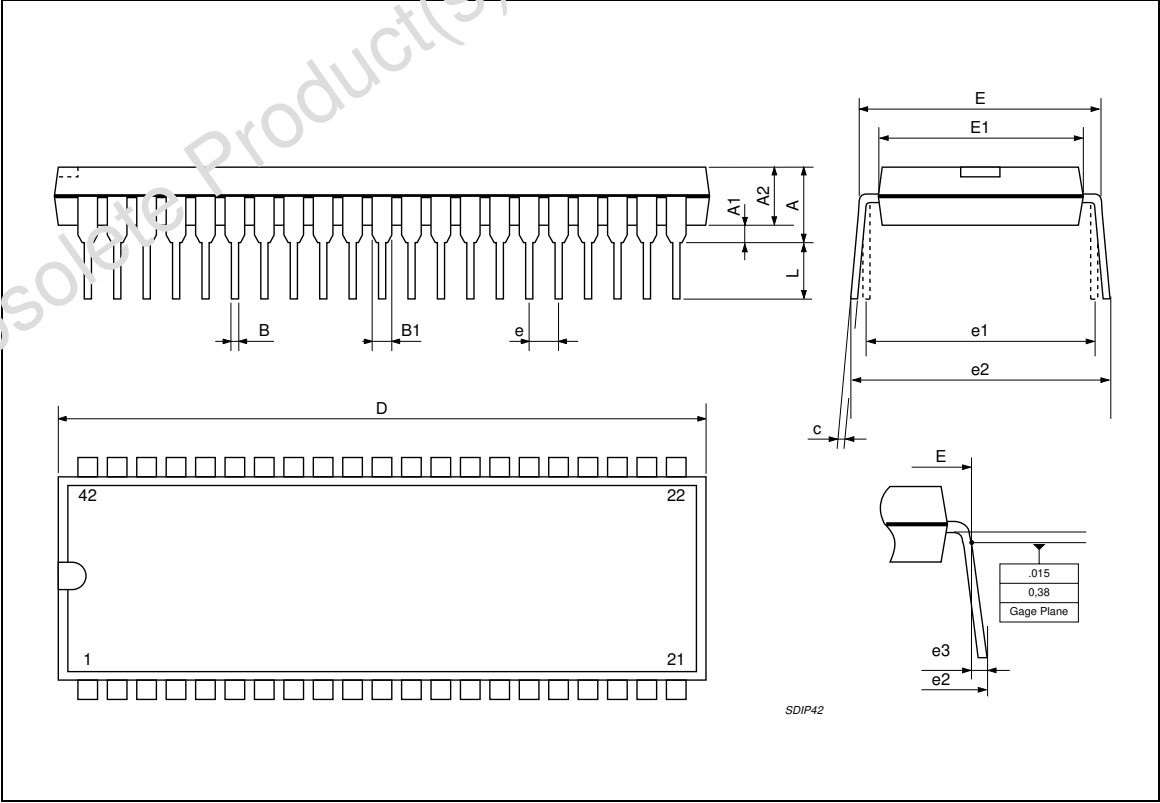


DIM.	mm			inch		
	MIN.	TYP.	MAX.	MIN.	TYP.	MAX.
A			5.08			0.20
A1	0.51			0.020		
A2	3.05	3.81	4.57	0.120	0.150	0.180
B	0.38	0.46	0.56	0.0149	0.0181	0.0220
B1	0.89	1.02	1.14	0.035	0.040	0.045
c	0.23	0.25	0.38	0.0090	0.0098	0.0150
D	36.58	36.83	37.08	1.440	1.450	1.460
E	15.24		16.00	0.60		0.629
E1	12.70	13.72	14.48	0.50	0.540	0.570
e		1.778			0.070	
e1		15.24			0.60	
e2			18.54			0.730
e3			1.52			0.060
L	2.54	3.30	3.56	0.10	0.130	0.140

**OUTLINE AND MECHANICAL DATA**



**SDIP42 (0.600")**



Obsolete Product(s) - Obsolete Product(s)

Information furnished is believed to be accurate and reliable. However, STMicroelectronics assumes no responsibility for the consequences of use of such information nor for any infringement of patents or other rights of third parties which may result from its use. No license is granted by implication or otherwise under any patent or patent rights of STMicroelectronics. Specifications mentioned in this publication are subject to change without notice. This publication supersedes and replaces all information previously supplied. STMicroelectronics products are not authorized for use as critical components in life support devices or systems without express written approval of STMicroelectronics.

The ST logo is a registered trademark of STMicroelectronics.  
All other names are the property of their respective owners

The Sound Retrieval System and  are registered trademarks of SRS Labs, Inc.  
everything else is an illusion™

**STMicroelectronics GROUP OF COMPANIES**

Australia – Belgium - Brazil - Canada - China – Czech Republic - Finland - France - Germany - Hong Kong - India - Israel - Italy - Japan - Malaysia - Malta - Morocco - Singapore - Spain - Sweden - Switzerland - United Kingdom - United States

[www.st.com](http://www.st.com)