



Chipsmall Limited consists of a professional team with an average of over 10 year of expertise in the distribution of electronic components. Based in Hongkong, we have already established firm and mutual-benefit business relationships with customers from,Europe,America and south Asia,supplying obsolete and hard-to-find components to meet their specific needs.

With the principle of “Quality Parts,Customers Priority,Honest Operation,and Considerate Service”,our business mainly focus on the distribution of electronic components. Line cards we deal with include Microchip,ALPS,ROHM,Xilinx,Pulse,ON,Everlight and Freescale. Main products comprise IC,Modules,Potentiometer,IC Socket,Relay,Connector.Our parts cover such applications as commercial,industrial, and automotives areas.

We are looking forward to setting up business relationship with you and hope to provide you with the best service and solution. Let us make a better world for our industry!



## Contact us

Tel: +86-755-8981 8866 Fax: +86-755-8427 6832

Email & Skype: info@chipsmall.com Web: www.chipsmall.com

Address: A1208, Overseas Decoration Building, #122 Zhenhua RD., Futian, Shenzhen, China



## 4 x 50 W MOSFET quad bridge power amplifier

### Features

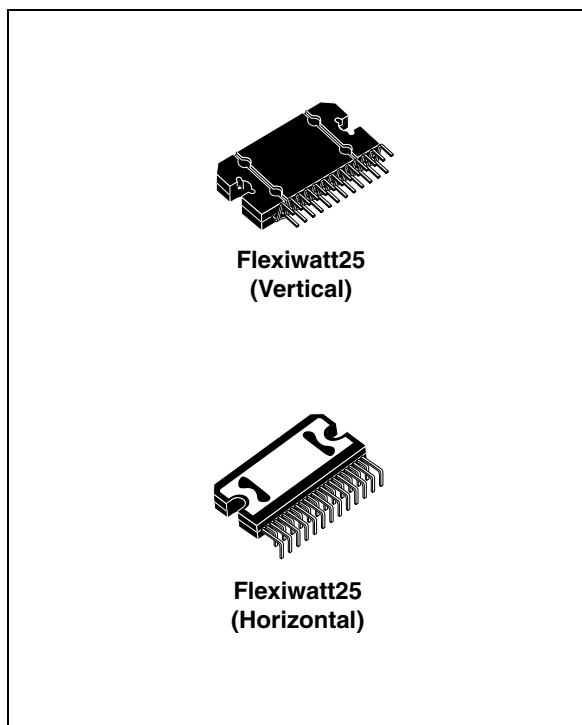
- High output power capability:
  - 4 x 50 W/4  $\Omega$  max.
  - 4 x 30 W/4  $\Omega$  @ 14.4 V, 1 kHz, 10 %
  - 4 x 80 W/2  $\Omega$  max.
  - 4 x 55 W/2  $\Omega$  @ 14.4V, 1 kHz, 10 %
- MOSFET output power stage
- Excellent 2  $\Omega$  driving capability
- Hi-Fi class distortion
- Low output noise
- ST-BY function
- Mute function
- Automute at min. supply voltage detection
- Low external component count:
  - Internally fixed gain (26 dB)
  - No external compensation
  - No bootstrap capacitors
- On board 0.35 A high side driver

### Protections:

- Output short circuit to gnd, to  $V_S$ , across the load
- Very inductive loads
- Overrating chip temperature with soft thermal limiter
- Output DC offset detection
- Load dump voltage
- Fortuitous open gnd
- Reversed battery

**Table 1. Device summary**

Order code	Package	Packing
TDA7850	Flexiwatt25 (Vertical)	Tube
TDA7850H	Flexiwatt25 (Horizontal)	Tube



- ESD

### Description

The TDA7850 is a breakthrough MOSFET technology class AB audio power amplifier in Flexiwatt 25 package designed for high power car radio. The fully complementary P-Channel/N-Channel output structure allows a rail to rail output voltage swing which, combined with high output current and minimized saturation losses sets new power references in the car-radio field, with unparalleled distortion performances.

The TDA7850 integrates a DC offset detector.

# Contents

<b>1</b>	<b>Block diagram and application circuit</b> .....	<b>5</b>
1.1	Block diagram .....	5
1.2	Standard test and application circuit .....	5
<b>2</b>	<b>Pin description</b> .....	<b>6</b>
<b>3</b>	<b>Electrical specifications</b> .....	<b>7</b>
3.1	Absolute maximum ratings .....	7
3.2	Thermal data .....	7
3.3	Electrical characteristics .....	8
3.4	Electrical characteristic curves .....	11
<b>4</b>	<b>Application hints</b> .....	<b>14</b>
4.1	SVR .....	14
4.2	Input stage .....	14
4.3	Standby and muting .....	14
4.4	DC offset detector .....	14
4.5	Heatsink definition .....	14
<b>5</b>	<b>Package information</b> .....	<b>15</b>
<b>6</b>	<b>Revision history</b> .....	<b>17</b>

## List of tables

Table 1.	Device summary . . . . .	1
Table 2.	Absolute maximum ratings . . . . .	7
Table 3.	Thermal data . . . . .	7
Table 4.	Electrical characteristics . . . . .	8
Table 5.	Document revision history . . . . .	17

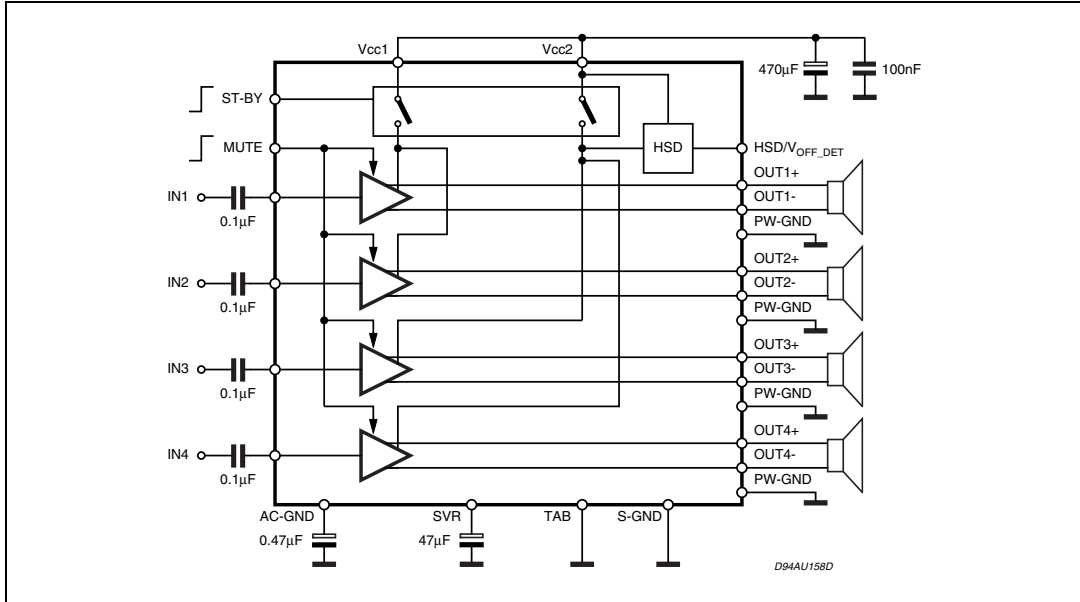
## List of figures

Figure 1.	Block diagram . . . . .	5
Figure 2.	Standard test and application circuit . . . . .	5
Figure 3.	Pin connection (top view) . . . . .	6
Figure 4.	Components and top copper layer of the <i>Figure 2</i> . . . . .	10
Figure 5.	Bottom copper layer <i>Figure 2</i> . . . . .	10
Figure 6.	Quiescent current vs. supply voltage . . . . .	11
Figure 7.	Output power vs. supply voltage ( $R_L = 4\Omega$ ) . . . . .	11
Figure 8.	Output power vs. supply voltage ( $R_L = 2\Omega$ ) . . . . .	11
Figure 9.	Distortion vs. output power ( $R_L = 4\Omega$ ) . . . . .	11
Figure 10.	Distortion vs. output power ( $R_L = 2\Omega$ ) . . . . .	11
Figure 11.	Distortion vs. frequency ( $R_L = 4\Omega$ ) . . . . .	11
Figure 12.	Distortion vs. frequency ( $R_L = 2\Omega$ ) . . . . .	12
Figure 13.	Crosstalk vs. frequency . . . . .	12
Figure 14.	Supply voltage rejection vs. frequency . . . . .	12
Figure 15.	Output attenuation vs. supply voltage. . . . .	12
Figure 16.	Power dissipation and efficiency vs. output power ( $R_L = 4\Omega$ , SINE) . . . . .	12
Figure 17.	Power dissipation and efficiency vs. output power ( $R_L = 2\Omega$ , SINE) . . . . .	12
Figure 18.	Power dissipation vs. output power ( $R_L = 4\Omega$ , audio program simulation) . . . . .	13
Figure 19.	Power dissipation vs. output power ( $R_L = 2\Omega$ , audio program simulation) . . . . .	13
Figure 20.	ITU R-ARM frequency response, weighting filter for transient pop. . . . .	13
Figure 21.	Flexiwatt25 (vertical) mechanical data and package dimensions. . . . .	15
Figure 22.	Flexiwatt25 (horizontal) mechanical data and package dimensions. . . . .	16

# 1 Block diagram and application circuit

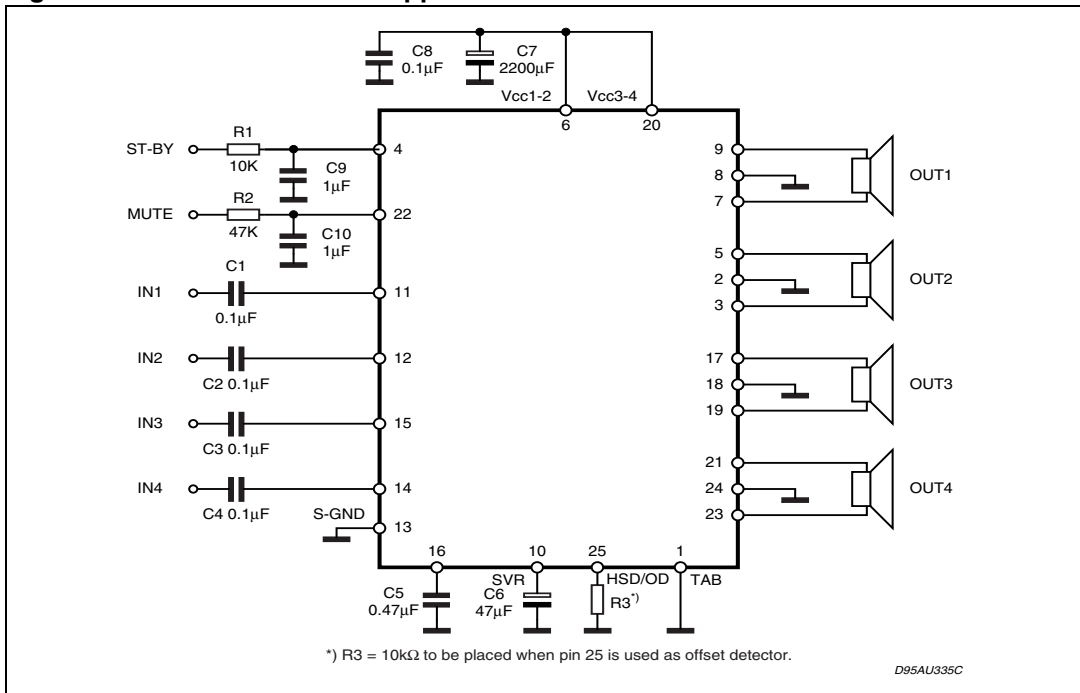
## 1.1 Block diagram

Figure 1. Block diagram



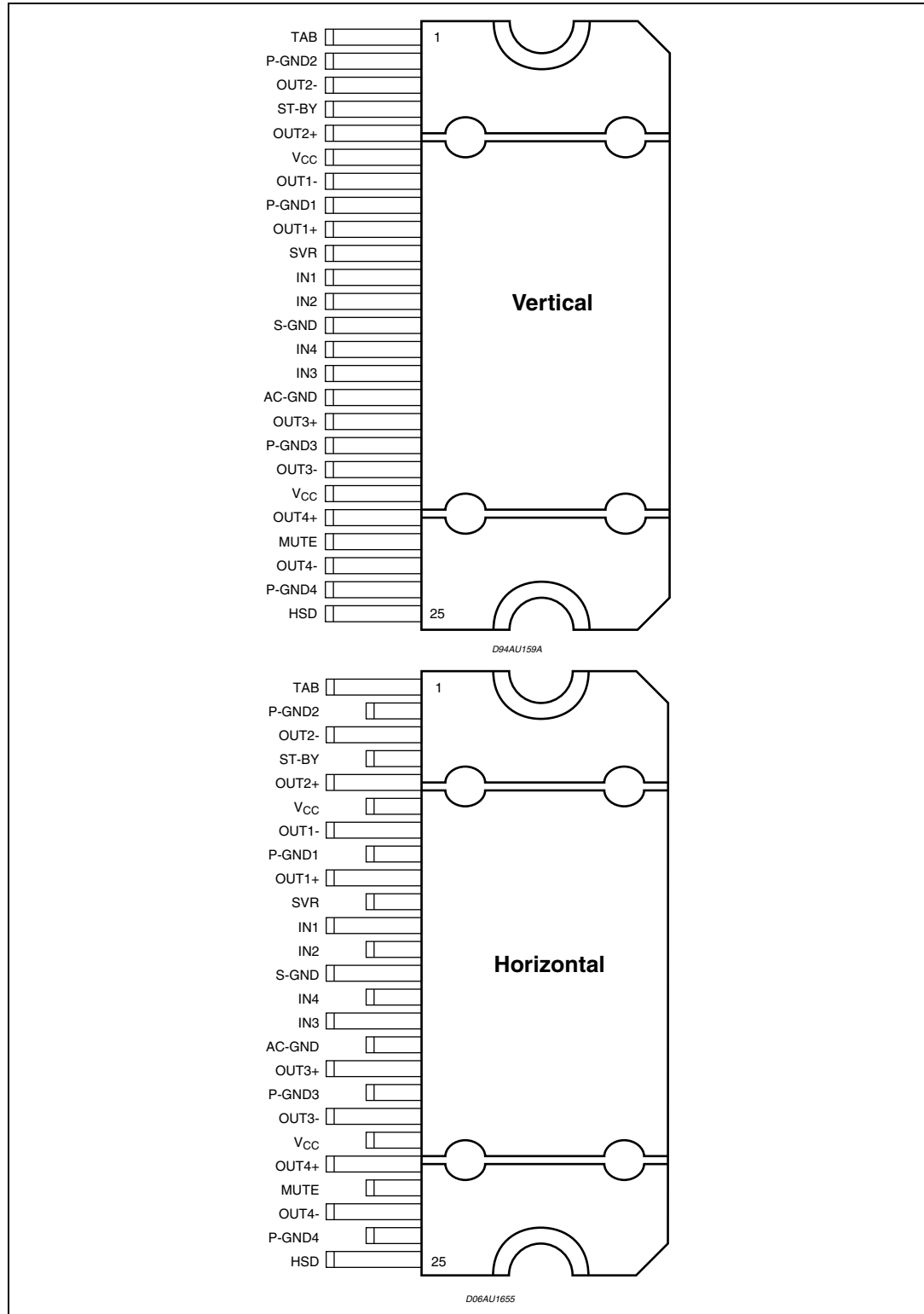
## 1.2 Standard test and application circuit

Figure 2. Standard test and application circuit



## 2 Pin description

Figure 3. Pin connection (top view)



## 3 Electrical specifications

### 3.1 Absolute maximum ratings

**Table 2. Absolute maximum ratings**

Symbol	Parameter	Value	Unit
$V_S$	Operating supply voltage	18	V
$V_{S(DC)}$	DC supply voltage	28	V
$V_{S(pk)}$	Peak supply voltage (for $t = 50$ ms)	50	V
$I_O$	Output peak current repetitive (duty cycle 10 % at $f = 10$ Hz) non repetitive ( $t = 100$ $\mu$ s)	9	A
		10	A
$P_{tot}$	Power dissipation $T_{case} = 70$ °C	80	W
$T_j$	Junction temperature	150	°C
$T_{stg}$	Storage temperature	-55 to 150	°C

### 3.2 Thermal data

**Table 3. Thermal data**

Symbol	Parameter	Value	Unit
$R_{th\ j-case}$	Thermal resistance junction to case	Max. 1	°C/W



### 3.3 Electrical characteristics

**Table 4. Electrical characteristics**

(Refer to the test and application diagram,  $V_S = 14.4\text{ V}$ ;  $R_L = 4\ \Omega$ ;  $R_g = 600\ \Omega$ ;  $f = 1\text{ kHz}$ ;  $T_{\text{amb}} = 25\text{ }^\circ\text{C}$ ; unless otherwise specified).

Symbol	Parameter	Test condition	Min.	Typ.	Max.	Unit
$I_{q1}$	Quiescent current	$R_L = \infty$	100	180	280	mA
$V_{OS}$	Output offset voltage	Play mode / Mute mode			$\pm 50$	mV
$dV_{OS}$	During mute ON/OFF output offset voltage	ITU R-ARM weighted see <a href="#">Figure 20</a>	-10		+10	mV
	During Standby ON/OFF output offset voltage		-10		+10	mV
$G_v$	Voltage gain		25	26	27	dB
$dG_v$	Channel gain unbalance				$\pm 1$	dB
$P_o$	Output power	$V_S = 13.2\text{ V}$ ; THD = 10 %	23	25		W
		$V_S = 13.2\text{ V}$ ; THD = 1 %	16	19		
		$V_S = 14.4\text{ V}$ ; THD = 10 %	28	30		
		$V_S = 14.4\text{ V}$ ; THD = 1 %	20	23		
		$V_S = 14.4\text{ V}$ ; THD = 10 %, $2\ \Omega$	50	55		W
$P_{o\text{ max.}}$	Max. output power <sup>(1)</sup>	$V_S = 14.4\text{ V}$ ; $R_L = 4\ \Omega$ $V_S = 14.4\text{ V}$ ; $R_L = 2\ \Omega$		50 85		W
THD	Distortion	$P_o = 4\text{ W}$ $P_o = 15\text{ W}$ ; $R_L = 2\ \Omega$		0.006 0.015	0.02 0.03	%
$e_{No}$	Output noise	"A" Weighted Bw = 20 Hz to 20 kHz		35 50	50 70	$\mu\text{V}$
SVR	Supply voltage rejection	$f = 100\text{ Hz}$ ; $V_r = 1\text{ V}_{\text{rms}}$	50	75		dB
$f_{ch}$	High cut-off frequency	$P_o = 0.5\text{ W}$	100	300		KHz
$R_i$	Input impedance		80	100	120	K $\Omega$
$C_T$	Cross talk	$f = 1\text{ kHz}$ $P_o = 4\text{ W}$ $f = 10\text{ kHz}$ $P_o = 4\text{ W}$	60	70 60	- -	dB
$I_{SB}$	Standby current consumption	$V_{\text{ST-BY}} = 1.5\text{ V}$			20	$\mu\text{A}$
		$V_{\text{ST-BY}} = 0\text{ V}$			10	
$I_{\text{pin5}}$	ST-BY pin current	$V_{\text{ST-BY}} = 1.5\text{ V to }3.5\text{ V}$			$\pm 1$	$\mu\text{A}$
$V_{\text{SB out}}$	Standby out threshold voltage	(Amp: ON)	2.75			V
$V_{\text{SB in}}$	Standby in threshold voltage	(Amp: OFF)			1.5	V
$A_M$	Mute attenuation	$P_{\text{Oref}} = 4\text{ W}$	80	90		dB
$V_{\text{M out}}$	Mute out threshold voltage	(Amp: Play)	3.5			V
$V_{\text{M in}}$	Mute in threshold voltage	(Amp: Mute)			1.5	V

**Table 4. Electrical characteristics (continued)**

(Refer to the test and application diagram,  $V_S = 14.4\text{ V}$ ;  $R_L = 4\ \Omega$ ;  $R_g = 600\ \Omega$ ;  $f = 1\text{ kHz}$ ;  $T_{amb} = 25\text{ }^\circ\text{C}$ ; unless otherwise specified).

Symbol	Parameter	Test condition	Min.	Typ.	Max.	Unit
$V_{AM\ in}$	$V_S$ automute threshold	(Amp: Mute) $Att \geq 80\text{ dB}$ ; $P_{Oref} = 4\text{ W}$ (Amp: Play) $Att < 0.1\text{ dB}$ ; $P_O = 0.5\text{ W}$	6.5	7 7.5	8	V
$I_{pin23}$	Muting pin current	$V_{MUTE} = 1.5\text{ V}$ (Sourced Current)	7	12	18	$\mu\text{A}$
		$V_{MUTE} = 3.5\text{ V}$	-5		18	$\mu\text{A}$
<b>HSD section</b>						
$V_{dropout}$	Dropout voltage	$I_O = 0.35\text{ A}$ ; $V_S = 9\text{ to }16\text{ V}$		0.25	0.6	V
$I_{prot}$	Current limits		400		800	mA
<b>Offset detector (Pin 25)</b>						
$V_{M\_ON}$	Mute voltage for DC offset detection enabled	$V_{ST-BY} = 5\text{ V}$	8			V
$V_{M\_OFF}$					6	V
$V_{OFF}$	Detected differential output offset	$V_{ST-BY} = 5\text{ V}$ ; $V_{mute} = 8\text{ V}$	$\pm 2$	$\pm 3$	$\pm 4$	V
$V_{25\_T}$	Pin 25 voltage for detection = TRUE	$V_{ST-BY} = 5\text{ V}$ ; $V_{mute} = 8\text{ V}$ $V_{OFF} > \pm 4\text{ V}$	0		1.5	V
$V_{25\_F}$	Pin 25 Voltage for detection = FALSE	$V_{ST-BY} = 5\text{ V}$ ; $V_{mute} = 8\text{ V}$ $V_{OFF} > \pm 2\text{ V}$	12			V

1. Saturated square wave output.

Figure 4. Components and top copper layer of the *Figure 2*.

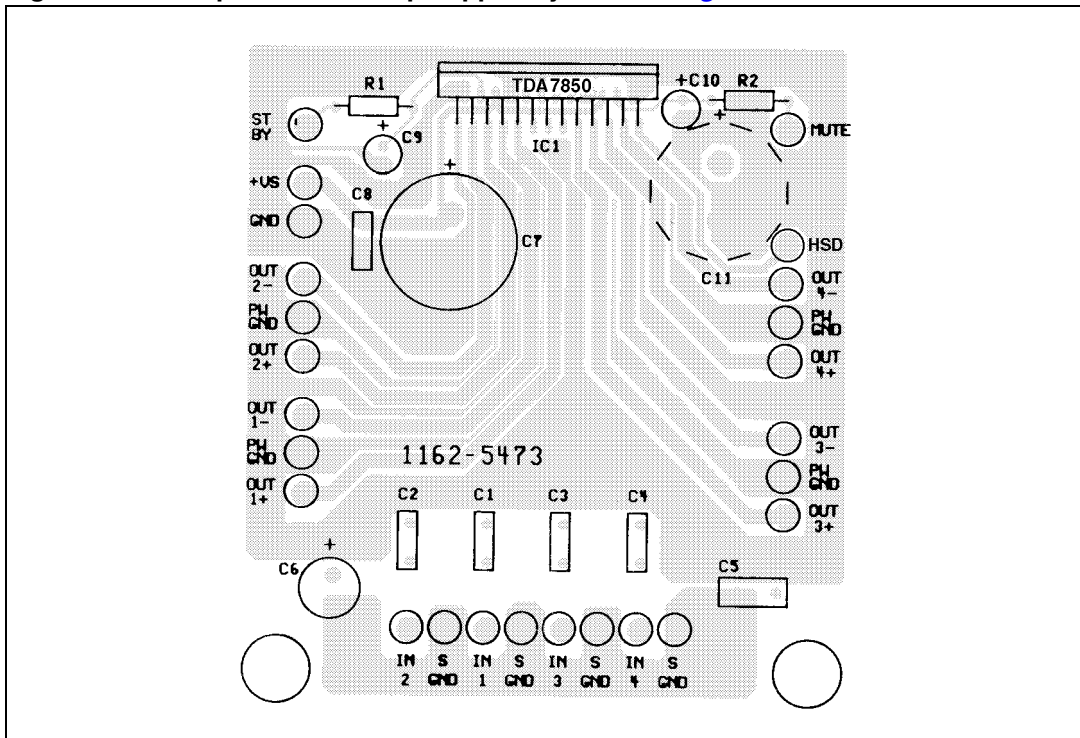
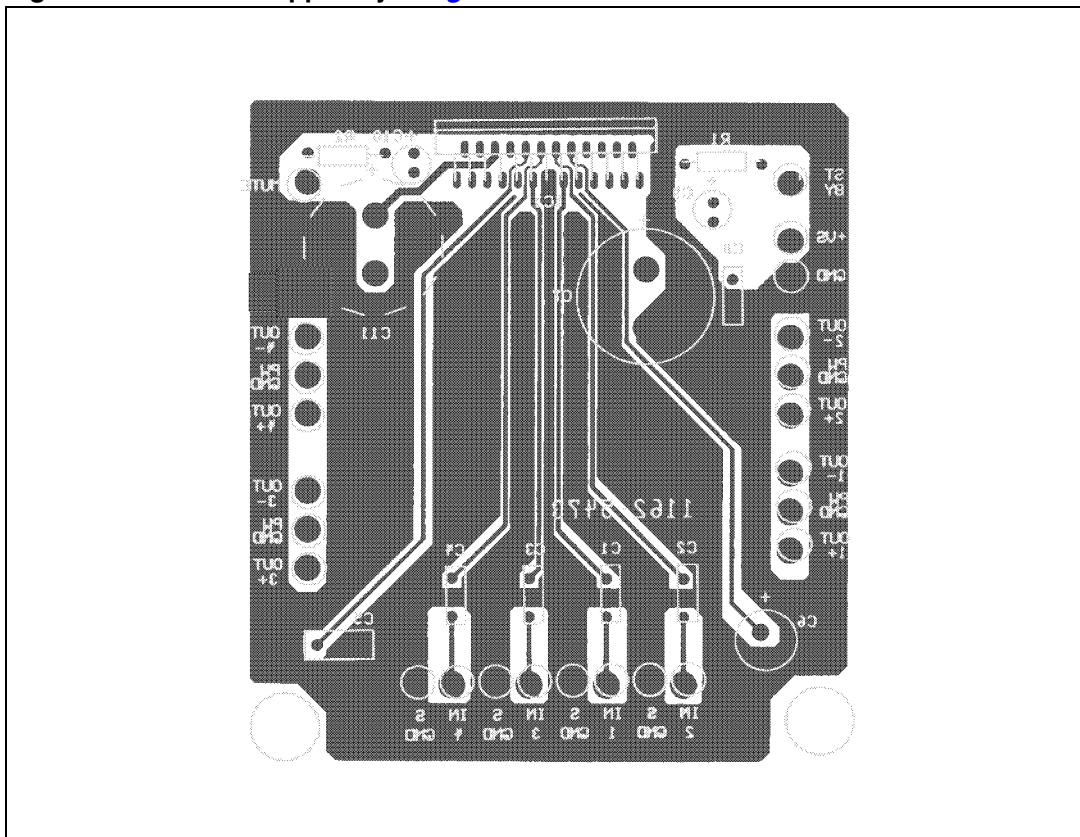
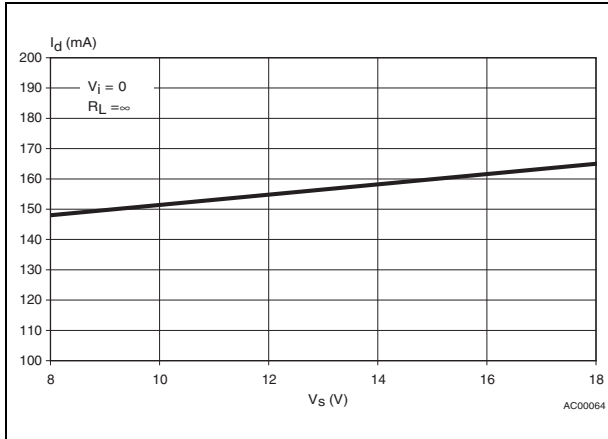


Figure 5. Bottom copper layer *Figure 2*.

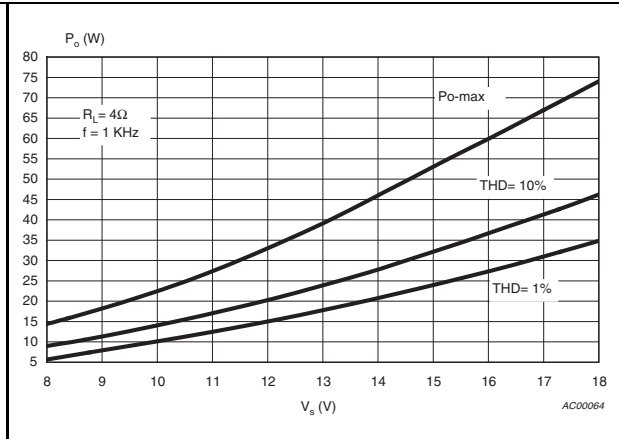


### 3.4 Electrical characteristic curves

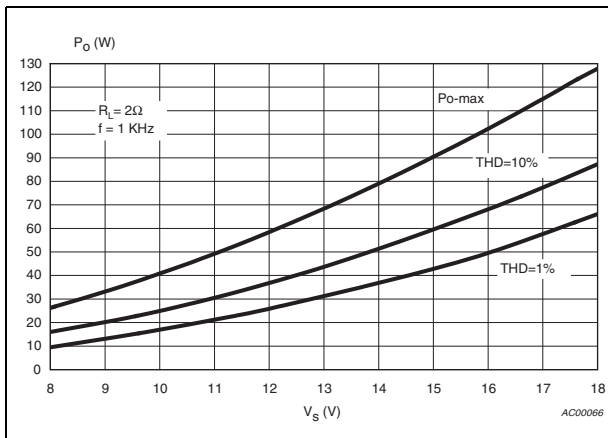
**Figure 6. Quiescent current vs. supply voltage**



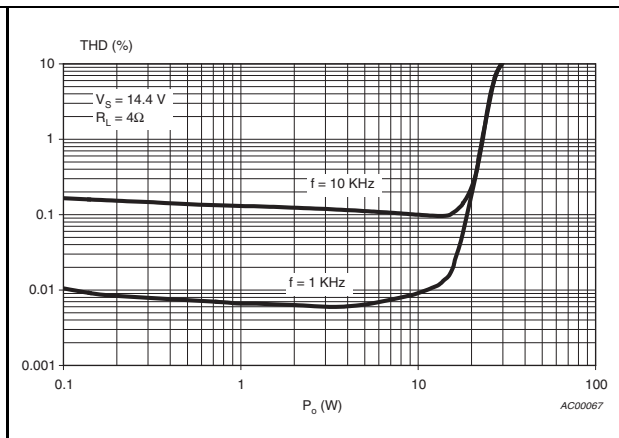
**Figure 7. Output power vs. supply voltage ( $R_L = 4\Omega$ )**



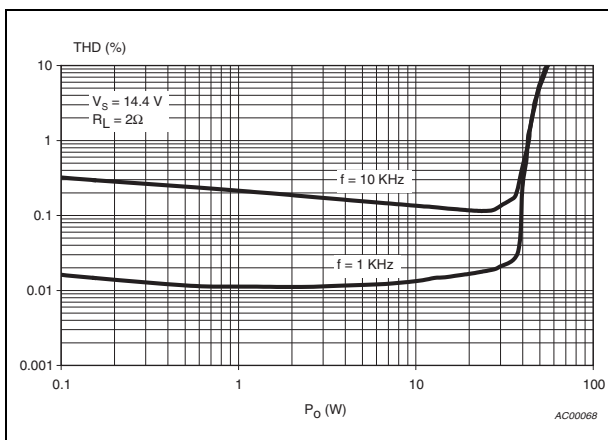
**Figure 8. Output power vs. supply voltage ( $R_L = 2\Omega$ )**



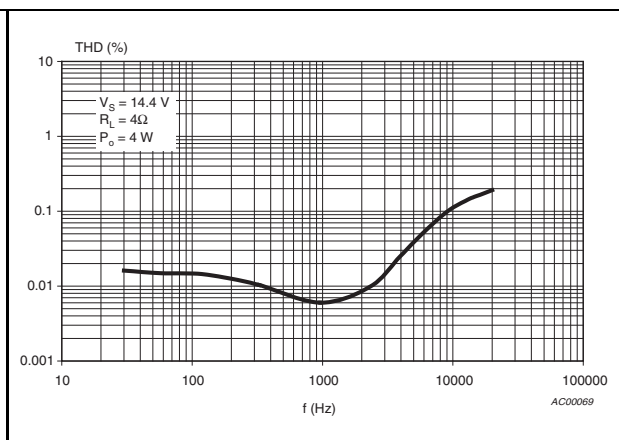
**Figure 9. Distortion vs. output power ( $R_L = 4\Omega$ )**



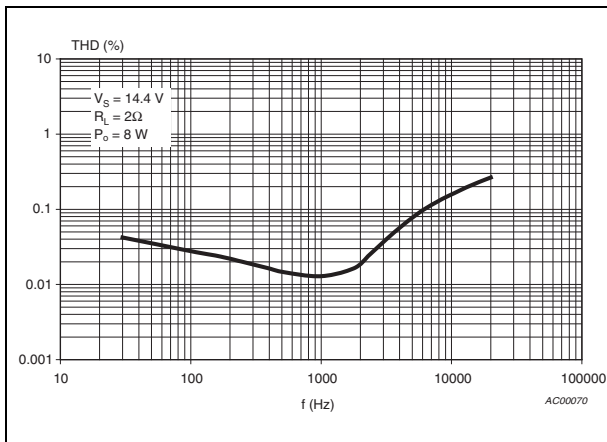
**Figure 10. Distortion vs. output power ( $R_L = 2\Omega$ )**



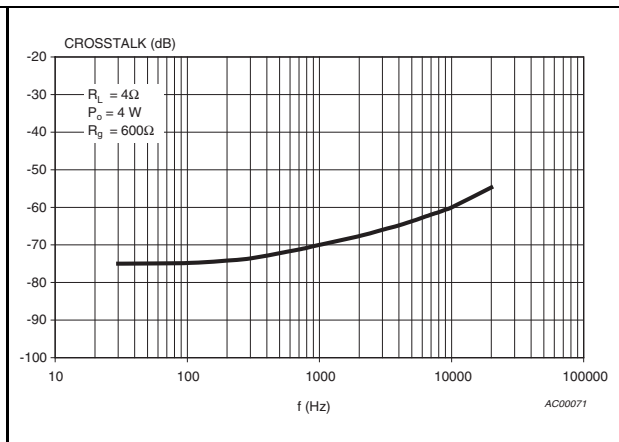
**Figure 11. Distortion vs. frequency ( $R_L = 4\Omega$ )**



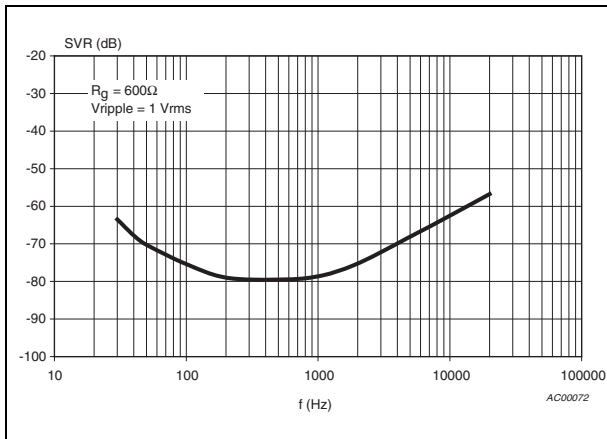
**Figure 12. Distortion vs. frequency**  
( $R_L = 2\Omega$ )



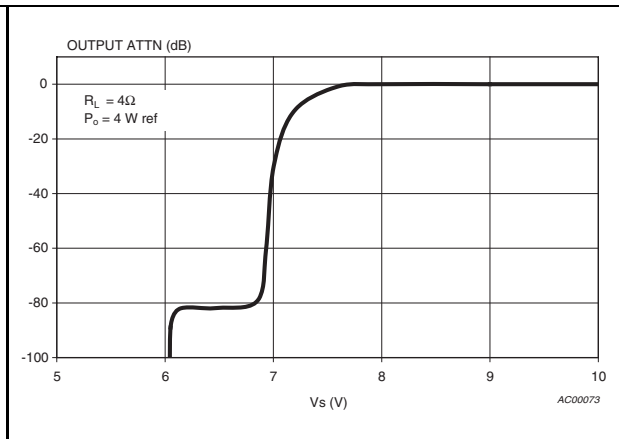
**Figure 13. Crosstalk vs. frequency**



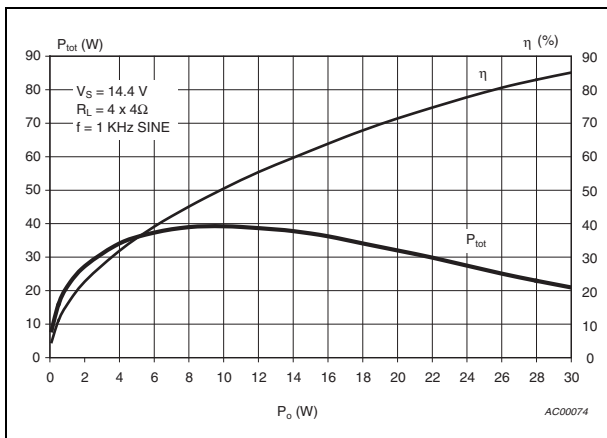
**Figure 14. Supply voltage rejection vs. frequency**



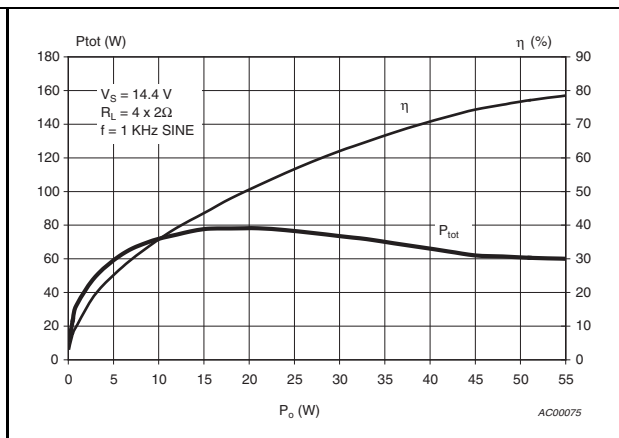
**Figure 15. Output attenuation vs. supply voltage**



**Figure 16. Power dissipation and efficiency vs. output power ( $R_L = 4\Omega$ , SINE)**

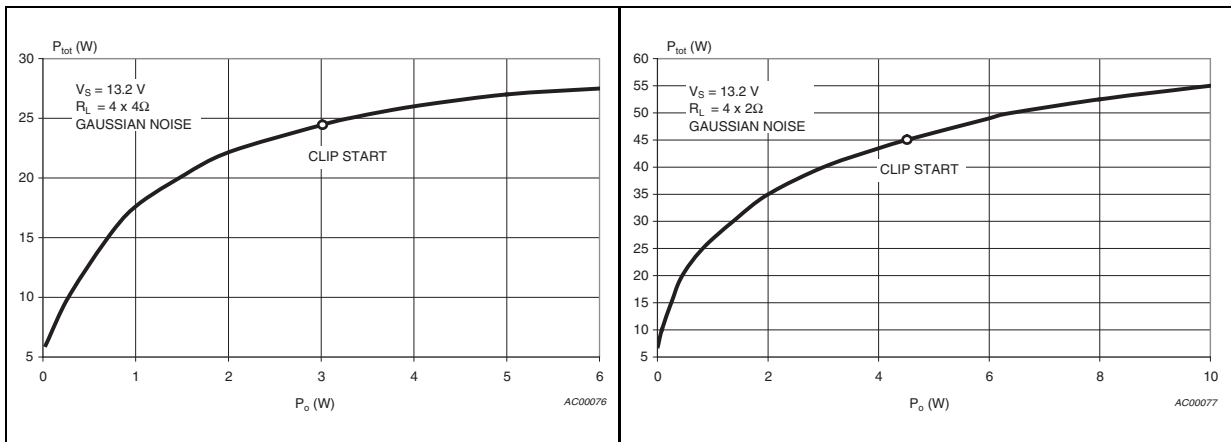


**Figure 17. Power dissipation and efficiency vs. output power ( $R_L = 2\Omega$ , SINE)**

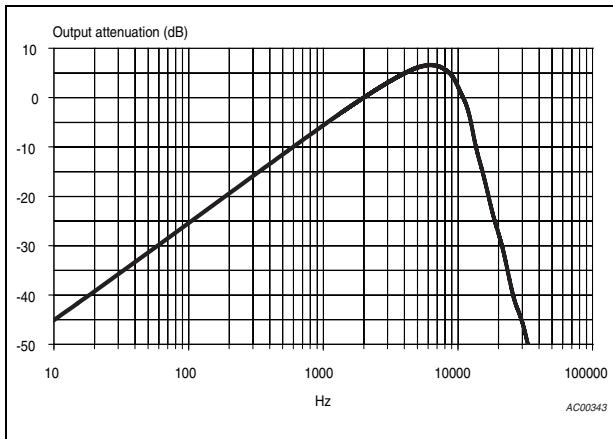


**Figure 18. Power dissipation vs. output power ( $R_L = 4\Omega$ , audio program simulation)**

**Figure 19. Power dissipation vs. output power ( $R_L = 2\Omega$ , audio program simulation)**



**Figure 20. ITU R-ARM frequency response, weighting filter for transient pop**



## 4 Application hints

Referred to the circuit of [Figure 2](#).

### 4.1 SVR

Besides its contribution to the ripple rejection, the SVR capacitor governs the turn ON/OFF time sequence and, consequently, plays an essential role in the pop optimization during ON/OFF transients. To conveniently serve both needs, **its minimum recommended value is 10 $\mu$ F**.

### 4.2 Input stage

The TDA7850's inputs are ground-compatible and can stand very high input signals ( $\pm 8$ Vpk) without any performance degradation.

If the standard value for the input capacitors (0.1 $\mu$ F) is adopted, the low frequency cut-off will amount to 16 Hz.

### 4.3 Standby and muting

Standby and Muting facilities are both CMOS compatible. In absence of true CMOS ports or microprocessors, a direct connection to  $V_s$  of these two pins is admissible but a 470k $\Omega$  equivalent resistance should be present between the power supply and the muting and ST-BY pins.

R-C cells have always to be used in order to smooth down the transitions for preventing any audible transient noises.

About the standby, the time constant to be assigned in order to obtain a virtually pop-free transition has to be slower than 2.5 V/ms.

### 4.4 DC offset detector

The TDA7850 integrates a DC offset detector to avoid that an anomalous DC offset on the inputs of the amplifier may be multiplied by the gain and result in a dangerous large offset on the outputs which may lead to speakers damage for overheating. The feature is enabled by the MUTE pin (according to table 3) and works with the amplifier unmuted and with no signal on the inputs.

The DC offset detection is signaled out on the HSD pin. To ensure the correct functionality of the Offset Detector it is necessary to connect a pulldown 10 kW resistor between HSD and ground.

### 4.5 Heatsink definition

Under normal usage (4 Ohm speakers) the heatsink's thermal requirements have to be deduced from [Figure 18](#), which reports the simulated power dissipation when real music/speech programmes are played out. Noise with gaussian-distributed amplitude was employed for this simulation. Based on that, frequent clipping occurrence (worst-case) will cause  $P_{diss} = 26$  W. Assuming  $T_{amb} = 70$  °C and  $T_{CHIP} = 150$  °C as boundary conditions, the heatsink's thermal resistance should be approximately 2°C/W. This would avoid any thermal shutdown occurrence even after long-term and full-volume operation.

# 5 Package information

In order to meet environmental requirements, ST (also) offers these devices in ECOPACK® packages. ECOPACK® packages are lead-free. The category of second Level Interconnect is marked on the package and on the inner box label, in compliance with JEDEC Standard JESD97. The maximum ratings related to soldering conditions are also marked on the inner box label.

ECOPACK is an ST trademark. ECOPACK specifications are available at: [www.st.com](http://www.st.com).

**Figure 21. Flexiwatt25 (vertical) mechanical data and package dimensions**

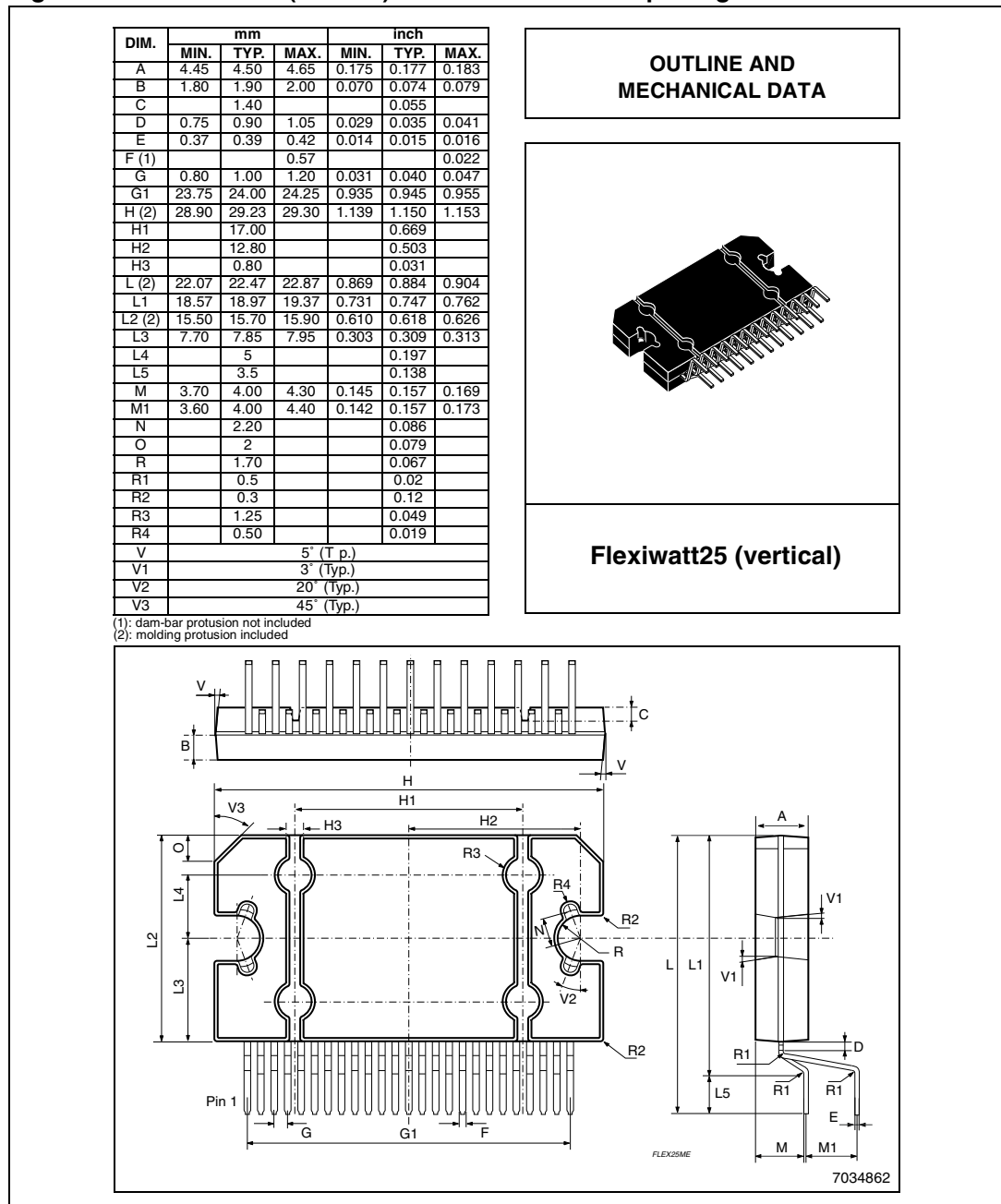


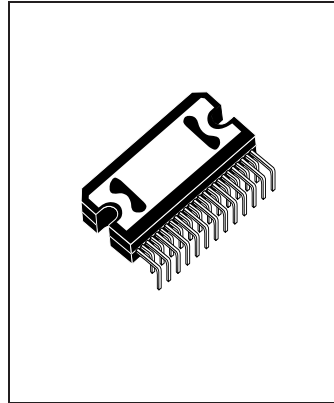


Figure 22. Flexiwatt25 (horizontal) mechanical data and package dimensions

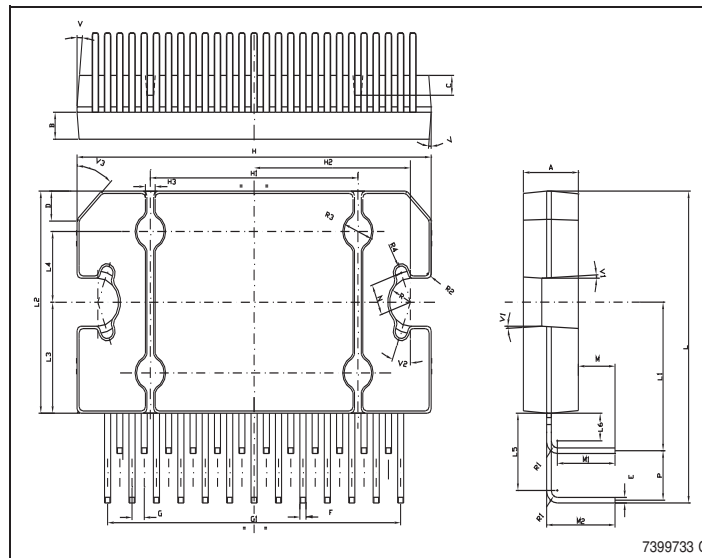
DIM.	mm			inch		
	MIN.	TYP.	MAX.	MIN.	TYP.	MAX.
A	4.45	4.50	4.65	0.175	0.177	0.183
B	1.80	1.90	2.00	0.070	0.074	0.079
C		1.40			0.055	
D		2.00			0.079	
E	0.37	0.39	0.42	0.014	0.015	0.016
F (1)			0.57			0.022
G	0.75	1.00	1.25	0.029	0.040	0.049
G1	23.70	24.00	24.30	0.933	0.945	0.957
H (2)	28.90	29.23	29.30	1.139	1.150	1.153
H1		17.00			0.669	
H2		12.80			0.503	
H3		0.80			0.031	
L (2)	21.64	22.04	22.44	0.852	0.868	0.883
L1	10.15	10.5	10.85	0.40	0.413	0.427
L2 (2)	15.50	15.70	15.90	0.610	0.618	0.626
L3	7.70	7.85	7.95	0.303	0.309	0.313
L4		5			0.197	
L5	5.15	5.45	5.85	0.203	0.214	0.23
L6	1.80	1.95	2.10	0.070	0.077	0.083
M	2.75	3.00	3.50	0.108	0.118	0.138
M1		4.73			0.186	
M2		5.61			0.220	
N		2.20			0.086	
P	3.20	3.50	3.80	0.126	0.138	0.15
R		1.70			0.067	
R1		0.50			0.02	
R2		0.30			0.12	
R3		1.25			0.049	
R4		0.50			0.02	
V	5 (typ.)					
V1	3 (typ.)					
V2	20 (typ.)					
V3	45 (typ.)					

(1): dam-bar protusion not included; (2): molding protusion included

OUTLINE AND MECHANICAL DATA



Flexiwatt25 (Horizontal)



7399733 C

## 6 Revision history

**Table 5. Document revision history**

Date	Revision	Changes
22-Nov-2006	1	Initial release.
27-Feb-2007	2	Added <a href="#">Chapter 3.4: Electrical characteristic curves</a> .
09-Oct-2007	3	Updated the values for the $dV_{OS}$ and $I_{q1}$ parameters on the <a href="#">Table 4</a> . Added <a href="#">Figure 20 on page 13</a> .
12-Sep-2008	4	Updated <a href="#">Figure 2: Standard test and application circuit</a> . Updated <a href="#">Section 4.4: DC offset detector</a> and <a href="#">Section 4.3: Standby and muting</a> . Updated the values of $V_{OS}$ and THD parameters on the <a href="#">Table 4</a> .
07-Nov-2008	5	Modified max. values of the THD distortion in <a href="#">Table 4: Electrical characteristics on page 8</a> .
17-Sep-2013	6	Updated Disclaimer.

**Please Read Carefully:**

Information in this document is provided solely in connection with ST products. STMicroelectronics NV and its subsidiaries ("ST") reserve the right to make changes, corrections, modifications or improvements, to this document, and the products and services described herein at any time, without notice.

All ST products are sold pursuant to ST's terms and conditions of sale.

Purchasers are solely responsible for the choice, selection and use of the ST products and services described herein, and ST assumes no liability whatsoever relating to the choice, selection or use of the ST products and services described herein.

No license, express or implied, by estoppel or otherwise, to any intellectual property rights is granted under this document. If any part of this document refers to any third party products or services it shall not be deemed a license grant by ST for the use of such third party products or services, or any intellectual property contained therein or considered as a warranty covering the use in any manner whatsoever of such third party products or services or any intellectual property contained therein.

**UNLESS OTHERWISE SET FORTH IN ST'S TERMS AND CONDITIONS OF SALE ST DISCLAIMS ANY EXPRESS OR IMPLIED WARRANTY WITH RESPECT TO THE USE AND/OR SALE OF ST PRODUCTS INCLUDING WITHOUT LIMITATION IMPLIED WARRANTIES OF MERCHANTABILITY, FITNESS FOR A PARTICULAR PURPOSE (AND THEIR EQUIVALENTS UNDER THE LAWS OF ANY JURISDICTION), OR INFRINGEMENT OF ANY PATENT, COPYRIGHT OR OTHER INTELLECTUAL PROPERTY RIGHT.**

**ST PRODUCTS ARE NOT DESIGNED OR AUTHORIZED FOR USE IN: (A) SAFETY CRITICAL APPLICATIONS SUCH AS LIFE SUPPORTING, ACTIVE IMPLANTED DEVICES OR SYSTEMS WITH PRODUCT FUNCTIONAL SAFETY REQUIREMENTS; (B) AERONAUTIC APPLICATIONS; (C) AUTOMOTIVE APPLICATIONS OR ENVIRONMENTS, AND/OR (D) AEROSPACE APPLICATIONS OR ENVIRONMENTS. WHERE ST PRODUCTS ARE NOT DESIGNED FOR SUCH USE, THE PURCHASER SHALL USE PRODUCTS AT PURCHASER'S SOLE RISK, EVEN IF ST HAS BEEN INFORMED IN WRITING OF SUCH USAGE, UNLESS A PRODUCT IS EXPRESSLY DESIGNATED BY ST AS BEING INTENDED FOR "AUTOMOTIVE, AUTOMOTIVE SAFETY OR MEDICAL" INDUSTRY DOMAINS ACCORDING TO ST PRODUCT DESIGN SPECIFICATIONS. PRODUCTS FORMALLY ESCC, QML OR JAN QUALIFIED ARE DEEMED SUITABLE FOR USE IN AEROSPACE BY THE CORRESPONDING GOVERNMENTAL AGENCY.**

Resale of ST products with provisions different from the statements and/or technical features set forth in this document shall immediately void any warranty granted by ST for the ST product or service described herein and shall not create or extend in any manner whatsoever, any liability of ST.

ST and the ST logo are trademarks or registered trademarks of ST in various countries.

Information in this document supersedes and replaces all information previously supplied.

The ST logo is a registered trademark of STMicroelectronics. All other names are the property of their respective owners.

© 2013 STMicroelectronics - All rights reserved

STMicroelectronics group of companies

Australia - Belgium - Brazil - Canada - China - Czech Republic - Finland - France - Germany - Hong Kong - India - Israel - Italy - Japan - Malaysia - Malta - Morocco - Philippines - Singapore - Spain - Sweden - Switzerland - United Kingdom - United States of America

[www.st.com](http://www.st.com)