



Chipsmall Limited consists of a professional team with an average of over 10 year of expertise in the distribution of electronic components. Based in Hongkong, we have already established firm and mutual-benefit business relationships with customers from,Europe,America and south Asia,supplying obsolete and hard-to-find components to meet their specific needs.

With the principle of “Quality Parts,Customers Priority,Honest Operation,and Considerate Service”,our business mainly focus on the distribution of electronic components. Line cards we deal with include Microchip,ALPS,ROHM,Xilinx,Pulse,ON,Everlight and Freescale. Main products comprise IC,Modules,Potentiometer,IC Socket,Relay,Connector.Our parts cover such applications as commercial,industrial, and automotives areas.

We are looking forward to setting up business relationship with you and hope to provide you with the best service and solution. Let us make a better world for our industry!



Contact us

Tel: +86-755-8981 8866 Fax: +86-755-8427 6832

Email & Skype: info@chipsmall.com Web: www.chipsmall.com

Address: A1208, Overseas Decoration Building, #122 Zhenhua RD., Futian, Shenzhen, China



PART NUMBER CODING

DU03DTON

MOUNTING STYLE

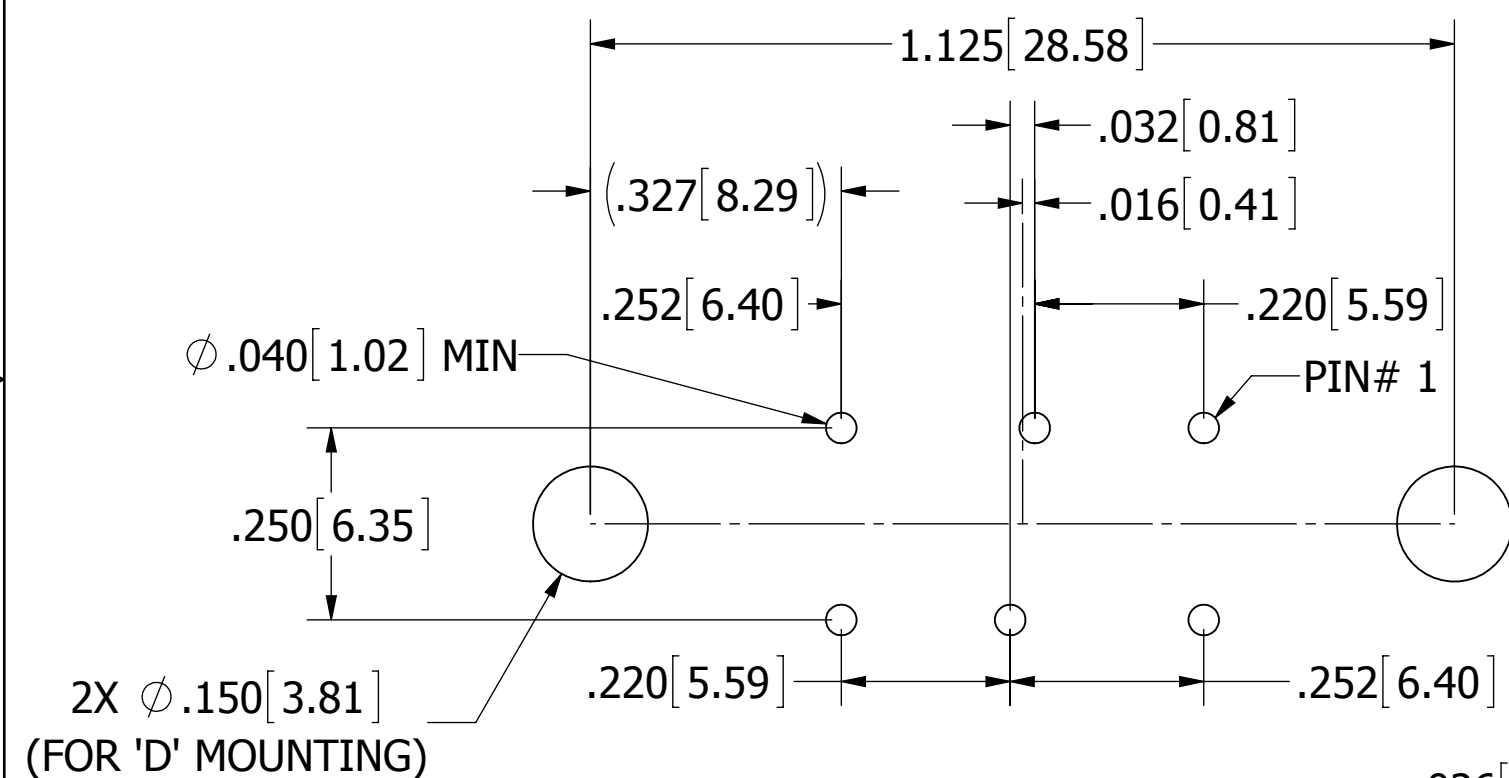
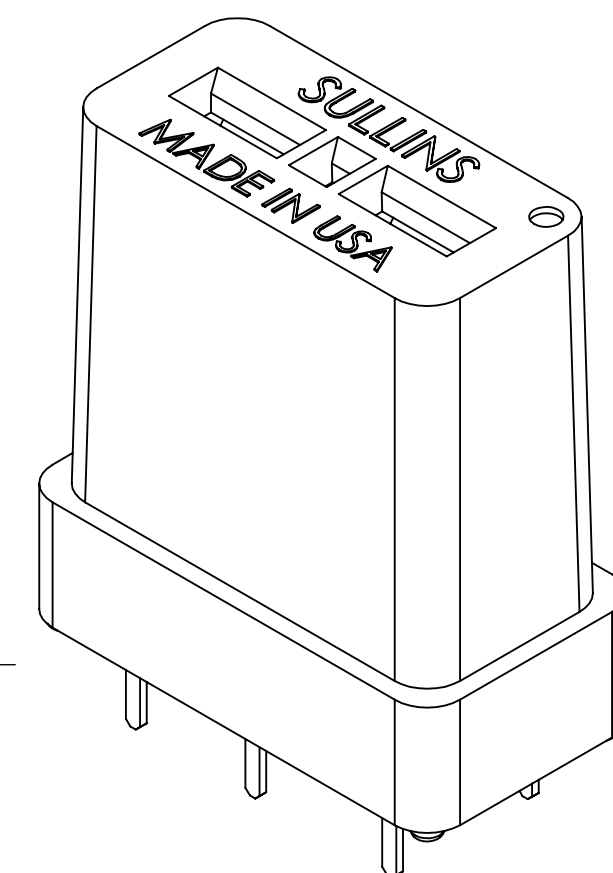
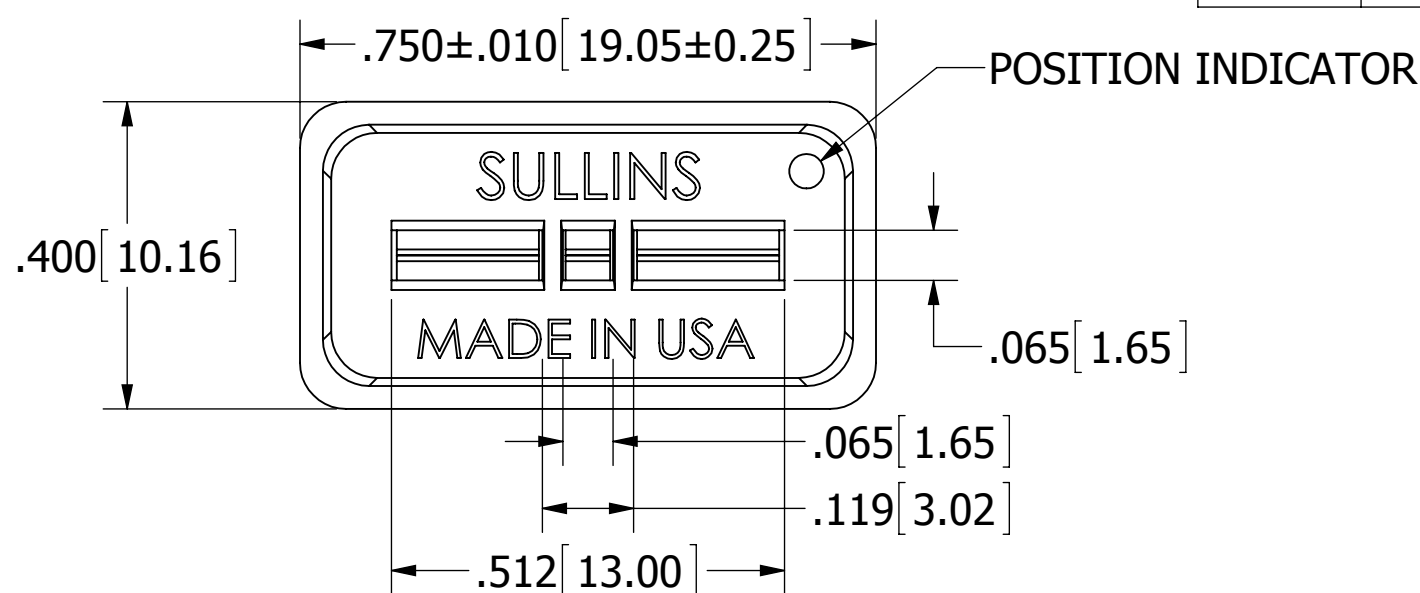
N= NO MOUNTING EAR
D= FLUSH MOUNTING (PAGE 2)

MATERIALS (INSULATOR / CONTACT)

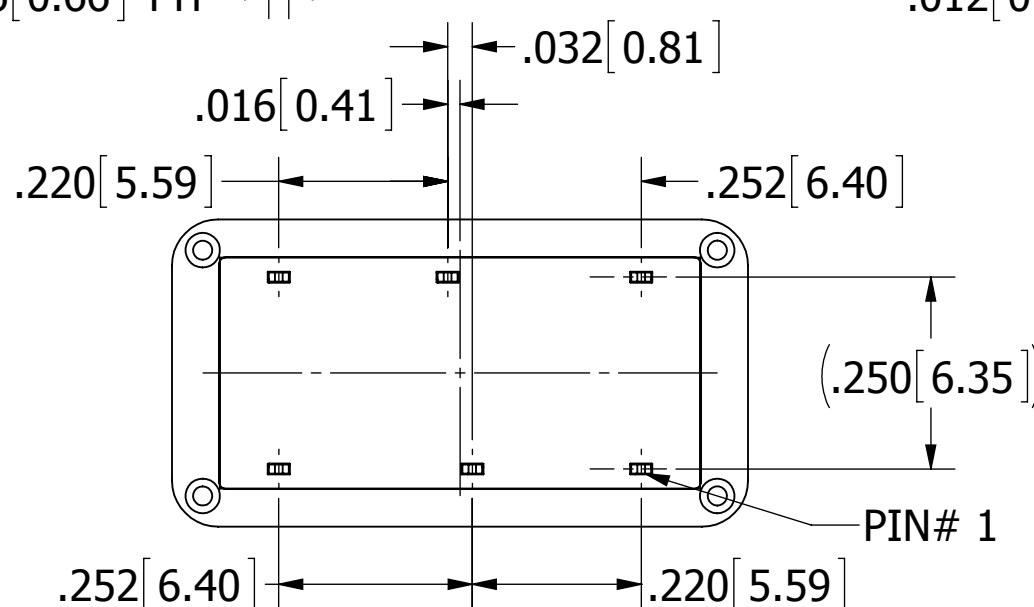
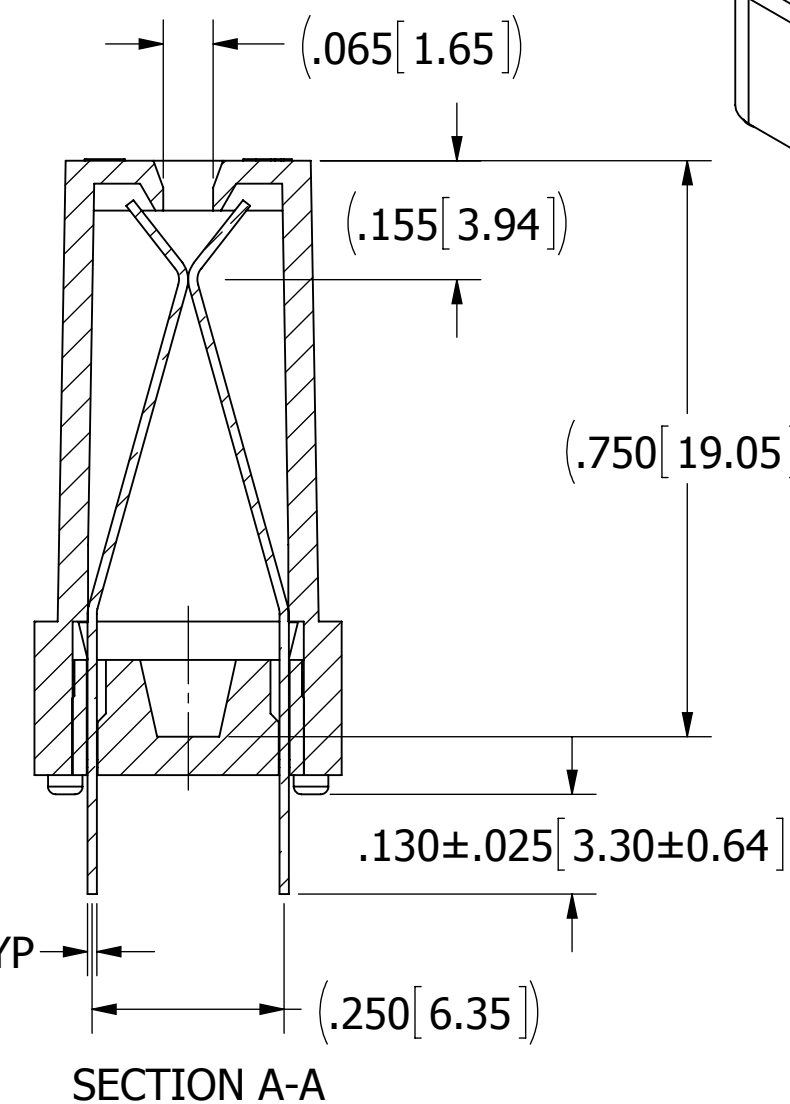
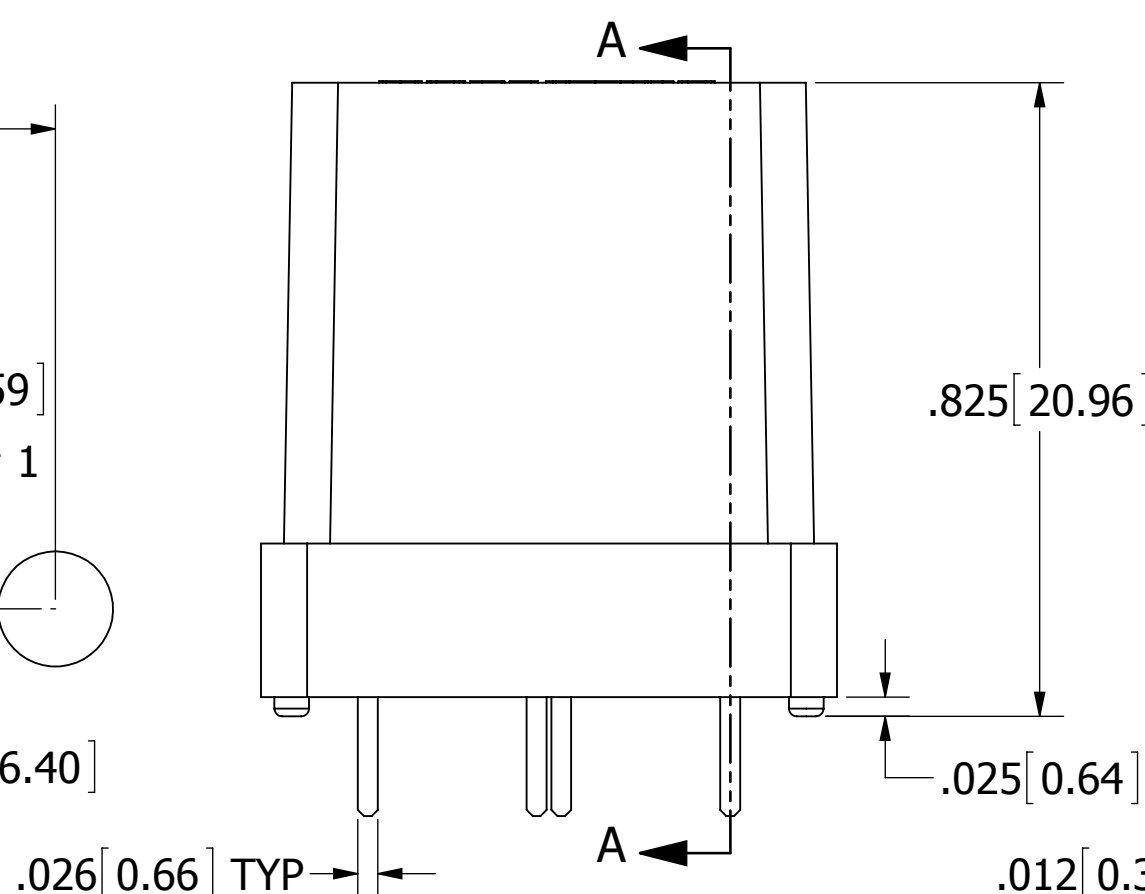
T = PPS/BERYLLIUM COPPER
OPERATING TEMP: -55°C TO +175°C
PROCESSING TEMP: 260°C MAX FOR 20 SECONDS

F = PPS/SPINODAL
OPERATING TEMP: -65°C TO +200°C
(CONSULT FACTORY FOR SPECIAL SOLDERING GUIDELINES)

REVISIONS				
REV.	ECO. NO	DESCRIPTION	DATE	BY
A	2747	INITIAL RELEASE	4/16/2013	JH
B	2825	UPDATE CURRENT RATING PER TESTING	8/22/2013	KV
C	3298	UPDATE NOTE 7 PER STR-022	9/28/2015	EP
D	3388	ADD 'F' MATERIAL OPTION PER ETR-114, UPDATE PROCESSING TEMP/TIME	2/24/2016	JH
E	3395	REMOVED 'S' PLATING OPTION	3/4/2016	JH



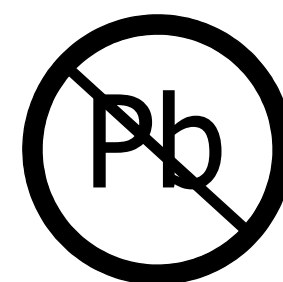
PCB LAYOUT RECOMMENDED (COMPONENT SIDE)



_DU03DTON

NOTES:

1. INSULATOR MATERIAL: SEE PART NUMBER CODING
2. CONTACT MATERIAL: SEE PART NUMBER CODING
3. PLATING: .000050" NICKEL UNDERPLATE, .000030" GOLD OVERALL
4. OPERATING TEMPERATURE: SEE PART NUMBER CODING
5. PROCESSING TEMP: SEE PART NUMBER CODING
6. UL FLAMMABILITY RATING: 94V-0
7. OPERATING VOLTAGE: 900 VAC
8. CURRENT RATING: 5 AMP
9. CONTACT RESISTANCE: 30 MILLI OHMS MAX
10. INSULATION RESISTANCE: 5000 MEGA OHMS
11. DURABILITY: 500 CYCLES MINIMUM
12. CONNECTOR IDENTIFICATION: THE PART SHALL BE MARKED WITH A PART NUMBER AND LOT CODE
13. ACCEPTS IN-LINE DEVICES UP TO 3 LEADS INCLUDING TO-3, TO-66, TO-247, TO-220, TO-258, TO 254, TO-257, TO-262 AND TO-264.
14. LEAD SIZE ACCOMMODATED: .010[0.25] - .060[1.52] THICK BY .060[1.52] WIDE MAX.



RoHS COMPLIANT

CUSTOMER COPY

UNLESS OTHERWISE SPECIFIED: DIMENSIONS ARE IN INCHES [MM]		DRAWN	DATE	NAME	
			1/31/2013	JH	
TOLERANCES:					THE INFORMATION HEREIN CONTAINS PROPRIETARY INFORMATION OF SULLINS ELECTRONICS AND IS NOT TO BE REPRODUCED, USED OR DISCLOSED TO OTHERS FOR ANY PURPOSE EXCEPT AS SPECIFICALLY AUTHORIZED IN WRITING BY AN OFFICER OF SULLINS ELECTRONICS.
ANGULAR: ± 1°					
DECIMALS .XX= ± .02 [.5] .XXX= ± .005 [.13] .XXXX= ± .0005 [.013]					
TITLE					TO SOCKET, KELVIN CONTACTS, ALL-IN-ONE
PART NUMBER					_DU03DTON_
SIZE	CAGE CODE	DWG. NO.	REV		
C	54453	C12112	E		
SCALE: 4:1		SHEET 1 OF 2			

8 7 6 5 4 3 2 1

F

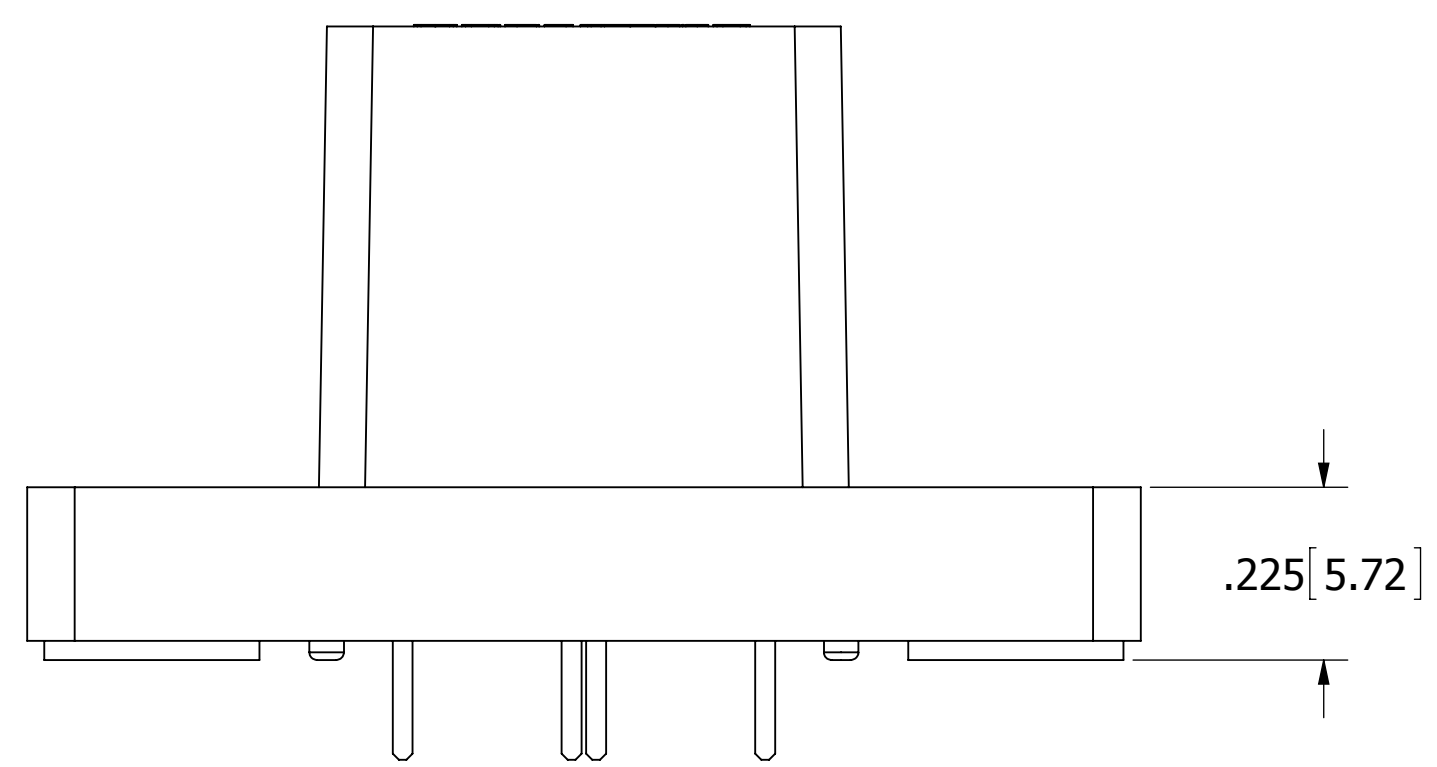
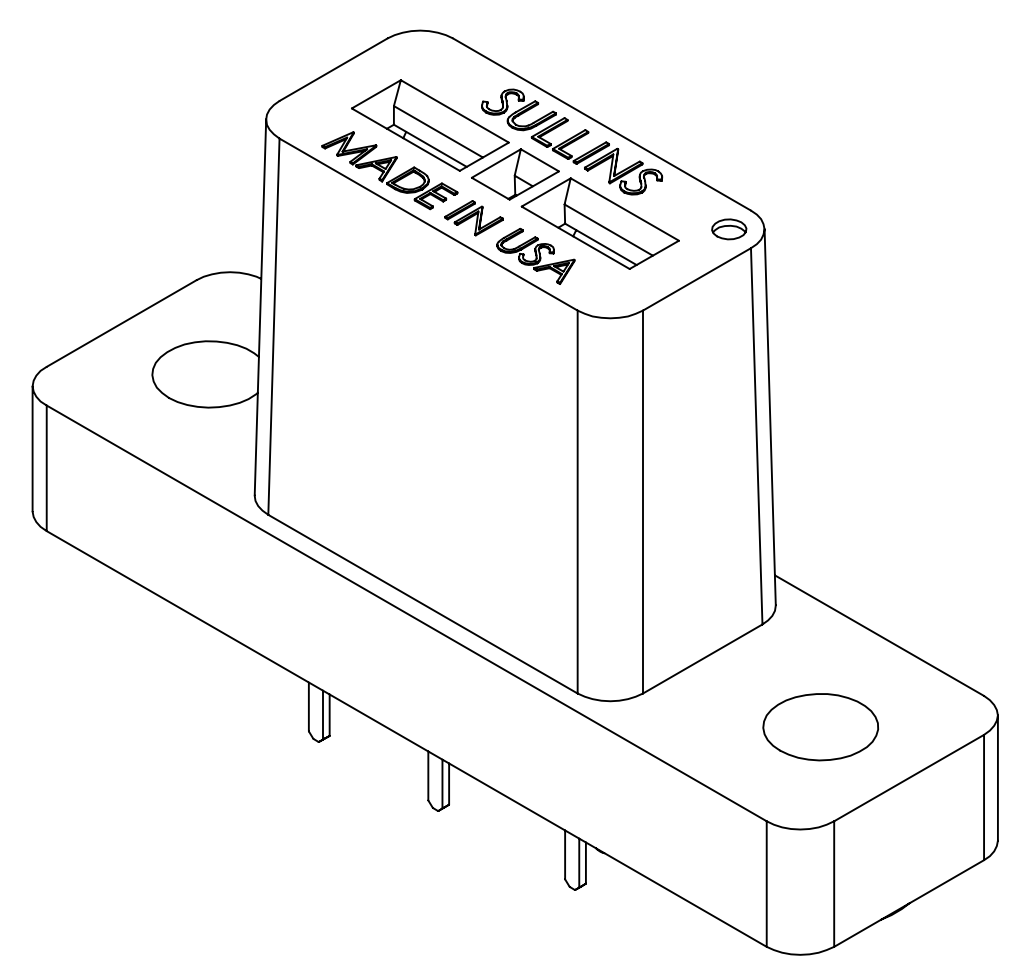
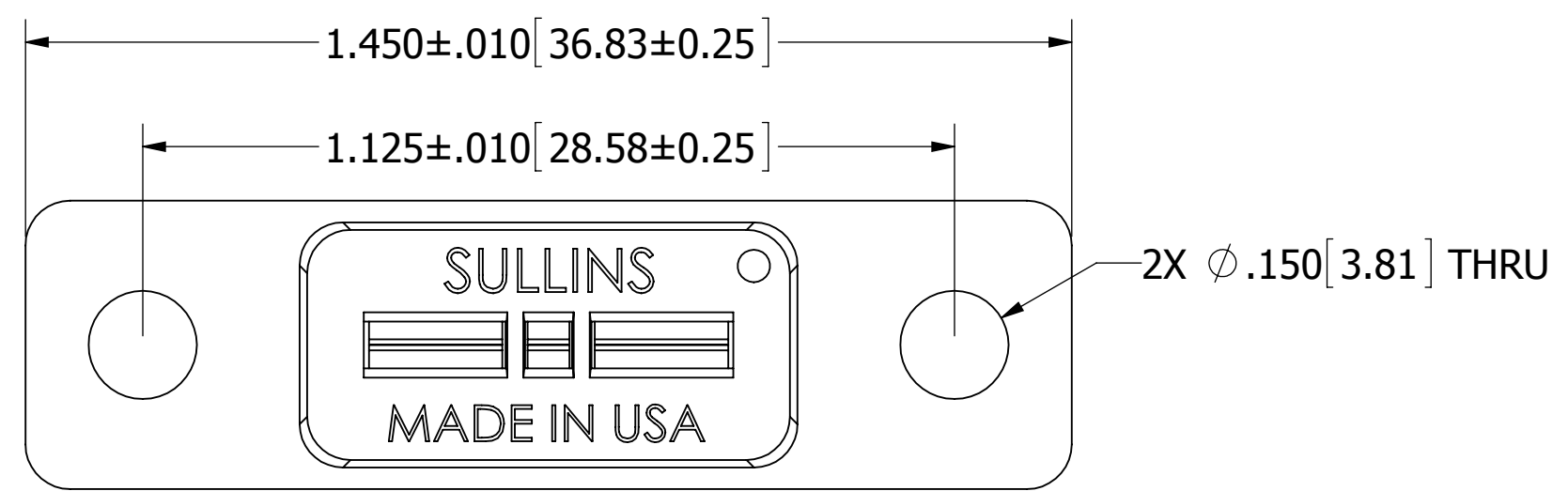
E

D

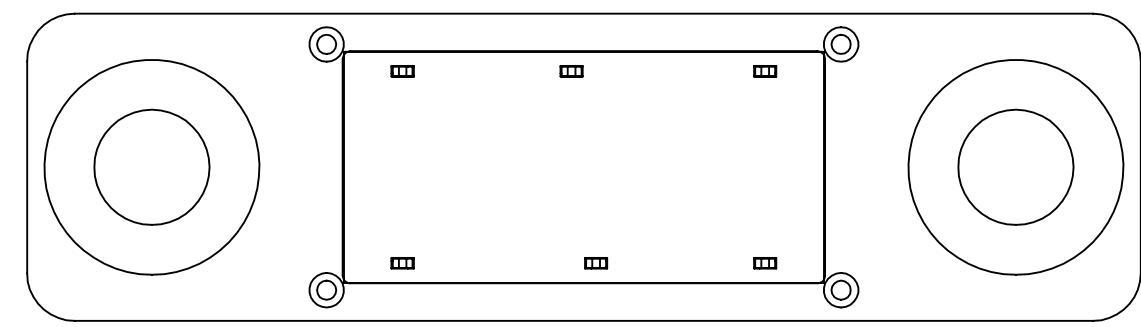
C

B

A



_DU03DTOD



CUSTOMER COPY



UNLESS OTHERWISE SPECIFIED: DIMENSIONS ARE IN INCHES [MM]		DRAWN	DATE	NAME	
			1/31/2013	JH	
TOLERANCES: ANGULAR: ± 1° DECIMALS .XX=± .02 [.5] .XXX=± .005 [.13] .XXXX=± .0005 [.013]					THE INFORMATION HEREIN CONTAINS PROPRIETARY INFORMATION OF SULLINS ELECTRONICS AND IS NOT TO BE REPRODUCED, USED OR DISCLOSED TO OTHERS FOR ANY PURPOSE EXCEPT AS SPECIFICALLY AUTHORIZED IN WRITING BY AN OFFICER OF SULLINS ELECTRONICS.
					TITLE TO SOCKET, KELVIN CONTACTS, ALL-IN-ONE
					PART NUMBER _DU03DTO_
SIZE	CAGE CODE	DWG. NO.		REV	
C	54453	C12112		E	
SCALE: 4:1				SHEET 2 OF 2	