



Chipsmall Limited consists of a professional team with an average of over 10 year of expertise in the distribution of electronic components. Based in Hongkong, we have already established firm and mutual-benefit business relationships with customers from,Europe,America and south Asia,supplying obsolete and hard-to-find components to meet their specific needs.

With the principle of “Quality Parts,Customers Priority,Honest Operation,and Considerate Service”,our business mainly focus on the distribution of electronic components. Line cards we deal with include Microchip,ALPS,ROHM,Xilinx,Pulse,ON,Everlight and Freescale. Main products comprise IC,Modules,Potentiometer,IC Socket,Relay,Connector.Our parts cover such applications as commercial,industrial, and automotives areas.

We are looking forward to setting up business relationship with you and hope to provide you with the best service and solution. Let us make a better world for our industry!



Contact us

Tel: +86-755-8981 8866 Fax: +86-755-8427 6832

Email & Skype: info@chipsmall.com Web: www.chipsmall.com

Address: A1208, Overseas Decoration Building, #122 Zhenhua RD., Futian, Shenzhen, China





TE0714 TRM

Revision: V.27

Date: 07-Jun-2017 19:10

Table of Contents

Overview	3
Key Features	3
Block Diagram	4
Main Components	5
Initial Delivery State	5
Signals, Interfaces and Pins	6
Board to Board (B2B) I/Os	6
JTAG Interface	6
On-board LED's	6
Clocking	7
Boot Process	8
On-board Peripherals	9
16 MByte Quad SPI Flash	9
Power and Power-On Sequence	10
Power Supply	10
Power Consumption	10
Power-On Sequence	10
Bank Voltages	10
Board to Board Connectors	11
Connector Mechanical Ratings	11
Manufacturer Documentation	11
Variants Currently In Production	13
Technical Specifications	14
Absolute Maximum Ratings	14
Recommended Operating Conditions	14
Operating Temperature Ranges	14
Physical Dimensions	15
Weight	15
Revision History	16
Hardware Revision History	16
Document Change History	16
Disclaimer	17
Document Warranty	17
Limitation of Liability	17
Copyright Notice	17
Technology Licenses	17
Environmental Protection	17
REACH, RoHS and WEEE	18

Overview

Refer to <https://wiki.trenz-electronic.de/display/PD/TE0714+TRM> for the online version of this manual and the rest of available documentation.

The Trenz Electronic TE0714 is an industrial-grade SoM (System on Module) based on Xilinx Artix-7, 16 MByte Flash memory and powerful switching mode power supplies for all on-board voltages. A large number of configurable I/O's is provided via rugged high-speed stacking strips. All modules in 4 x 5 cm form factor are mechanically compatible.

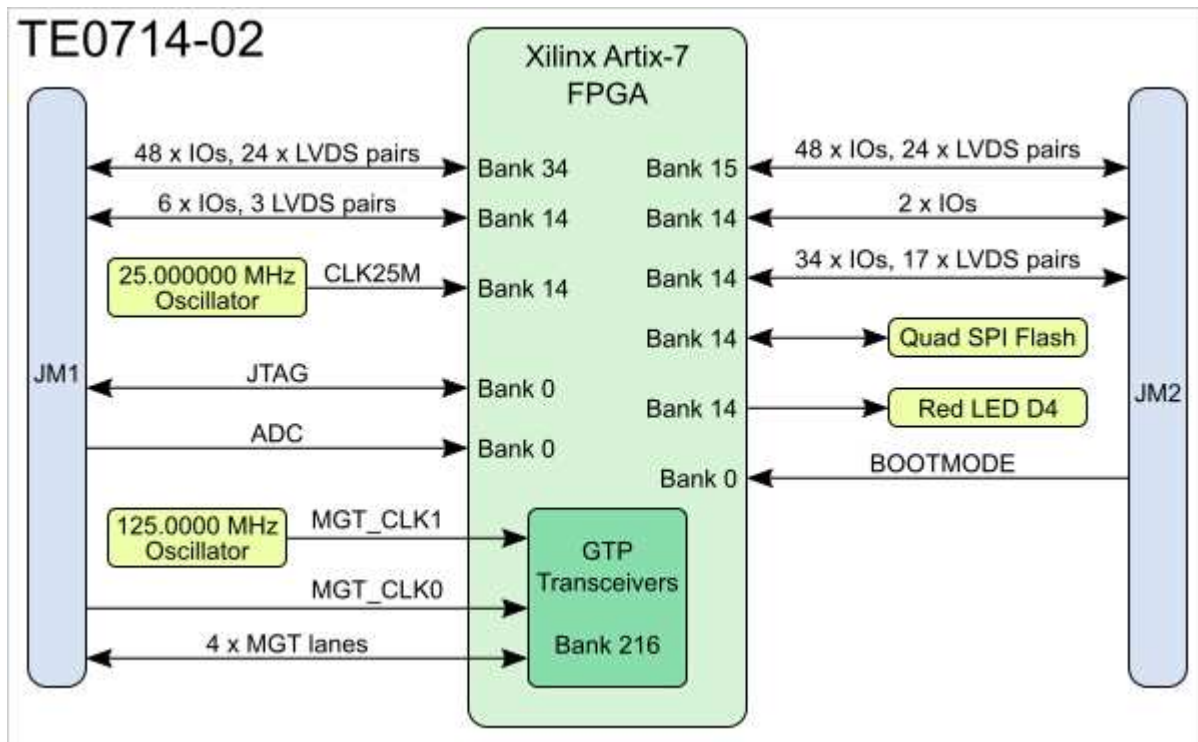
Key Features

- Xilinx Artix-7 FPGA (A15T, A35T, A50T)
- Rugged for shock and high vibration
- 16 MByte QSPI Flash memory
- Differential MEMS oscillator for MGT clocking
- MEMS oscillator for PL clocks (Optional)
- Plug-on module with 2 x 100-pin high-speed hermaphroditic strips
 - 144 FPGA I/O's (Max 68 differential)
 - XADC analog input
 - 4 GTP (high-performance transceiver) lanes
 - GT reference clock inputs
 - Optimized I/O and power pins for good signal integrity
- On-board high-efficiency DC-DC converters
- Power supply for all on-board components
- eFUSE bit-stream encryption (AES)
- One user configurable LED

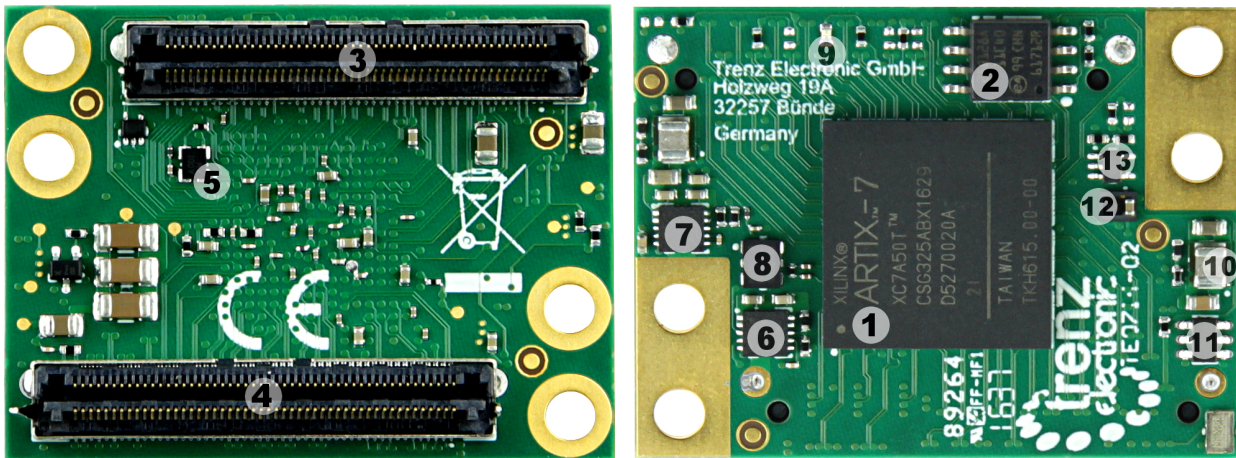
Different configurations for cost and performance optimization available upon request. Available options are:

- FPGA Type (A15T, A35T, A50T), temperature grade
- GT clock frequency (or none if not implemented)
- PL clock frequency and precision (or none if not implemented)
- Config and B14 bank Voltage: 1.8V or 3.3V
- SPI Flash type (or none if not implemented)
- LED Color (or none if not implemented)
- PUDC Pin strapping (pull high or pull down)
- GT power enable pin strapping (default power enabled or disabled)

Block Diagram



Main Components



1. Xilinx Artix-7 FPGA (XC7A series), U4
2. 16 MByte SPI Flash, U7
3. B2B connector Samtec Razor Beam™ LSHM-150, JM2
4. B2B connector Samtec Razor Beam™ LSHM-150, JM1
5. 25 MHz oscillator, U8
6. Single output low-dropout linear regulator (1.2V_MGT) , U6
7. Single output low-dropout linear regulator (1.0V_MGT) , U5
8. Low-jitter precision LVDS 125 MHz oscillator (GT Clock), U2
9. Red indication LED, D4
10. Step-down DC-DC converter (1.0V), U1
11. PFET load switch with configurable slew rate (3.3V), Q1
12. Low-power step-down DC-DC converter (1.8V), U3
13. Voltage detector for circuit initialization and timing supervision, U23

Initial Delivery State

Storage device name	Content	Notes
SPI Flash OTP Area	Empty, not programmed	Except serial number programmed by flash vendor
SPI Flash Quad Enable bit	Programmed	
SPI Flash main array	demo design	
eFUSE USER	Not programmed	
eFUSE Security	Not programmed	

Signals, Interfaces and Pins

Board to Board (B2B) I/Os

FPGA bank number and number of I/O signals connected to the B2B connector:

FPGA Bank	B2B Connector	I/O Signal Count	Voltage Level	Notes
14	JM1	6	VCCIO_0	
14	JM2	36	VCCIO_0	NB! 17 LVDS pairs possible.
15	JM2	48	VCCIO15	Supplied by the baseboard.
34	JM1	48	VCCIO34	Supplied by the baseboard.
216	JM1	16	MGT_AVCC MGT_AVTT	4 x GTP lanes.

Please refer to the [Pin-out](#) tables page for additional information.

JTAG Interface

JTAG access to the Xilinx Artix-7 FPGA device is provided through connector JM1.

Signal Name	B2B Pin
TCK	JM1:89
TDI	JM1:85
TDO	JM1:87
TMS	JM1:91

On-board LED's

There is one LED on TE0714 module:

LED	Color	FPGA	Notes
D4	Red	K18	


Clocking

Clock	Default Frequency	IC	FPGA	Notes
CLK125MHz	25 MHz	U8	T14	Frequency depends on the module variant. Output is compatible to 3.3V and 1.8V I/O standard of the FPGA bank.
MGT_CLK	125MHz	U2	B6/B5	Frequency depends on the module variant

Boot Process

Boot mode is controlled by the MODE signal on the board to board (B2B) connector:


MODE signal State	Boot Mode
high or open	Master SPI, x4 Mode
low or ground	Slave SelectMAP

 SPI D2 and D3 have no pull-ups on the module so with PUDC=High option, those pins are floating if there are no pull-ups on baseboard. As those pins have SPI RESET function when Quad mode is not enabled, it is mandatory to either add pull-ups on user baseboard or program the Quad Enable bit in Flash nonvolatile status register.

On-board Peripherals

16 MByte Quad SPI Flash

On-board SPI flash memory S25FL127S (U7) is used to store initial FPGA configuration. Besides FPGA configuration, remaining free flash memory can be used for user application storage. All four SPI data lines are connected to the FPGA allowing x1, x2 or x4 data bus widths. Maximum data rate depends on the bus width and clock frequency used.

 SPI Flash QE (Quad Enable) bit must be set to high or FPGA is unable to load its configuration from flash. By default this bit is set to high at the manufacturing plant.

Power and Power-On Sequence

To power-up a module, power supply with minimum current capability of 1A is recommended.

Power Supply

TE0714 needs one single power supply with nominal of 3.3V.

Power Consumption

Test Condition (25 °C ambient)	VIN Current mA	Notes
TE0714-35, TEBT0714, empty design, GT not enabled	110mA	

Actual power consumption depends on the FPGA design and ambient temperature.


Power-On Sequence

There is no specific or special power-on sequence, single power source is needed as VIN, rest of the sequence is automatic.

Bank Voltages

Bank	Voltage	Notes
0 Config and B14	1.8V or 3.3V	Depends on module variant
15	User	Supplied from baseboard via B2B connector, max 3.3V
34	User	Supplied from baseboard via B2B connector, max 3.3V

Board to Board Connectors

 Board to board connectors are hermaphroditic. Odd pin numbers are connected to even pin numbers on the mating connector and vice versa.

The Trenz Electronic modules use 100-pin REF-189016-02 and 60-pin REF-189017-02 connectors which are compatible with Samtec Razor Beam LSHM type connectors (see table below). When using the same type of connectors on baseboard, mating height will be 8mm. Other mating heights are possible by using connectors with a different height.

Baseboard Connector	Compatible Connector	Number of Pins	Mating height
REF-189016-01	LSHM-150-02.5-L-DV-A-S-K-TR	100 (2 x 50)	6.5 mm
LSHM-150-03.0-L-DV-A-S-K-TR	LSHM-150-03.0-L-DV-A-S-K-TR	100 (2 x 50)	7.0 mm
REF-189016-02	LSHM-150-04.0-L-DV-A-S-K-TR	100 (2 x 50)	8.0 mm
LSHM-150-06.0-L-DV-A-S-K-TR	LSHM-150-06.0-L-DV-A-S-K-TR	100 (2 x 50)	10.0mm
REF-189017-01	LSHM-130-02.5-L-DV-A-S-K-TR	60 (2 x 30)	6.5 mm
LSHM-130-03.0-L-DV-A-S-K-TR	LSHM-130-03.0-L-DV-A-S-K-TR	60 (2 x 30)	7.0 mm
REF-189017-02	LSHM-130-04.0-L-DV-A-S-K-TR	60 (2 x 30)	8.0 mm
LSHM-130-06.0-L-DV-A-S-K-TR	LSHM-130-06.0-L-DV-A-S-K-TR	60 (2 x 30)	10.0mm

Modules can be manufactured using different type of connectors upon request.

The LSHM connector speed rating depends on the stacking height:

Stacking Height	Speed Rating
12 mm, Single-Ended	7.5 GHz / 15 Gbps
12 mm, Differential	6.5 GHz / 13 Gbps
5 mm, Single-Ended	11.5 GHz / 23 Gbps
5 mm, Differential	7.9 GHz / 14 Gbps

Connector Mechanical Ratings

- Shock: 100G, 6 ms Sine
- Vibration: 7.5G random, 3 hours 3 axis

Manufacturer Documentation

Variants Currently In Production

Module Variant	FPGA Chip Model	B14/Config Voltage [V]	R27 (VCCIO_0 on JM2 Pin 54)	SPI Flash
TE0714-02-35-2I	XC7A35T-2CSG325I	3.3	JM2 Pin 54 = VCCIO_0 (3.3 V)	S25FL127S
TE0714-02-35-2IC6	XC7A35T-2CSG325I	1.8	JM2 Pin 54 = Open	N25Q128
TE0714-02-50-2I	XC7A50T-2CSG325I	3.3	JM2 Pin 54 = VCCIO_0 (3.3 V)	S25FL127S
TE0714-02-50-2IC6	XC7A50T-2CSG325I	1.8	JM2 Pin 54 = Open	N25Q128



On REV 01 JM2 Pin 54 was connected to GND. When R27 is not populated, REV 02 is backwards compatible to REV 01. When R27 is set, check your baseboard to not connect this pin to GND. For all new baseboards JM2.54 should be used as VCCIO output (it will then be 1.8V or 3.3V depending the voltage settings on the module).

Technical Specifications

Absolute Maximum Ratings

Parameter	Min	Max	Units	Notes
VIN supply voltage	-0.1	6.0	V	-
HR I/O banks supply voltage (VCCO)	-0.5	3.6	V	Xilinx datasheet DS181
HR I/O banks input voltage	-0.4	VCCO + 0.55	V	Xilinx datasheet DS181
GTP transceivers Tx/Rx input voltage	-0.5	1.26	V	Xilinx datasheet DS181
Voltage on module JTAG pins	-0.4	VCCO_0 + 0.55	V	Xilinx datasheet DS181
Storage temperature	-40	+85	°C	-

Recommended Operating Conditions

Parameter	Min	Max	Units	Notes
VIN supply voltage	3.135	3.45	V	-
HR I/O banks supply voltage (VCCO)	1.14	3.465	V	Xilinx datasheet DS181
HR I/O banks input voltage	-0.20	VCCO + 0.20	V	Xilinx datasheet DS181
Voltage on module JTAG pins	3.135	3.465	V	Xilinx datasheet DS181

Operating Temperature Ranges

Commercial grade: 0°C to +70°C.

Industrial grade: -40°C to +85°C.

Operating temperature range depends also on customer design and cooling solution. Please contact us for options.

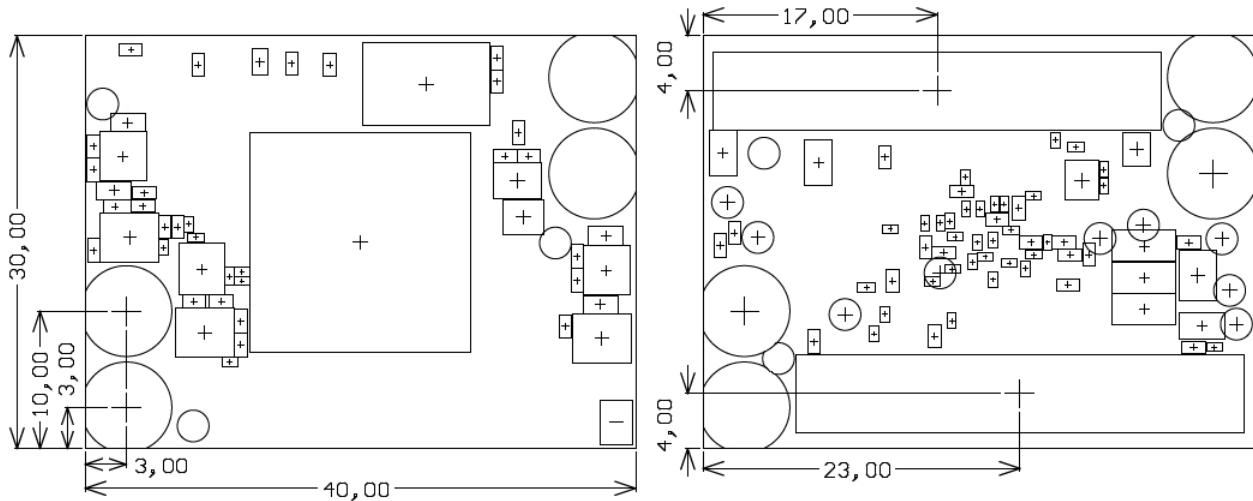


Please check Xilinx datasheet DS181 for complete list of absolute maximum and recommended operating ratings for the Artix-7.

Physical Dimensions

- Module size: 40 mm × 30 mm. Please download the assembly diagram for exact numbers.
- Mating height with standard connectors: 8 mm
- PCB thickness: 1.6 mm
- Highest part on PCB: approximately 2.5 mm. Please download the step model for exact numbers.

All dimensions are shown in mm. Additional sketches, drawings and schematics can be found [here](#).



Weight

Variant	Weight in g	Note
2IC6	8.3	Plain Module

Revision History

Hardware Revision History

Date	Revision	Notes	PCN Link	Documentation Link
2016-08-04	02	VCCIO0 added to B2B	PCN-20160815	TE0714-02
	01	-	-	TE0714-01

Hardware revision number is printed on the PCB board next to the module model number separated by the dash.



Document Change History

Date	Revision	Authors	Description
2017-05-28	V.27	Jan Kumann	Board-to-Board I/O section added. New physical dimensions images. Documents sections rearranged.
2017-03-20	V.26	John Hartfiel	Notes on Clocking section.
2017-01-27	v.25	Jan Kumann	New block diagram.
2016-12-01	v.17	Jan Kumann	Changes in the document structure, few corrections.
2016-11-18	v.14	Thorsten Trenz, Emmanuel Vassilakis	Hardware revision 02 specific changes.
2016-06-01	v.9	Antti Lukats	Initial version.

Disclaimer

Document Warranty

The material contained in this document is provided “as is” and is subject to being changed at any time without notice. Trenz Electronic does not warrant the accuracy and completeness of the materials in this document. Further, to the maximum extent permitted by applicable law, Trenz Electronic disclaims all warranties, either express or implied, with regard to this document and any information contained herein, including but not limited to the implied warranties of merchantability, fitness for a particular purpose or non infringement of intellectual property. Trenz Electronic shall not be liable for errors or for incidental or consequential damages in connection with the furnishing, use, or performance of this document or of any information contained herein.

Limitation of Liability

In no event will Trenz Electronic, its suppliers, or other third parties mentioned in this document be liable for any damages whatsoever (including, without limitation, those resulting from lost profits, lost data or business interruption) arising out of the use, inability to use, or the results of use of this document, any documents linked to this document, or the materials or information contained at any or all such documents. If your use of the materials or information from this document results in the need for servicing, repair or correction of equipment or data, you assume all costs thereof.

Copyright Notice

No part of this manual may be reproduced in any form or by any means (including electronic storage and retrieval or translation into a foreign language) without prior agreement and written consent from Trenz Electronic.

Technology Licenses

The hardware / firmware / software described in this document are furnished under a license and may be used /modified / copied only in accordance with the terms of such license.

Environmental Protection

To confront directly with the responsibility toward the environment, the global community and eventually also oneself. Such a resolution should be integral part not only of everybody's life. Also enterprises shall be conscious of their social responsibility and contribute to the preservation of our common living space. That is why Trenz Electronic invests in the protection of our Environment.

REACH, RoHS and WEEE

REACH

Trenz Electronic is a manufacturer and a distributor of electronic products. It is therefore a so called downstream user in the sense of [REACH](#). The products we supply to you are solely non-chemical products (goods). Moreover and under normal and reasonably foreseeable circumstances of application, the goods supplied to you shall not release any substance. For that, Trenz Electronic is obliged to neither register nor to provide safety data sheet. According to present knowledge and to best of our knowledge, no [SVHC \(Substances of Very High Concern\) on the Candidate List](#) are contained in our products. Furthermore, we will immediately and unsolicited inform our customers in compliance with REACH - Article 33 if any substance present in our goods (above a concentration of 0,1 % weight by weight) will be classified as SVHC by the [European Chemicals Agency \(ECHA\)](#).

RoHS

Trenz Electronic GmbH herewith declares that all its products are developed, manufactured and distributed RoHS compliant.

WEEE

Information for users within the European Union in accordance with Directive 2002/96/EC of the European Parliament and of the Council of 27 January 2003 on waste electrical and electronic equipment (WEEE).

Users of electrical and electronic equipment in private households are required not to dispose of waste electrical and electronic equipment as unsorted municipal waste and to collect such waste electrical and electronic equipment separately. By the 13 August 2005, Member States shall have ensured that systems are set up allowing final holders and distributors to return waste electrical and electronic equipment at least free of charge. Member States shall ensure the availability and accessibility of the necessary collection facilities. Separate collection is the precondition to ensure specific treatment and recycling of waste electrical and electronic equipment and is necessary to achieve the chosen level of protection of human health and the environment in the European Union. Consumers have to actively contribute to the success of such collection and the return of waste electrical and electronic equipment. Presence of hazardous substances in electrical and electronic equipment results in potential effects on the environment and human health. The symbol consisting of the crossed-out wheeled bin indicates separate collection for waste electrical and electronic equipment.

Trenz Electronic is registered under WEEE-Reg.-Nr. DE97922676.

Refer to <https://wiki.trenz-electronic.de/display/PD/TE0713+TRM> for online version