



Chipsmall Limited consists of a professional team with an average of over 10 year of expertise in the distribution of electronic components. Based in Hongkong, we have already established firm and mutual-benefit business relationships with customers from,Europe,America and south Asia,supplying obsolete and hard-to-find components to meet their specific needs.

With the principle of “Quality Parts,Customers Priority,Honest Operation,and Considerate Service”,our business mainly focus on the distribution of electronic components. Line cards we deal with include Microchip,ALPS,ROHM,Xilinx,Pulse,ON,Everlight and Freescale. Main products comprise IC,Modules,Potentiometer,IC Socket,Relay,Connector.Our parts cover such applications as commercial,industrial, and automotives areas.

We are looking forward to setting up business relationship with you and hope to provide you with the best service and solution. Let us make a better world for our industry!



Contact us

Tel: +86-755-8981 8866 Fax: +86-755-8427 6832

Email & Skype: info@chipsmall.com Web: www.chipsmall.com

Address: A1208, Overseas Decoration Building, #122 Zhenhua RD., Futian, Shenzhen, China





TEA6420

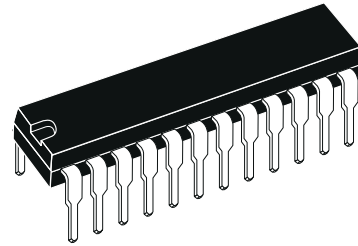
BUS-CONTROLLED AUDIO MATRIX SWITCH

- 5 Stereo Inputs
- 4 Stereo Outputs
- Gain Control 0/2/4/6dB/Mute for each Output
- cascadable (2 different addresses)
- Serial Bus Controlled
- Very low Noise
- Very low Distorsion

DESCRIPTION

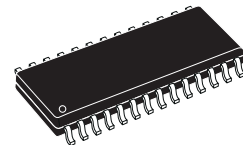
The TEA6420 switches 5 stereo audio inputs on 4 stereo outputs.

All the switching possibilities are changed through the I²C bus.



**SHRINK DIP 24
(Plastic Package)**

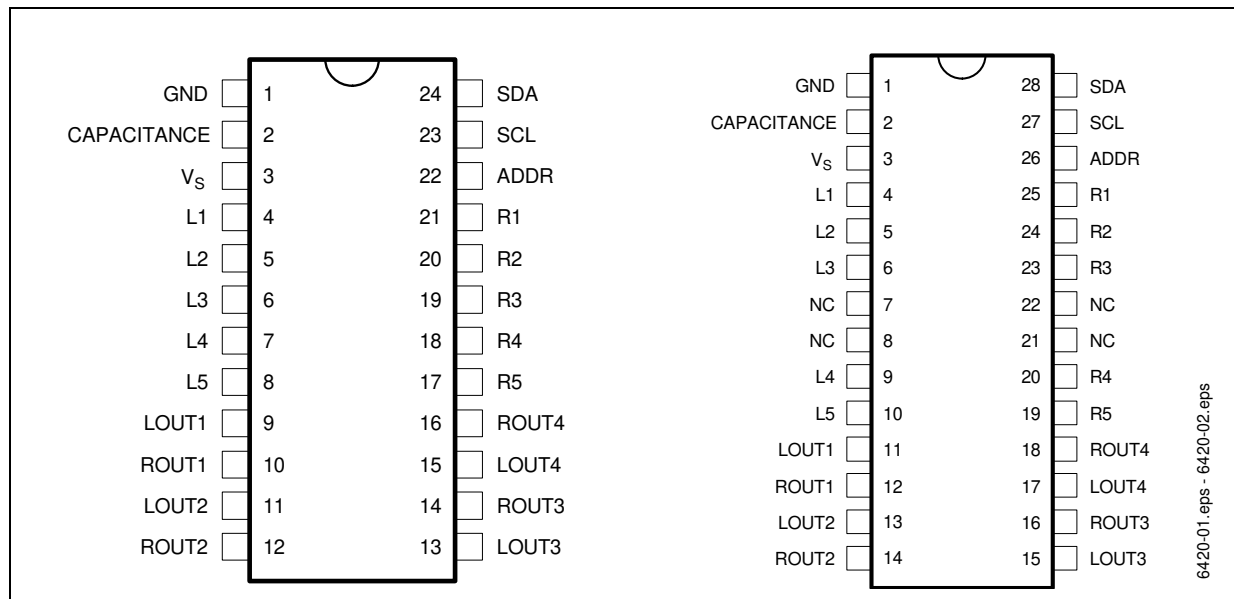
ORDER CODE: TEA6420



**SO28
(Plastic Micropackage)**

ORDER CODE: TEA6420D

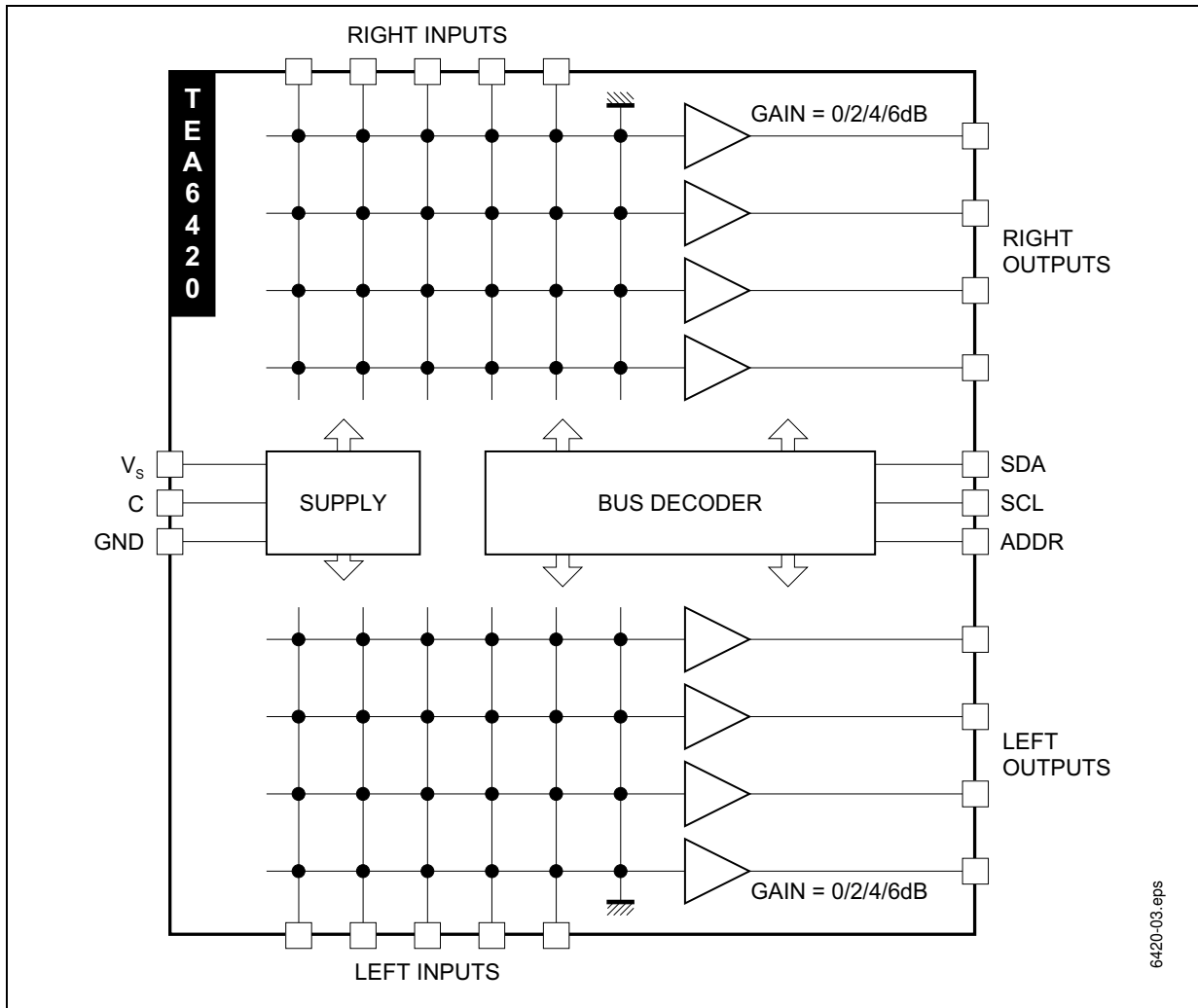
Figure 1. PIN CONNECTIONS



6420-01.eps - 6420-02.eps

TEA6420

Figure 2. BLOCK DIAGRAM



6420-03.eps

ABSOLUTE MAXIMUM RATINGS

Symbol	Parameter	Value	Unit
V_{CC}	Supply Voltage (Pin 9)	12	V
T_{OPER}	Operating Ambient Temperature Range	0 to +70	°C
T_{stg}	Storage Temperature Range	-20 to +150	°C

THERMAL DATA

Symbol	Parameter+	Value	Unit
$R_{th(j-a)}$	Junction-Ambient Thermal Resistance	SDIP24 75 SO28 75	°C/W

ELECTRICAL CHARACTERISTICS

$T_A = 25^{\circ}\text{C}$, $V_S = 10\text{V}$, $R_L = 10\text{k}\Omega$, $R_G = 600\Omega$, $f = 1\text{kHz}$ (unless otherwise specified)

Symbol	Parameter	Test Conditions	Min.	Typ.	Max.	Unit
SUPPLY						
V_S	Supply Voltage		8	9	10.2	V
I_S	Supply Current			5	8	mA
SVR	Ripple Rejection	$V_{IN} = 500\text{mV}_{RMS}$, BW = 20 - 20kHz	70	80		dB
MATRIX						
V_{IN}	Input DC Level		4.5	5	5.5	V
R_I	Input Resistance		30	50	100	k Ω
C_S	Channel Separation	$V_{IN} = 2V_{RMS}$ Gain = 0dB $f = 1\text{kHz}$ Gain = 6dB	80 70	90 82		dB dB
OUTPUT BUFFER						
V_{OUT}	Output DC Level		4.5	5	5.5	V
R_{OUT}	Output Resistance			70	200	W
e_{NI}	Input Noise	BW = 20 - 20kHz, flat		3		μV
S/N	Signal to Noise Ratio	$V_{IN} = V_{OUT} = 1V_{RMS}$		110		dB
G_{min}	Min. Gain		-1	0	+1	dB
G_{max}	Max. Gain		5	6	7	dB
d	Distortion	$V_{IN} = V_{OUT} = 1V_{RMS}$		0.01	0.05	%
V_{CL}	Clipping Level	$d = 0.3\%$	2	2.5		V_{RMS}
R_L	Output Load Resistance		2			k Ω
BUS INPUT						
V_{IL}	Input Low Voltage				1.5	V
V_{IH}	Input High Voltage		3			V
I_I	Input Current		-10		10	μA
V_O	Output Voltage	$I_O = 3\text{mA}$; SDA Acknowledge pin			0.4	V
R_{pu}	ADDR Pullup Resistor	Note	40	50		k Ω

TEA6420

SOFTWARE SPECIFICATION

1. Chip address

Address	HEX	ADDR
1001 1000	98	0
1001 1010	9A	1

2. Data bytes

Output select								
X	0	0	G ₁	G ₀	I ₂	I ₁	I ₀	Output 1 Output 2 Output 3 Output 4
	0	1						
	1	0						
	1	1						
Input select								
X	Q ₁	Q ₀	G ₁	G ₀	0	0	0	Input 1 Input 2 Input 3 Input 4 Input 5 Mute
					0	0	1	
					0	1	0	
					0	1	1	
					1	0	0	
					1	0	1	
Gain select								
X	Q ₁	Q ₀	0	0	I ₂	I ₁	I ₀	Gain = 6 dB Gain = 4 dB Gain = 2 dB Gain = 0 dB
			0	1				
			1	0				
			1	1				

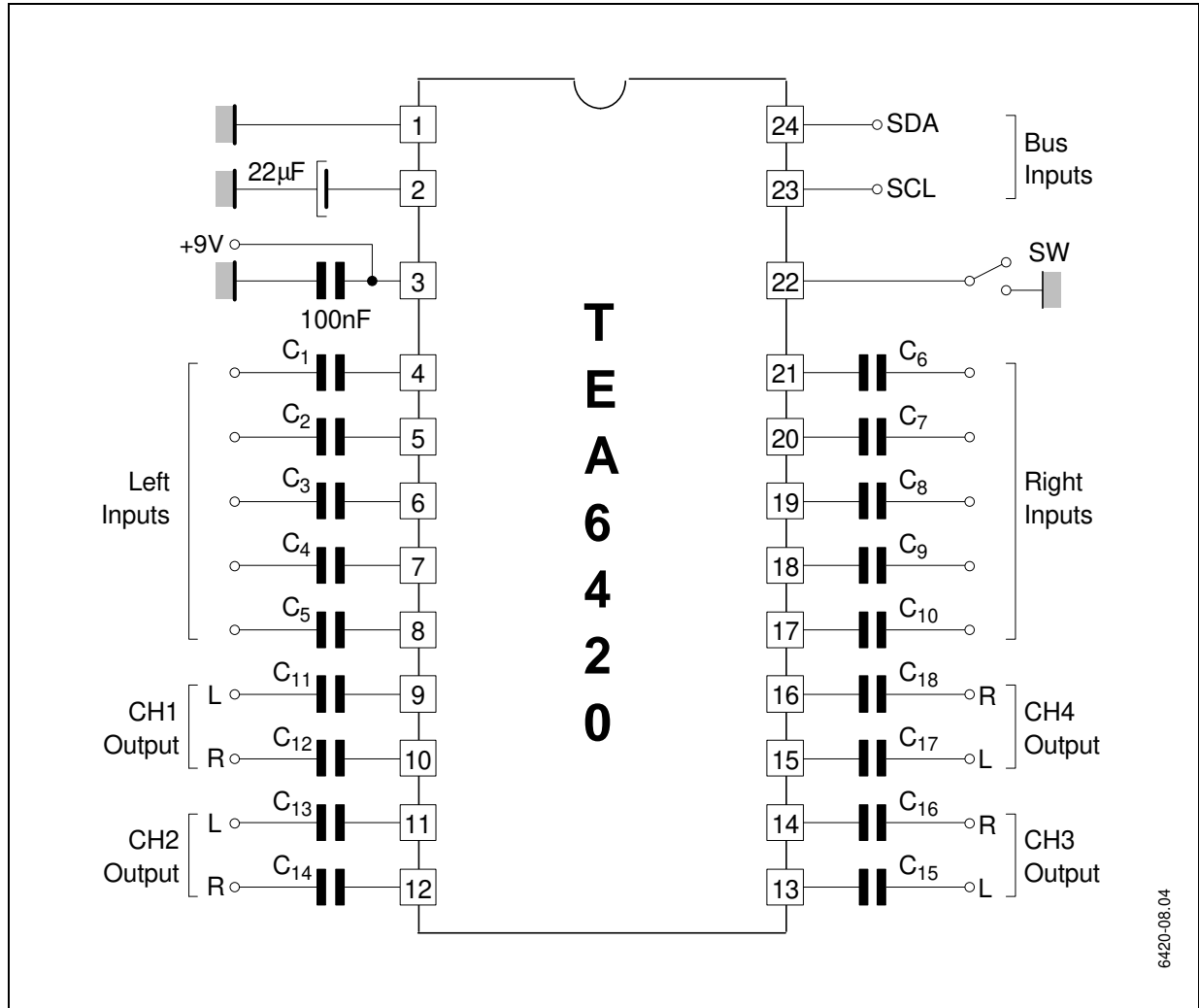
X = don't care - MSB is transmitted first

Example : X1001100 connects output 3 with input 5 at a gain of 4dB

The following are selected after power-on reset : input 5 selected for all outputs ; gain = 0dB.

TYPICAL APPLICATION

Figure 3.

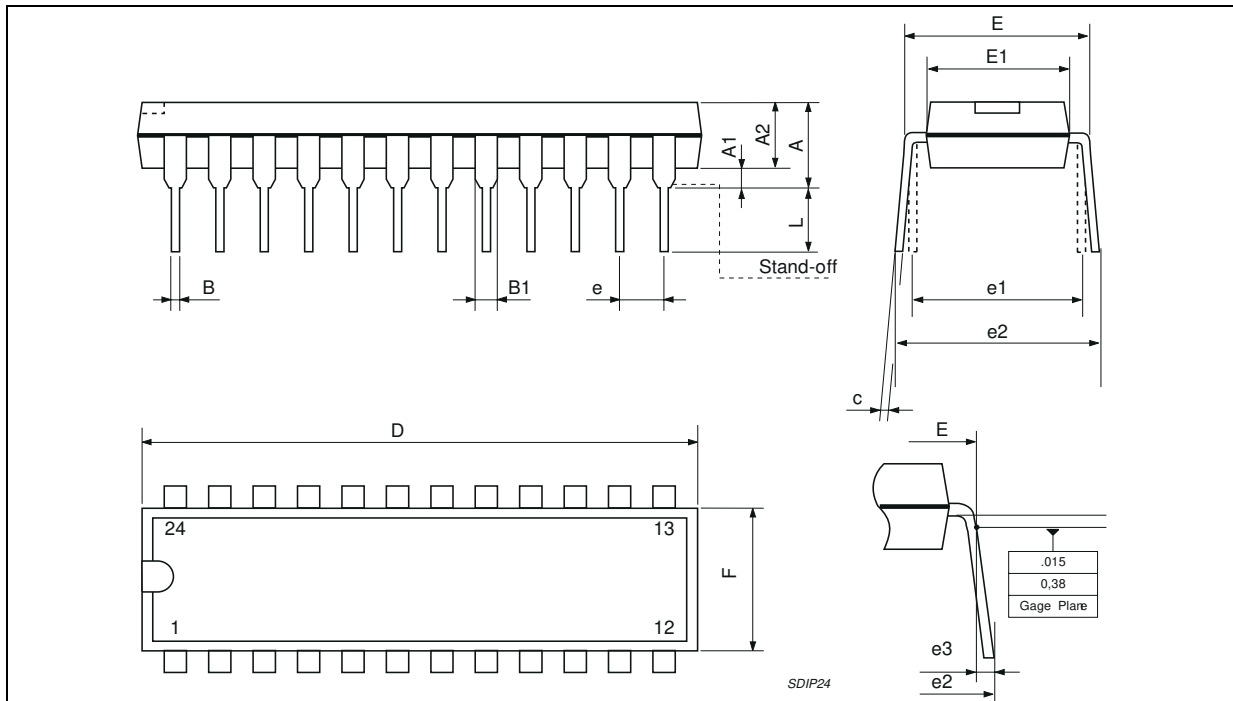


TEA6420

PACKAGE MECHANICAL DATA

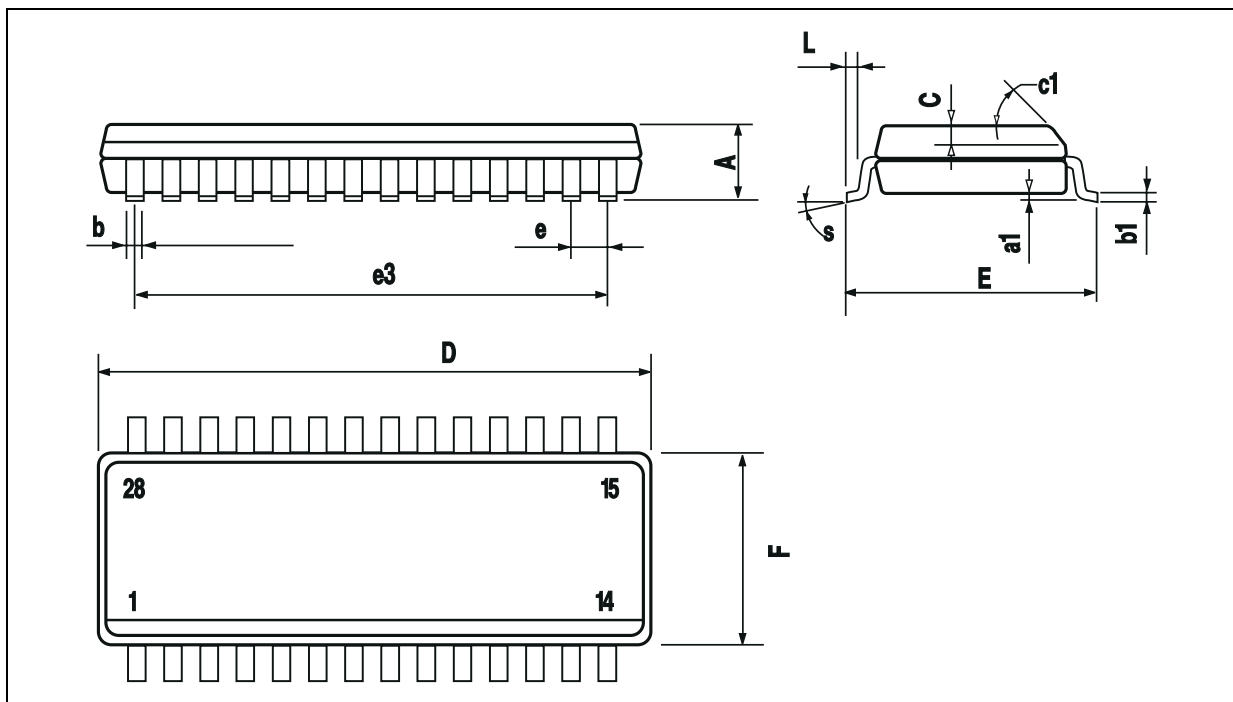
24 PINS - PLASTIC DIP

Figure 4. 24-Pin Package



28 PINS - PLASTIC SO

Figure 5. 28-Pin Package



Information furnished is believed to be accurate and reliable. However, STMicroelectronics assumes no responsibility for the consequences of use of such information nor for any infringement of patents or other rights of third parties which may result from its use. No license is granted by implication or otherwise under any patent or patent rights of STMicroelectronics. Specifications mentioned in this publication are subject to change without notice. This publication supersedes and replaces all information previously supplied. STMicroelectronics products are not authorized for use as critical components in life support devices or systems without the express written approval of STMicroelectronics.

The ST logo is a registered trademark of STMicroelectronics

©2006 STMicroelectronics - All Rights Reserved.

Purchase of I²C Components by STMicroelectronics conveys a license under the Philips I²C Patent. Rights to use these components in an I²C system is granted provided that the system conforms to the I²C Standard Specification as defined by Philips.

STMicroelectronics Group of Companies

Australia - Belgium - Brazil - Canada - China - Czech Republic - Finland - France - Germany - Hong Kong - India - Israel - Italy - Japan - Malaysia - Malta - Morocco - Singapore - Spain - Sweden - Switzerland - United Kingdom - United States of America.

<http://www.st.com>