



Chipsmall Limited consists of a professional team with an average of over 10 year of expertise in the distribution of electronic components. Based in Hongkong, we have already established firm and mutual-benefit business relationships with customers from,Europe,America and south Asia,supplying obsolete and hard-to-find components to meet their specific needs.

With the principle of “Quality Parts,Customers Priority,Honest Operation,and Considerate Service”,our business mainly focus on the distribution of electronic components. Line cards we deal with include Microchip,ALPS,ROHM,Xilinx,Pulse,ON,Everlight and Freescale. Main products comprise IC,Modules,Potentiometer,IC Socket,Relay,Connector.Our parts cover such applications as commercial,industrial, and automotives areas.

We are looking forward to setting up business relationship with you and hope to provide you with the best service and solution. Let us make a better world for our industry!



Contact us

Tel: +86-755-8981 8866 Fax: +86-755-8427 6832

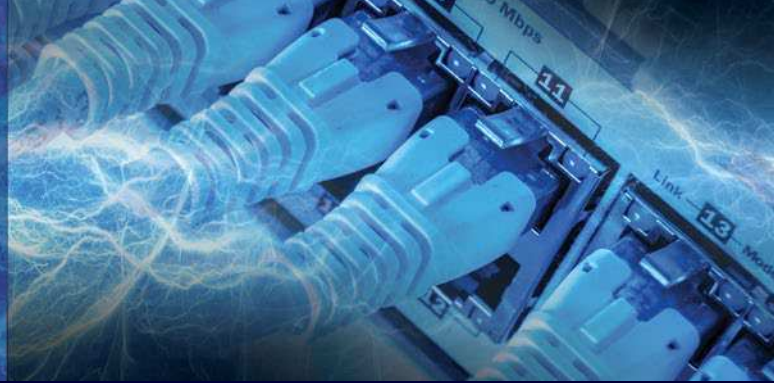
Email & Skype: info@chipsmall.com Web: www.chipsmall.com

Address: A1208, Overseas Decoration Building, #122 Zhenhua RD., Futian, Shenzhen, China

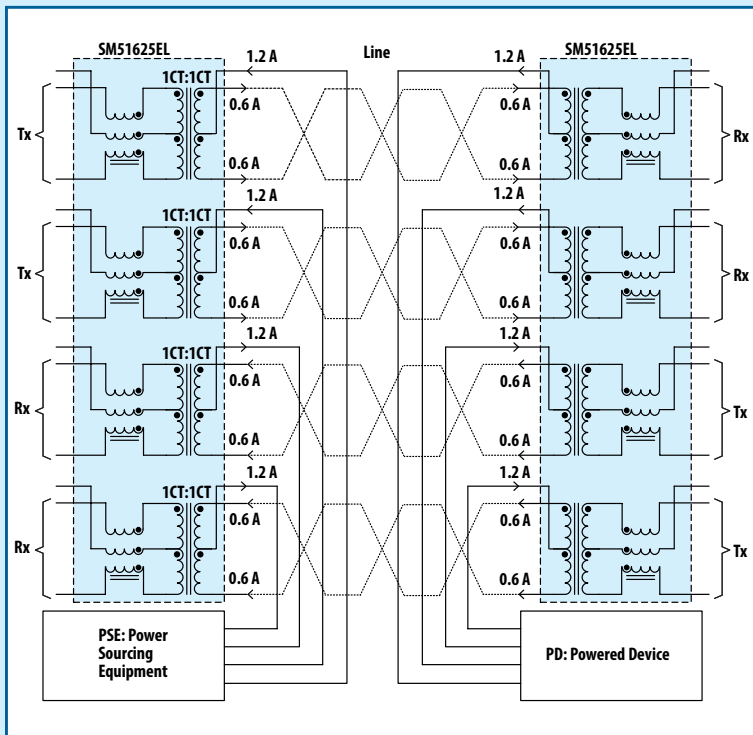


BOURNS® TEL-NOTES

Power over Ethernet (PoE) Solutions



EXPOSED POWER OVER ETHERNET (PoE) Circuit Conditioning



*The Bourns® model SM51625EL transformer is built to meet IEEE 802.3 specification, by fitting in the specified limits defined in the Clause 40.8.3 for Medium Dependent Interface (MDI) of the IEEE 802.3-2012, thus helps ensure an application's compliance to IEEE 802.3-2012.

The schematic shown here illustrates the conditioning of the application and does not constitute the complete circuit design. Customers should verify actual device performance in their specific applications.

Product



SM51625EL

Design Kit



TEL-NOTEKIT-2

Objective

Introduction of a high current PoE transformer, enabling higher power applications for outdoor PoE applications

Solution

High current transformer:

- SM51625EL

Compliance*

IEEE802.3

Features & Benefits

This solution enables high power delivery over Ethernet cables without impacting signal integrity

BOURNS®

For more information, go to:

www.bourns.com

or email: protection@bourns.com

Americas: Tel +1-951 781-5500

Fax +1-951 781-5700

EMEA: Tel +36 88 520 390

Fax +36 88 520 211

Asia-Pacific: Tel +886-2 256 241 17

Fax +886-2 256 241 16

COPYRIGHT© 2016 • BOURNS, INC. • 01/16 • PSG • e/IC1546

*Bourns® is a registered trademarks of Bourns, Inc. in the U.S. and other countries.