



Chipsmall Limited consists of a professional team with an average of over 10 year of expertise in the distribution of electronic components. Based in Hongkong, we have already established firm and mutual-benefit business relationships with customers from,Europe,America and south Asia,supplying obsolete and hard-to-find components to meet their specific needs.

With the principle of “Quality Parts,Customers Priority,Honest Operation,and Considerate Service”,our business mainly focus on the distribution of electronic components. Line cards we deal with include Microchip,ALPS,ROHM,Xilinx,Pulse,ON,Everlight and Freescale. Main products comprise IC,Modules,Potentiometer,IC Socket,Relay,Connector.Our parts cover such applications as commercial,industrial, and automotives areas.

We are looking forward to setting up business relationship with you and hope to provide you with the best service and solution. Let us make a better world for our industry!



Contact us

Tel: +86-755-8981 8866 Fax: +86-755-8427 6832

Email & Skype: info@chipsmall.com Web: www.chipsmall.com

Address: A1208, Overseas Decoration Building, #122 Zhenhua RD., Futian, Shenzhen, China





USB to TTL Converter (CP210)

SKU:TEL0010



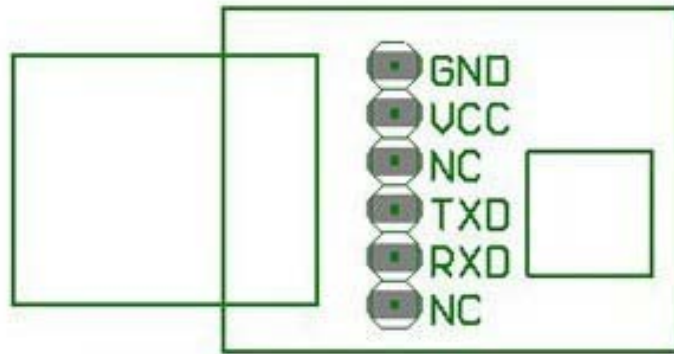
INTRODUCTION

This USB to TTL converter combine the USB-232-1 (USB to Single RS232 Adapter) and TTL-232-1 (Port-powered RS232/TTL converter) allows you to convert USB to TTL/CMOS compatible levels and vice versa.

It can be used to set up APC220 RF wireless module.

It can be used as STC microcontroller program downloader.

The PCB color may vary and not the same as shown in the picture.



SPECIFICATION

- Voltage: 5V
- Chip: Silicon Laboratories CP210x

SHIPPING LIST

- USB to TTL Converter (CP210) x1