



Chipsmall Limited consists of a professional team with an average of over 10 year of expertise in the distribution of electronic components. Based in Hongkong, we have already established firm and mutual-benefit business relationships with customers from,Europe,America and south Asia,supplying obsolete and hard-to-find components to meet their specific needs.

With the principle of “Quality Parts,Customers Priority,Honest Operation,and Considerate Service”,our business mainly focus on the distribution of electronic components. Line cards we deal with include Microchip,ALPS,ROHM,Xilinx,Pulse,ON,Everlight and Freescale. Main products comprise IC,Modules,Potentiometer,IC Socket,Relay,Connector.Our parts cover such applications as commercial,industrial, and automotives areas.

We are looking forward to setting up business relationship with you and hope to provide you with the best service and solution. Let us make a better world for our industry!



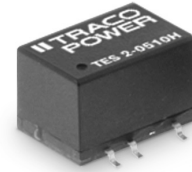
Contact us

Tel: +86-755-8981 8866 Fax: +86-755-8427 6832

Email & Skype: info@chipsmall.com Web: www.chipsmall.com

Address: A1208, Overseas Decoration Building, #122 Zhenhua RD., Futian, Shenzhen, China





- Small SMD package with standard footprint
- I/O isolation voltage 1500 VDC
- Single and dual output models
- Input voltage 5, 12 and 24 VDC
- High efficiency up to 80%
- Operating Temperature range -40 to +85°C
- High accuracy of pin co-planarity
- Qualified for leadfree reflow solder process according IPC/JEDEC J-STD-020D
- Available in tape and reel package
- 3-year product warranty

With their small footprint these 2 Watt DC/DC converters are an ideal and economical solution for many applications where an isolated voltage is required. Typical applications are ground loop elimination, noise reduction, voltage isolation in digital interfaces and voltage conversion in distributed power systems. With a new package design these converters are qualified for the higher temperatures requested by lead-free reflow solder processes. For automated SMD production lines the devices can be supplied in standard tape and reel package.

Models				
Order code	Input voltage	Output voltage	Output current max.	Efficiency typ.
TES 2-0510H	5 VDC ±10% (5 VDC nominal)	3.3 VDC	500 mA	70 %
TES 2-0511H		5.0 VDC	400 mA	73 %
TES 2-0512H		12 VDC	165 mA	77 %
TES 2-0521H		±5 VDC	±200 mA	74 %
TES 2-0522H		±12 VDC	±83 mA	76 %
TES 2-0523H		±15 VDC	±66 mA	76 %
TES 2-1210H	12 VDC ±10% (12 VDC nominal)	3.3 VDC	500 mA	72 %
TES 2-1211H		5.0 VDC	400 mA	75 %
TES 2-1212H		12 VDC	165 mA	79 %
TES 2-1222H		±12 VDC	±83 mA	80 %
TES 2-1223H		±15 VDC	±66 mA	80 %
TES 2-2410H	24 VDC ±10% (24 VDC nominal)	3.3 VDC	500 mA	72 %
TES 2-2411H		5.0 VDC	400 mA	75 %
TES 2-2412H		12 VDC	165 mA	79 %
TES 2-2422H		±12 VDC	±83 mA	79 %
TES 2-2423H		±15 VDC	±66 mA	79 %

Input Specifications

Input current no load / full load	5 Vin; 3.3 VDC model: 5 Vin; other models: 12 Vin; 3.3 VDC model: 12 Vin; other models: 24 Vin; 3.3 VDC model: 24 Vin; other models:	60 mA / 470 mA typ. 60 mA / 540 mA typ. 30 mA / 190 mA typ. 30 mA / 210 mA typ. 15 mA / 95 mA typ. 15 mA / 110 mA typ.
Surge voltage (1 sec. max.)	5 Vin models: 12 Vin models: 24 Vin models:	9 V max. 18 V max. 30 V max.
Under voltage shut down	12 Vin models: 24 Vin models: 48 Vin models:	8 VDC typ. 16 VDC typ. 34 VDC typ.
Reverse voltage protection		0.3 A max.
Input filter		internal capacitor

Output Specifications

Voltage set accuracy		see graphs below
Voltage balance (dual output models, balanced load)		1 % max.
Regulation	– Input variation – Load variation 0 – 100 %	1.2 % / 1 % change Vin see graphs below
Minimum load		not required
Ripple and noise (20 MHz Bandwidth)		120 mVp-p max.
Temperature coefficient		±0.02 %/K typ.
Short circuit protection		limited 0.5s max.
Capacitive load	3.3 & 5.0 VDC models: 12 & ±5 VDC models: ±12 & ±15 VDC models:	47 µF max. 10 µF max. 4.7 µF max.

General Specifications

Temperature ranges	– Operating (convection cooling 20LFM, 0,1m/s) – Case temperature – Storage temperature	–40°C to +85°C +95°C max. –40°C to +125°C
Derating (convection cooling)		4 %/K above 75°C
Humidity (non condensing)		95 % rel H max.
Reliability, calculated MTBF (MIL-HDBK-217F at +25°C, ground benign)		>2'000'000 h
Isolation voltage (60 sec.)		1'500 VDC
Isolation capacitance (100 kHz, 1V)		60 pF typ.
Isolation resistance (500 VDC)		>10 Gohm
Switching frequency		50 to 120 kHz typ. (depend on load)

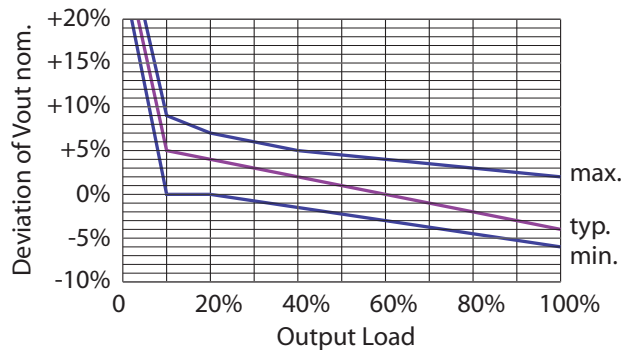
Physical Specifications

Casing material		plastic (UL94V-0 rated)
Weight	single output models: dual output models:	1.5 g (0.05 oz) 2.2 g (0.08 oz)
Lead-free reflow solder process		as per J-STD-020BD.1 (www.jedec.org)
Moisture sensivity level (MSL)		level 2 as per J-STD-033B.1 (to find at: www.jedec.org - free registration required)
Washing process		not recommended. Product non-hermetical
Environmental compliance	– Reach – RoHS	www.tracopower.com/products/reach-declaration.pdf RoHS directive 2011/65/EU

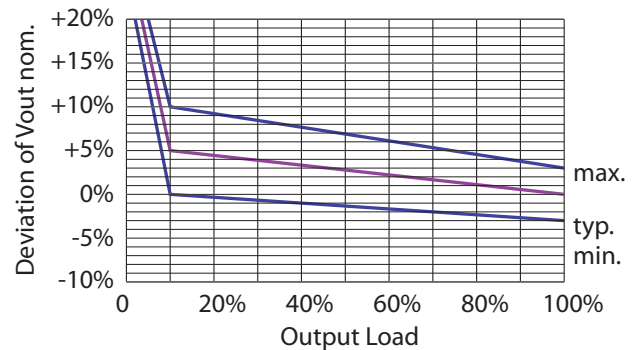
All specifications valid at nominal input voltage, full load and +25°C after warm-up time unless otherwise stated.

Output voltage variation dependent on load (at nominal input voltage)

3.3 & 5.0 VDC models:



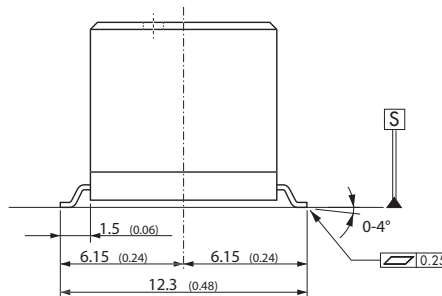
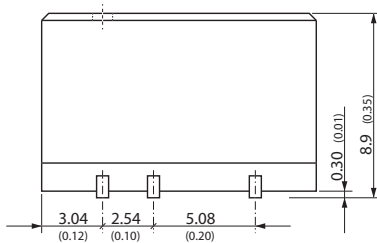
other models:



Supporting documents: www.tracopower.com/overview/tes2h

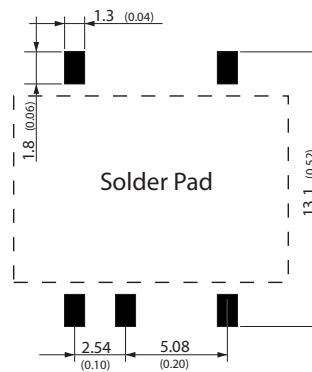
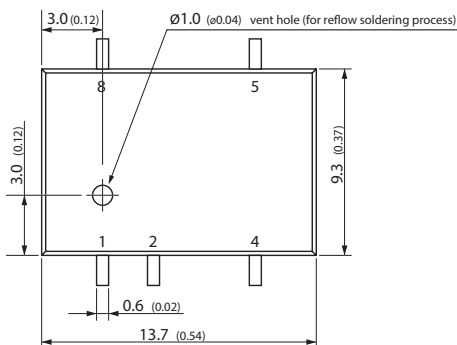
Outline Dimensions

Single Output Models



Pin-Out	
Pin	Single
1	-Vin (GND)
2	+Vin (Vcc)
4	-Vout
5	+Vout
8	No con.

No con. = Pin to be isolated from circuit

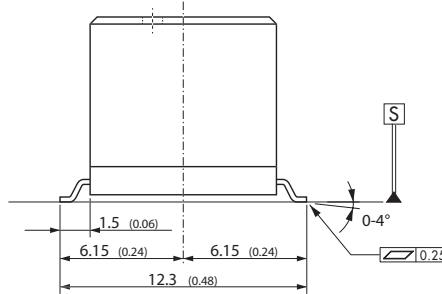
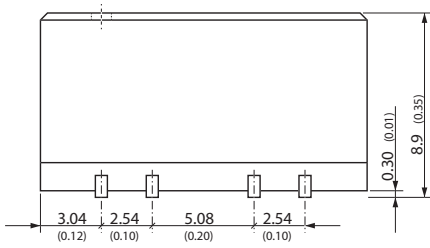


Dimensions in [mm], () = Inch
Pin pitch tolerance: ± 0.13 (0.005)
Other tolerances: ± 0.25 (0.001)

All specifications valid at nominal input voltage, full load and +25°C after warm-up time unless otherwise stated.

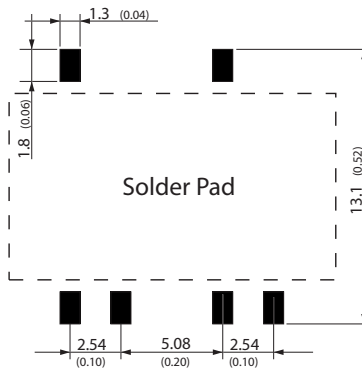
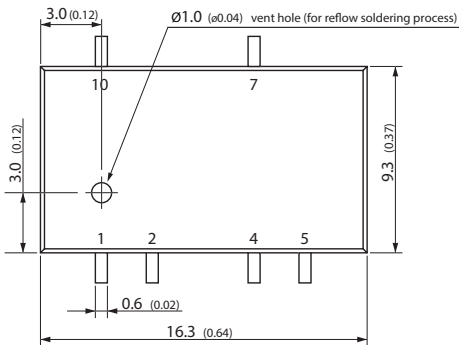
Outline Dimensions

Dual Output Models



Pin-Out	
Pin	Dual
1	-Vin (GND)
2	+Vin (Vcc)
4	Common
5	-Vout
7	+Vout
10	No con.

No con. = Pin to be isolated from circuit



Dimensions in [mm], () = Inch
 Pin pitch tolerance: ± 0.13 (0.005)
 Other tolerances: ± 0.25 (0.001)