



Chipsmall Limited consists of a professional team with an average of over 10 year of expertise in the distribution of electronic components. Based in Hongkong, we have already established firm and mutual-benefit business relationships with customers from,Europe,America and south Asia,supplying obsolete and hard-to-find components to meet their specific needs.

With the principle of “Quality Parts,Customers Priority,Honest Operation,and Considerate Service”,our business mainly focus on the distribution of electronic components. Line cards we deal with include Microchip,ALPS,ROHM,Xilinx,Pulse,ON,Everlight and Freescale. Main products comprise IC,Modules,Potentiometer,IC Socket,Relay,Connector.Our parts cover such applications as commercial,industrial, and automotives areas.

We are looking forward to setting up business relationship with you and hope to provide you with the best service and solution. Let us make a better world for our industry!



## Contact us

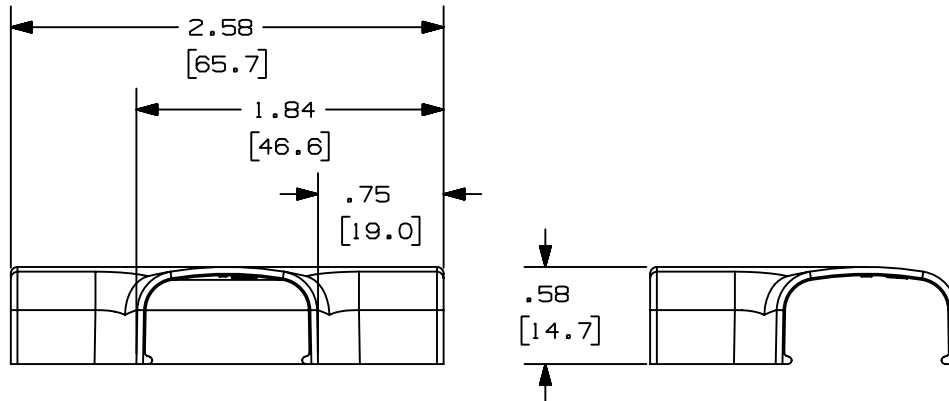
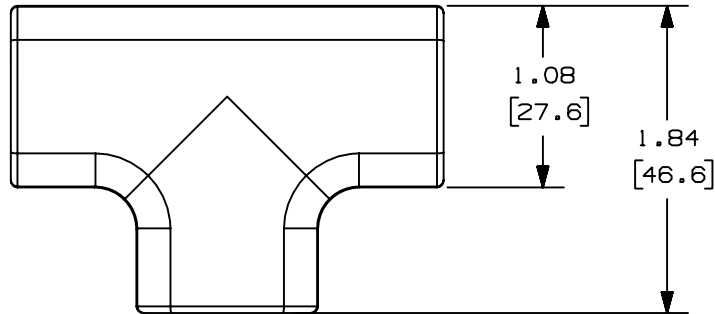
Tel: +86-755-8981 8866 Fax: +86-755-8427 6832

Email & Skype: info@chipsmall.com Web: www.chipsmall.com

Address: A1208, Overseas Decoration Building, #122 Zhenhua RD., Futian, Shenzhen, China



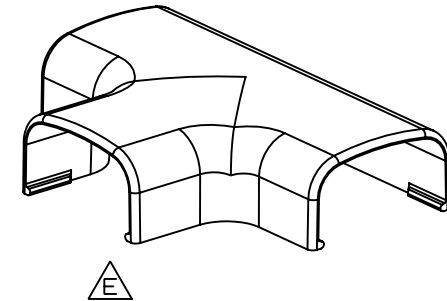
THIS COPY IS PROVIDED ON A RESTRICTED BASIS AND IS NOT TO BE USED IN ANY WAY DETRIMENTAL TO THE INTERESTS OF PANDUIT CORP.



$\triangle B$	PANDUIT P/N	WEIGHT
$\triangle C$	TF5	1.29 LB/100 PCS. (584g/100 PCS.)

$\triangle D$  NOTES:

1. SEE CURRENT CATALOG FOR ADDITIONAL PART NUMBER SUFFIXES TO INDICATE COLOR AND OR PACKAGE QUANTITY.
2. DIMENSIONS IN PARENTHESIS ARE IN METRIC.



CAD FILENAME/LAYERS		D34474BE_DC_TF5_01.prt	
PANDUIT		CORP. TINLEY PARK, ILLINOIS	
TEE FITTING		(TF5)	
CUSTOMER DRAWING		UNLESS OTHERWISE SPECIFIED, DIMENSIONAL TOLERANCES ARE: (.X) ± (.XXX) ± (.XX) ± .03 (.8) ANGLES ±	
UNLESS OTHERWISE SPECIFIED, ALL DIMENSIONS ARE GIVEN IN INCHES, THIRD ANGLE PROJECTION.		SCALE FULL	
DRAWN BY	RS	MAT'L:	ABS $\triangle F$
DATE	8-8-84		
CHK'D	HP		
DRAWING NO.	SS-19158	DWG	A
SIZE			

REV	DATE	BY	CHK	DESCRIPTION	ECN	R	CUST	SUP
6	7-8-02	JHN	RMHI	F. REVISED MATERIAL IN DRAWING TITLE BLOCK.	19158	RGRC	RGRC	
5	8-28-00	MSO	HIW	E. REVISED AND REDRAWN ON CAD.	19158	HIW	HIW	
4	10-3-91	DW	CF	D. REVISED NOTE AND REMOVED COLOR FROM DRAWING.	19158		CF	
3	2-28-91	DW	CF	C. REVISED COLORS: OMIT BG, LI, LG. ADDED INT. WHITE AND INT. GRAY.	19158		WJB	
2	12-2-87	LDB	WJB	B. ADDED PART NUMBERS TF5E1 AND TF5LI.	19158		WJB	
1	10-1-84	CEW	HP	A. POLYSTYRENE WAS ABS.	19158		AJC	
R	8-14-84	RS	HP	DRAWING RELEASED	19158			