



Chipsmall Limited consists of a professional team with an average of over 10 year of expertise in the distribution of electronic components. Based in Hongkong, we have already established firm and mutual-benefit business relationships with customers from,Europe,America and south Asia,supplying obsolete and hard-to-find components to meet their specific needs.

With the principle of “Quality Parts,Customers Priority,Honest Operation,and Considerate Service”,our business mainly focus on the distribution of electronic components. Line cards we deal with include Microchip,ALPS,ROHM,Xilinx,Pulse,ON,Everlight and Freescale. Main products comprise IC,Modules,Potentiometer,IC Socket,Relay,Connector.Our parts cover such applications as commercial,industrial, and automotives areas.

We are looking forward to setting up business relationship with you and hope to provide you with the best service and solution. Let us make a better world for our industry!



Contact us

Tel: +86-755-8981 8866 Fax: +86-755-8427 6832

Email & Skype: info@chipsmall.com Web: www.chipsmall.com

Address: A1208, Overseas Decoration Building, #122 Zhenhua RD., Futian, Shenzhen, China



DO NOT SCALE FROM THIS PRINT

NOTES:

1. REPRESENTS A CRITICAL DIMENSION.
2. MINIMUM CONTACT RETENTION: 12 OZS.
3. MINIMUM LOCKING CLIP RETENTION: 8 OZS.
4. MAXIMUM HEIGHT VARIATION BETWEEN ANY TWO PINS: .005[0.13].
5. MAXIMUM TERMINAL BURR: .003[0.08].
6. COPLANARITY: .004[0.10] = POS 02 THRU 26
.006[0.15] = POS 27 THRU 50.
7. MEASURED FROM BEND.
8. MEASURE FROM TIPS OF PIN.
9. SIDES OF PLASTIC BODIES ON ALL LEAD STYLES EXCEPT THE -01 & -02 WILL BE SOLID AND WITHOUT SIDE SLOTS.
10. THIS FEATURE ONLY PRESENT ON -01 & -02 LEAD STYLES.
11. DUE TO THE HIGH AMOUNT OF INSERTION FORCE NEEDED, THE -LC OPTION IS NOT COMPATIBLE WITH AUTO PLACEMENT. SAMTEC RECOMMENDS MANUAL PLACEMENT FOR ALL ASSEMBLIES WITH THE -LC OPTION.
12. NOTE DELETED.

TFC-1XX-XX-XX-D-XX

No OF POSITIONS

- LEAD STYLE -01, -02: -02 THRU -50 (ALL POSITIONS AVAILABLE)
- LEAD STYLES -11, -12: (-05 THRU -50 MULTIPLES OF 5) POSITIONS -12, -16, -17 ALSO AVAILABLE
- LEAD STYLES -21, -22: (-05 THRU -50 MULTIPLES OF 5) POSITIONS -12 & -13 ALSO AVAILABLE
- LEAD STYLES -31, -32: (-05 THRU -50 MULTIPLES OF 5) -12 POSITION ALSO AVAILABLE

LEAD STYLE

- | | |
|-----------------|------------------------|
| THROUGH HOLE | SURFACE MOUNT |
| -01 (SEE FIG 1) | -02 (SEE FIG 2, SHT 2) |
| -11 (SEE FIG 1) | -12 (SEE FIG 2, SHT 2) |
| -21 (SEE FIG 1) | -22 (SEE FIG 2, SHT 2) |
| -31 (SEE FIG 1) | -32 (SEE FIG 2, SHT 2) |

(SEE TABLE 1, SHT 3)

PLATING SPECIFICATION

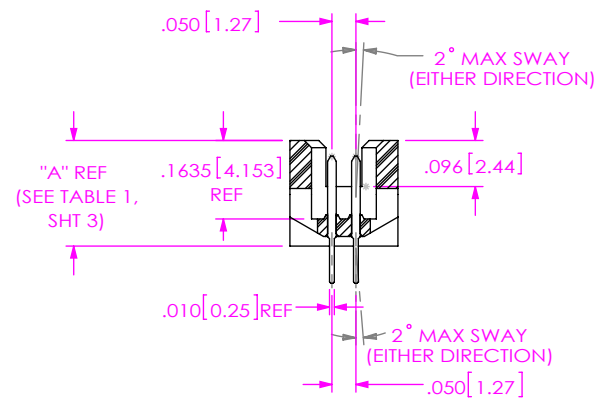
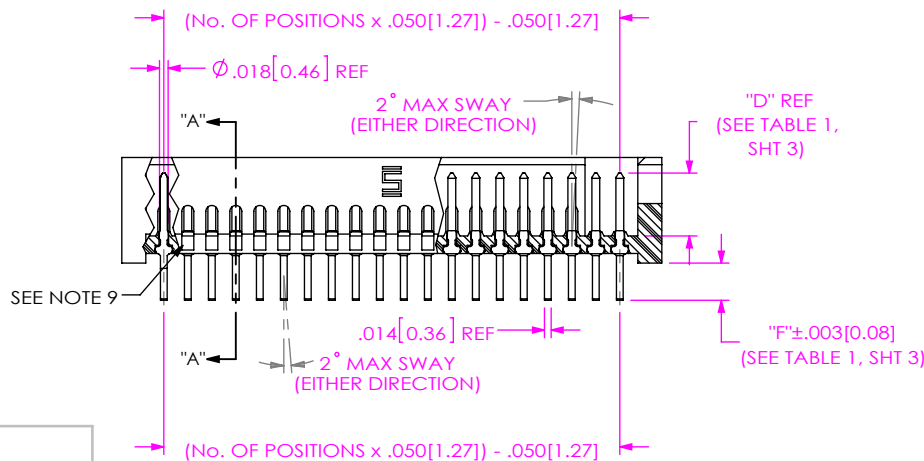
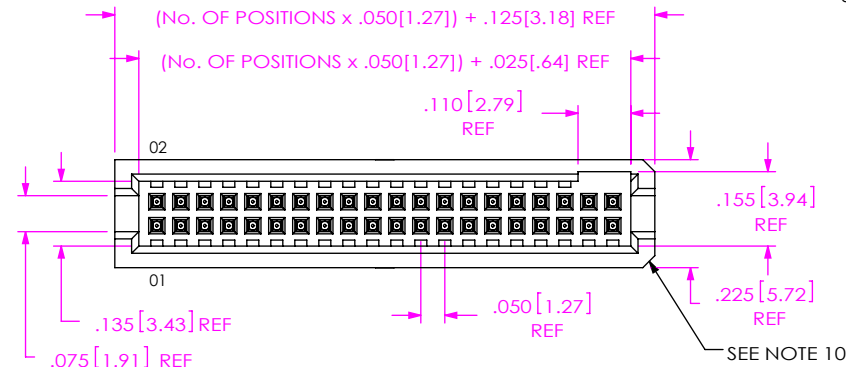
- F: 3µ" FLASH GOLD ON CONTACT AREA, MATTE TIN TAIL
- L: 15µ" SELECTIVE GOLD ON CONTACT AREA, MATTE TIN TAIL
- LM: 15µ" SELECTIVE GOLD ON CONTACT AREA, MATTE TIN TAIL
- FM: 3µ" FLASH GOLD ON CONTACT AREA, MATTE TIN TAIL

OPTION

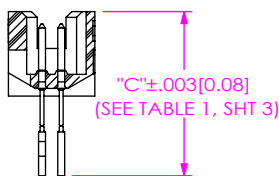
- A: ALIGNMENT PIN (USE TFM-XX-D-XX-A, SEE TABLE 1, SHT 3) (SEE FIG 5, SHT 3) (NOT AVAILABLE WITH -RA)
- LC: LOCKING CLIP (USE LC-05-TM) (NOT AVAILABLE WITH -RA) (SEE FIG 6, SHT 3, NOTE 3 & 11)
- P: PICK AND PLACE PAD (USE PPP-04) (AVAILABLE IN ALL POSITIONS -05 THRU -50) (NOT AVAILABLE WITH -RA) (SEE FIG 7, SHT 3)
- RA: RIGHT ANGLE (AVAILABLE ONLY IN LEAD STYLE: -01) (SEE FIG 8, SHT 2)
- TR: TAPE AND REEL (SEE FIG 4, SHT 4) (FOR -X2 ONLY) (NOT AVAILABLE WITH -RA)
- K: POLYIMIDE FILM (SEE FIG 3, SHT 2) (ALL LEAD STYLES EXCEPT -21 AVAILABLE) (NOT AVAILABLE FOR -RA) (USE K-DOT-.217-.313-.005)

BODY SPECIFICATION

- D: DOUBLE ROW



SECTION "A"-"A"



IN-PROCESS

FIG 1 THROUGH HOLE -01, -11, -21, -31

UNLESS OTHERWISE SPECIFIED, DIMENSIONS ARE IN INCHES.
TOLERANCES ARE:
DECIMALS ANGLES
.XX: ±.01 [.3] 2°
.XXX: ±.005 [.13]
.XXXX: ±.0020 [.051]

PROPRIETARY NOTE
THIS DOCUMENT CONTAINS CONFIDENTIAL AND PROPRIETARY INFORMATION AND ALL DESIGN, MANUFACTURING, REPRODUCTION, USE, PATENT RIGHTS AND SALES RIGHTS ARE EXPRESSLY RESERVED BY SAMTEC, INC. THIS DOCUMENT SHALL NOT BE DISCLOSED, IN WHOLE OR PART, TO ANY UNAUTHORIZED PERSON OR ENTITY NOR REPRODUCED, TRANSFERRED OR INCORPORATED IN ANY OTHER PROJECT IN ANY MANNER WITHOUT THE EXPRESS WRITTEN CONSENT OF SAMTEC, INC.



520 PARK EAST BLVD, NEW ALBANY, IN 47150
PHONE: 812-944-6733 FAX: 812-948-5047
e-Mail info@SAMTEC.com code 55322

MATERIAL: DO NOT SCALE DRAWING SHEET SCALE: 2.5:1

INSULATOR:
LCP, UL 94-V0
COLOR: BLACK

TERMINAL: PHOSPHOR BRONZE
F:\DWG\MISC\MKTG\TFC-1XX-XX-XX-D-XX-MKT.SLDRW

DESCRIPTION: .050 X .050 TERMINAL STRIP

DWG. NO. TFC-1XX-XX-XX-D-XX

BY: BRATCHER 05/25/2001 SHEET 1 OF 4

REVISION AK

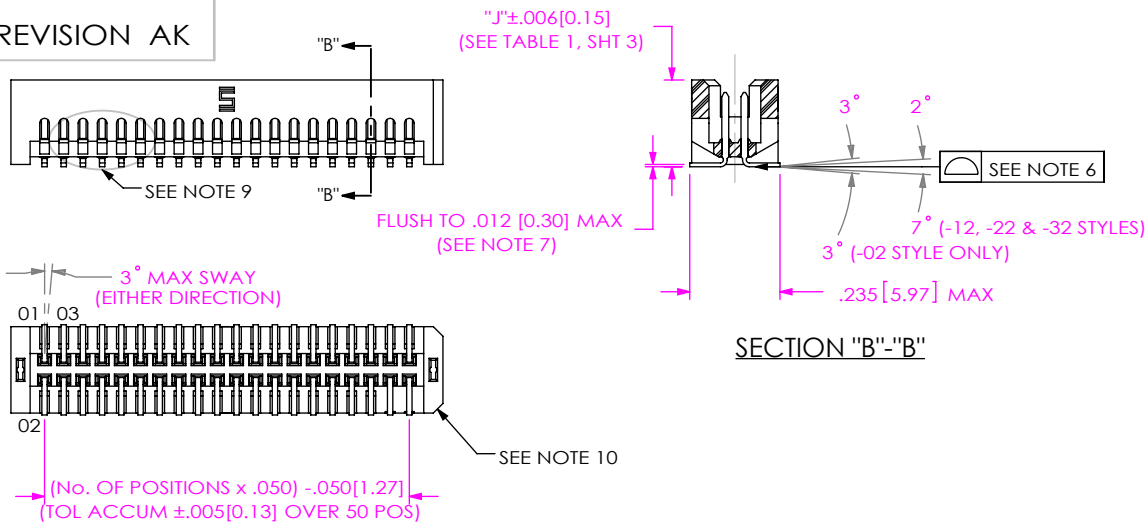


FIG 2
SURFACE MOUNT
-02, -12, -22, -32
DIFFERENT AS SHOWN, OTHERWISE SAME AS FIG 1

NOTE: "R" = OVERALL LENGTH (REF)
"S" = {("R" - .216 [5.49] / 2) ±.020 [.51]}

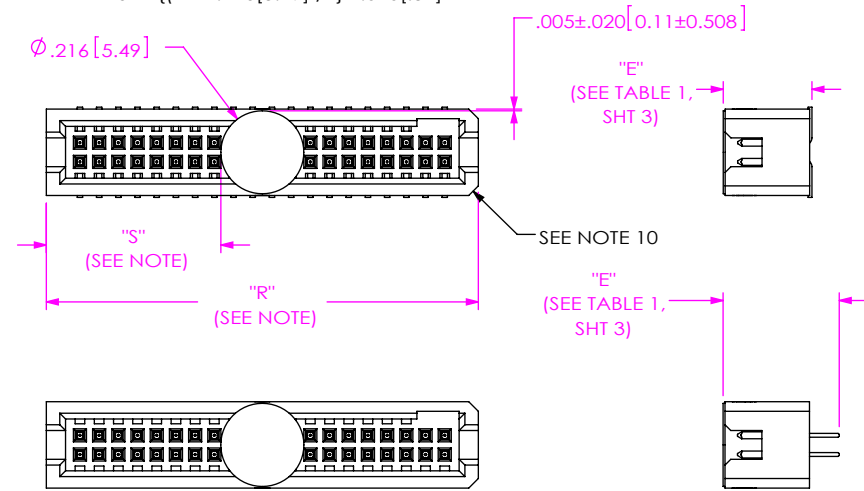


FIG 3
-K: POLYIMIDE FILM PAD

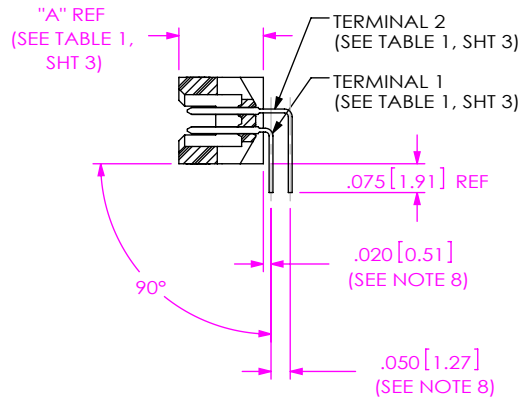
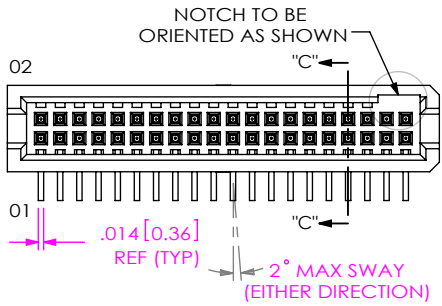
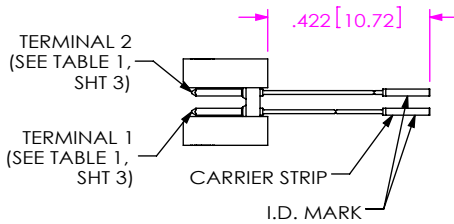
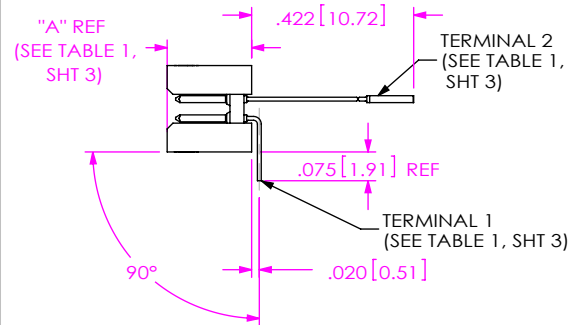


FIG 8
-RA OPTION
DIFFERENT AS SHOWN, OTHERWISE SAME AS FIG 1

SECTION "C"-"C"



IN-PROCESS 1
(ORIENT I.D. MARK AS SHOWN)
(FOR -RA OPTION ONLY)



IN-PROCESS 2

F:\DWG\MISC\MKTG\TFC-1XX-XX-XX-D-XX-MKT.SLDDRW

PROPRIETARY NOTE

THIS DOCUMENT CONTAINS CONFIDENTIAL AND PROPRIETARY INFORMATION AND ALL DESIGN, MANUFACTURING, REPRODUCTION, USE, PATENT RIGHTS AND SALES RIGHTS ARE EXPRESSLY RESERVED BY SAMTEC, INC. THIS DOCUMENT SHALL NOT BE DISCLOSED, IN WHOLE OR PART, TO ANY UNAUTHORIZED PERSON OR ENTITY NOR REPRODUCED, TRANSFERRED OR INCORPORATED IN ANY OTHER PROJECT IN ANY MANNER WITHOUT THE EXPRESS WRITTEN CONSENT OF SAMTEC, INC.

DO NOT SCALE DRAWING

SHEET SCALE: 2:1

samtec

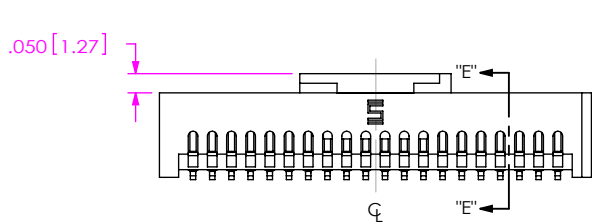
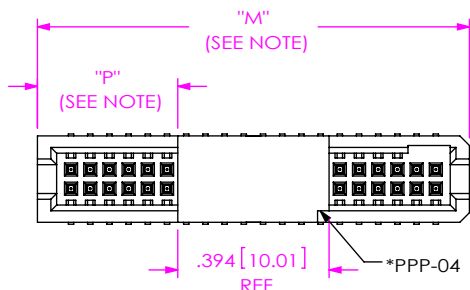
520 PARK EAST BLVD, NEW ALBANY, IN 47150
PHONE: 812-944-6733 FAX: 812-948-5047
e-Mail: info@SAMTEC.com code 55322

DESCRIPTION:
.050 X .050 TERMINAL STRIP

DWG. NO.
TFC-1XX-XX-XX-D-XX

BY: BRATCHER 05/25/2001 SHEET 2 OF 4

TABLE 1									
LEAD STYLE	BODY	"A"	TERMINAL 1	TERMINAL 2	"C"	"D"	"E"	"F"	"J"
-01	TFM-XX-D-01-XX	.2200 [5.588]	T-1R16-01-XX-2	N/A	.428 [10.87]	.131 [3.33]	.303 [7.70]	.078 [1.98]	N/A
-11	TFM-XX-D-02-XX	.2900 [7.366]	T-1R20-03-XX	N/A	.645 [16.38]	.139 [3.53]	.375 [9.53]	.080 [2.03]	N/A
-21	TFM-XX-D-03-XX	.3600 [9.144]	T-1R20-04-XX	N/A	.645 [16.38]	.139 [3.53]	N/A	.080 [2.03]	N/A
-31	TFM-XX-D-04-XX	.4350 [11.049]	T-1R20-02-XX	N/A	.645 [16.38]	.139 [3.53]	.520 [13.21]	.080 [2.03]	N/A
-02	TFM-XX-D-01-XX	.2200 [5.588]	T-1R16-01-XX-2	N/A	.428 [10.87]	.131 [3.33]	.231 [5.87]	N/A	.226 [5.74]
-12	TFM-XX-D-02-XX	.2900 [7.366]	T-1R20-03-XX	N/A	.645 [16.38]	.139 [3.53]	.301 [7.65]	N/A	.296 [7.52]
-22	TFM-XX-D-03-XX	.3600 [9.144]	T-1R20-04-XX	N/A	.645 [16.38]	.139 [3.53]	.371 [9.42]	N/A	.366 [9.30]
-32	TFM-XX-D-04-XX	.4350 [11.049]	T-1R20-02-XX	N/A	.645 [16.38]	.139 [3.53]	.446 [11.33]	N/A	.441 [11.20]
-01-RA	TFM-XX-D-01-XX	.2200 [5.588]	T-1R16-02-XX	T-1R16-03-XX	N/A	.142 [3.61]	N/A	N/A	N/A



NOTE: "M" = (No. OF POS X .050 [1.27]) + .125 [3.18] (REF)
 "P" = {"M" - .394 [10.01]} / 2 ± .020 [0.51]

* NOTCH ON PAD TO BE ON SAME END AS THE NOTCH IN THE TFM BODY

FIG 7
 -P OPTION
 DIFFERENT AS SHOWN, OTHERWISE SAME AS FIG 1
 (PAD TO BE POSITIONED ON CL AS SHOWN)

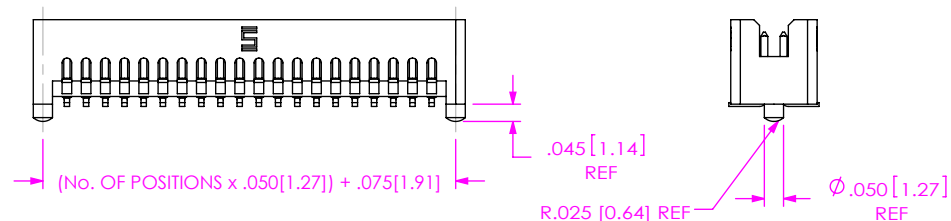
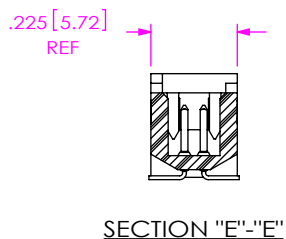


FIG 5
 -A OPTION
 DIFFERENT AS SHOWN, OTHERWISE SAME AS FIG 1

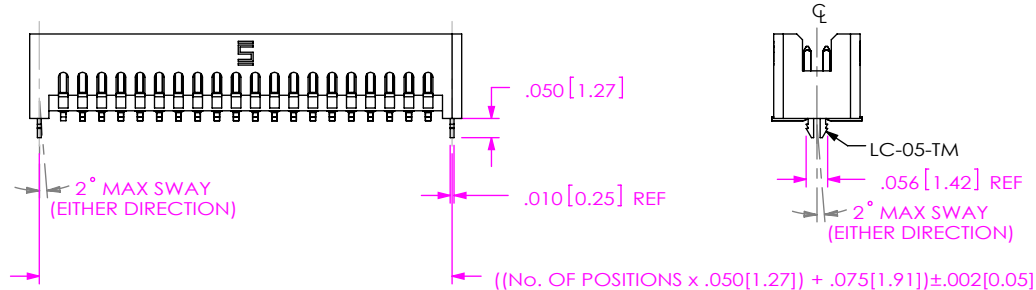


FIG 6
 -LC OPTION
 DIFFERENT AS SHOWN, OTHERWISE SAME AS FIG 1
 (NOT AVAILBLE ON -RA)

F:\DWG\MISC\MKTG\TFC-1XX-XX-XX-D-XX-MKT.SLDDRW

PROPRIETARY NOTE
 THIS DOCUMENT CONTAINS CONFIDENTIAL AND PROPRIETARY INFORMATION AND ALL DESIGN, MANUFACTURING, REPRODUCTION, USE, PATENT RIGHTS AND SALES RIGHTS ARE EXPRESSLY RESERVED BY SAMTEC, INC. THIS DOCUMENT SHALL NOT BE DISCLOSED, IN WHOLE OR PART, TO ANY UNAUTHORIZED PERSON OR ENTITY NOR REPRODUCED, TRANSFERRED OR INCORPORATED IN ANY OTHER PROJECT IN ANY MANNER WITHOUT THE EXPRESS WRITTEN CONSENT OF SAMTEC, INC.

DO NOT SCALE DRAWING

SHEET SCALE: 2:1

samtec

520 PARK EAST BLVD, NEW ALBANY, IN 47150
 PHONE: 812-944-6733 FAX: 812-948-5047
 e-Mail info@SAMTEC.com code 55322

DESCRIPTION:
 .050 X .050 TERMINAL STRIP

DWG. NO.
TFC-1XX-XX-XX-D-XX

BY: BRATCHER 05/25/2001 SHEET 3 OF 4

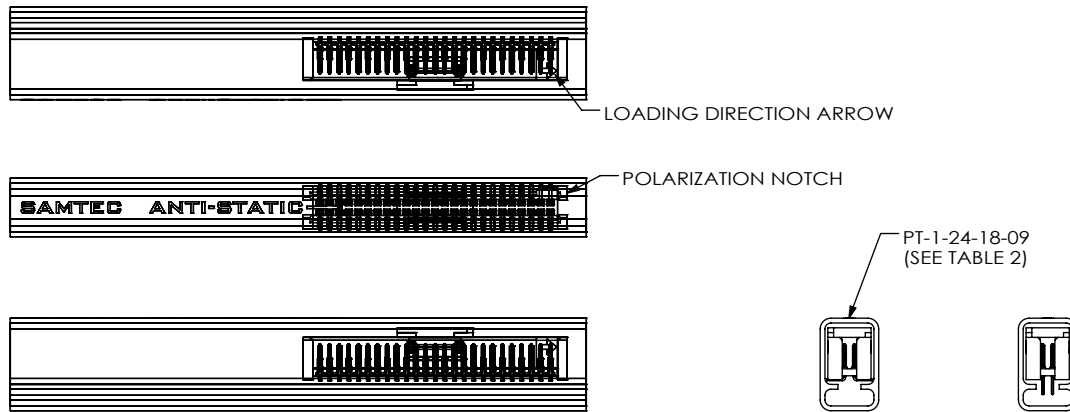


FIG 9
PT-1-24-XX-09

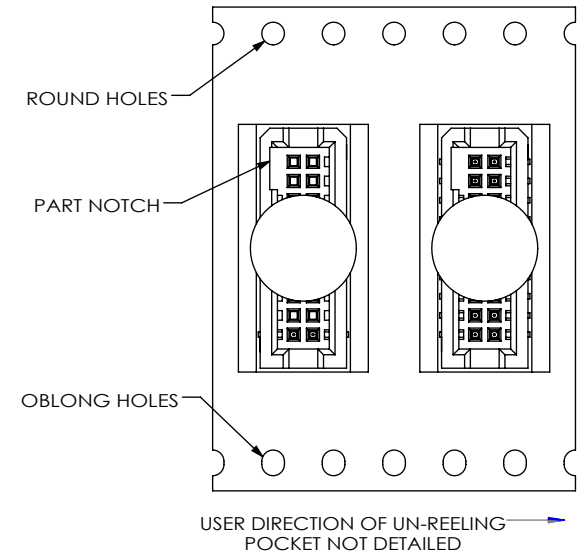


FIG 4
-TR: TAPE AND REEL

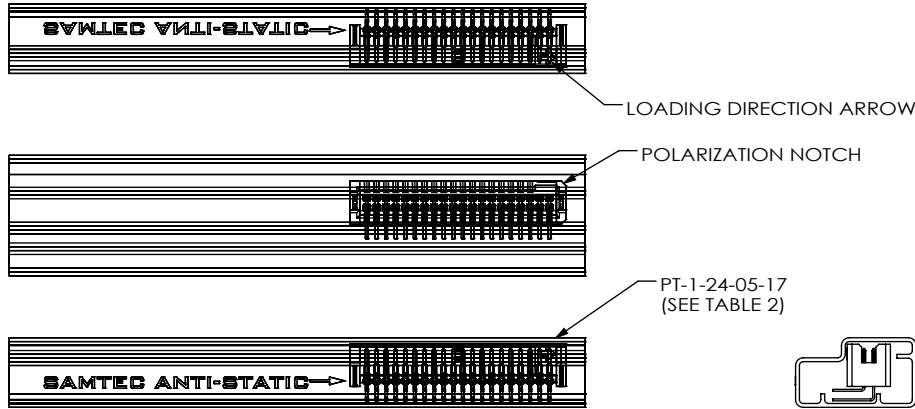


FIG 10
PT-1-24-05-17

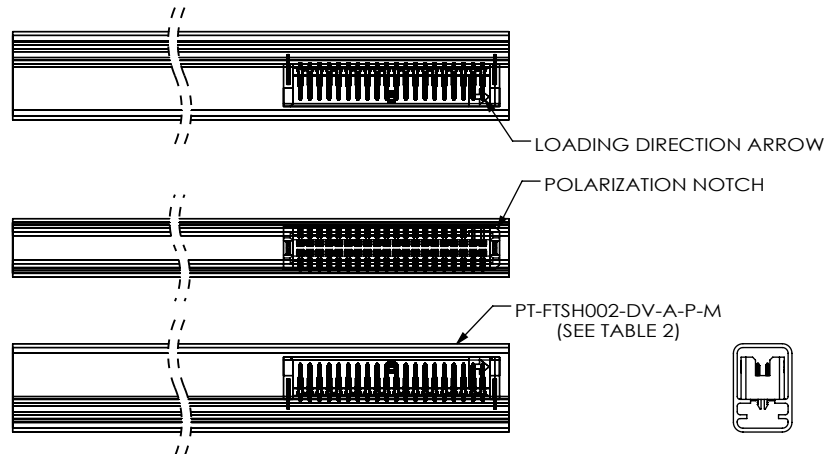


FIG 11
PT-FTSH002-DV-A-P-M

TABLE 2			
LEAD STYLE	OPTION	TUBE	PLUG
-01	-K, -LC-K, -LC-P, -A-P, -A-K, -P, -WT-P	PT-1-24-18-09	TP-09
	BLANK, -A, -LC, -WT	PT-FTSH002-DV-A-P-M	TP-03
-01-RA	ANY	PT-1-24-5-17	TP-07
-11	BLANK, -A, -A-K, -LC, -LC-K, -K	PT-1-24-18-09	TP-09
	-A-P, -LC-P, -P	PT-1-24-20-09	TP-07
-21	BLANK, -A-P, -LC-P, -P	PT-1-24-05-09	TP-07
	-A, -A-K, -LC, -LC-K, -K	PT-1-24-20-09	TP-07
-31	BLANK, -A, -LC	PT-1-24-05-09	TP-07
	-A-K, -LC-K, -K, -A-P, -LC-P, -P	PT-1-24-02-09	TP-07
-02	BLANK, -A, -A-K, -LC	PT-FTSH002-DV-A-P-M	TP-03
	-LC-K, -K, -A-P, -LC-P, -P	PT-1-24-18-09	TP-09
-12	ANY	PT-1-24-04-09	TP-07
-22	BLANK, -A, -A-K, -LC, -LC-K, -K	PT-1-24-04-09	TP-07
	-A-P, -LC-P, -P	PT-1-24-05-09	TP-07
-32	ANY	PT-1-24-02-09	TP-07

NOTE:
PARTS TO BE PACKAGED WITH THE LOADING DIRECTION ARROW POINTED IN SAME DIRECTION AS THE ARROW ON TUBE.

F:\DWG\MISC\MKTG\TFC-1XX-XX-XX-D-XX-MKT.SLDDRW

PROPRIETARY NOTE
THIS DOCUMENT CONTAINS CONFIDENTIAL AND PROPRIETARY INFORMATION AND ALL DESIGN, MANUFACTURING, REPRODUCTION, USE, PATENT RIGHTS AND SALES RIGHTS ARE EXPRESSLY RESERVED BY SAMTEC, INC. THIS DOCUMENT SHALL NOT BE DISCLOSED, IN WHOLE OR PART, TO ANY UNAUTHORIZED PERSON OR ENTITY NOR REPRODUCED, TRANSFERRED OR INCORPORATED IN ANY OTHER PROJECT IN ANY MANNER WITHOUT THE EXPRESS WRITTEN CONSENT OF SAMTEC, INC.

DO NOT SCALE DRAWING

SHEET SCALE: 2:1



520 PARK EAST BLVD. NEW ALBANY, IN 47150
PHONE: 812-944-6733 FAX: 812-948-5047
e-Mail info@SAMTEC.com code 55322

DESCRIPTION:
.050 X .050 TERMINAL STRIP

DWG. NO.
TFC-1XX-XX-XX-D-XX

BY: BRATCHER 05/25/2001 SHEET 4 OF 4