



Chipsmall Limited consists of a professional team with an average of over 10 year of expertise in the distribution of electronic components. Based in Hongkong, we have already established firm and mutual-benefit business relationships with customers from,Europe,America and south Asia,supplying obsolete and hard-to-find components to meet their specific needs.

With the principle of "Quality Parts,Customers Priority,Honest Operation,and Considerate Service",our business mainly focus on the distribution of electronic components. Line cards we deal with include Microchip,ALPS,ROHM,Xilinx,Pulse,ON,Everlight and Freescale. Main products comprise IC,Modules,Potentiometer,IC Socket,Relay,Connector.Our parts cover such applications as commercial,industrial, and automotives areas.

We are looking forward to setting up business relationship with you and hope to provide you with the best service and solution. Let us make a better world for our industry!



## Contact us

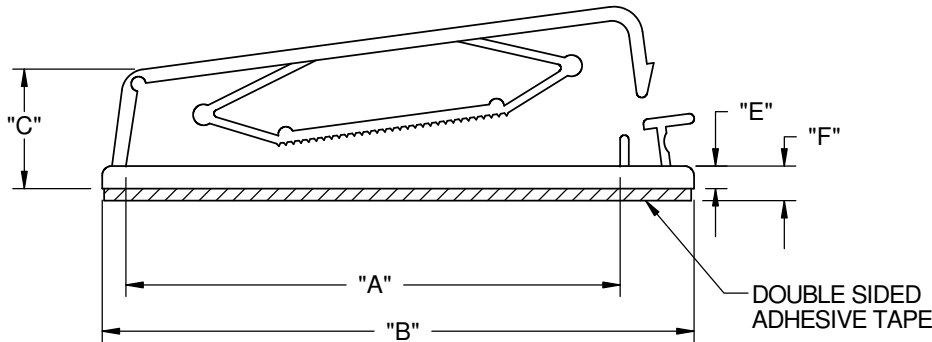
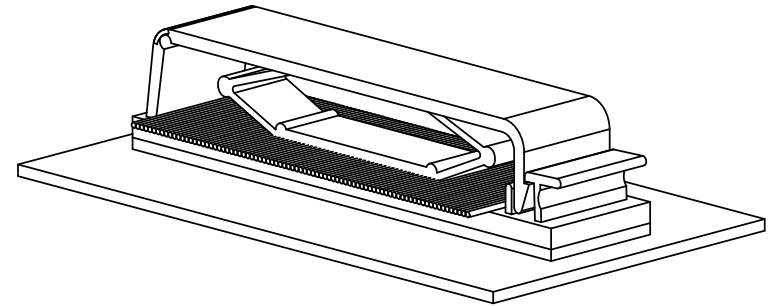
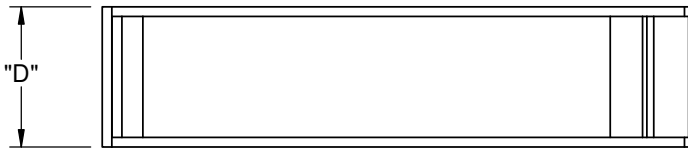
Tel: +86-755-8981 8866 Fax: +86-755-8427 6832

Email & Skype: info@chipsmall.com Web: www.chipsmall.com

Address: A1208, Overseas Decoration Building, #122 Zhenhua RD., Futian, Shenzhen, China



PART NO.	MAX. NO. OF CONDUCTORS	"A" REF	"B"	"C"	"D"	"E"	"F" REF.	MATERIAL	ADHESIVE
TFCC-30-01	30	32 [1.26]	45+1.5/-0.5 [1.77]	15.8±0.5 [.62]	18.6+1.2/-0.3 [.73]	3±0.2 [.12]	4.6 [.18]	NYLON 6/6 UL94 V-2 (RMS-74)	ARYLIC (RMS-350)
TFCC-40-01	40	54 [2.13]	67±1 [2.64]		15.8±1 [.62]	3.1±0.2 [.12]	4.7 [.19]	NYLON 6/6 UL94 V-2 (RMS-01)	ARYLIC (RMS-430)
TFCC-50-01	50	65.2 [2.57]	78.4+1.5/-0.5 [3.09]		18.8+1.2/-0.3 [.74]			NYLON 6/6 UL94 V-2 (RMS-74)	ARYLIC (RMS-350)



NOTES:  
1. PART DESIGNED IN MM, INCH CONVERSION IS FOR REFERENCE ONLY.

REV.			DESCRIPTION			ENGR. DATE			TITLE: TENSION FLAT CABLE CLAMP			DWG IN MM [IN]		FINAL	PRINT TYPE			
I	SEE CO 200715 FOR CHANGES		SK	10/03/11		CREATED USING SOLIDWORKS			FILE #:	TFCC		DWN:	SK		APP:	BR		
H	SEE CO 200082 FOR CHANGES		SK	12/06/07		GENERAL TOLERANCE ±0.25 MM UNLESS OTHERWISE STATED			SHEET:	1 OF 1		SHEET SIZE:	A		DT:	08/25/05		
G	SEE CO 200041 FOR CHANGES		SK	09/28/07		RE:			RICHCO, INC.			RICHCO, INC. ENG@RICHCO-INC.COM (773) 539-4060			PART #	SEE TABLE	PRINT TYPE	CA
F	REDRAWN, SEE ECN #1043 FOR CHANGES		SK	08/25/05														
-	SEE ENGINEERING FOR REVISIONS A-E		---	---														