



Chipsmall Limited consists of a professional team with an average of over 10 year of expertise in the distribution of electronic components. Based in Hongkong, we have already established firm and mutual-benefit business relationships with customers from,Europe,America and south Asia,supplying obsolete and hard-to-find components to meet their specific needs.

With the principle of “Quality Parts,Customers Priority,Honest Operation,and Considerate Service”,our business mainly focus on the distribution of electronic components. Line cards we deal with include Microchip,ALPS,ROHM,Xilinx,Pulse,ON,Everlight and Freescale. Main products comprise IC,Modules,Potentiometer,IC Socket,Relay,Connector.Our parts cover such applications as commercial,industrial, and automotives areas.

We are looking forward to setting up business relationship with you and hope to provide you with the best service and solution. Let us make a better world for our industry!



Contact us

Tel: +86-755-8981 8866 Fax: +86-755-8427 6832

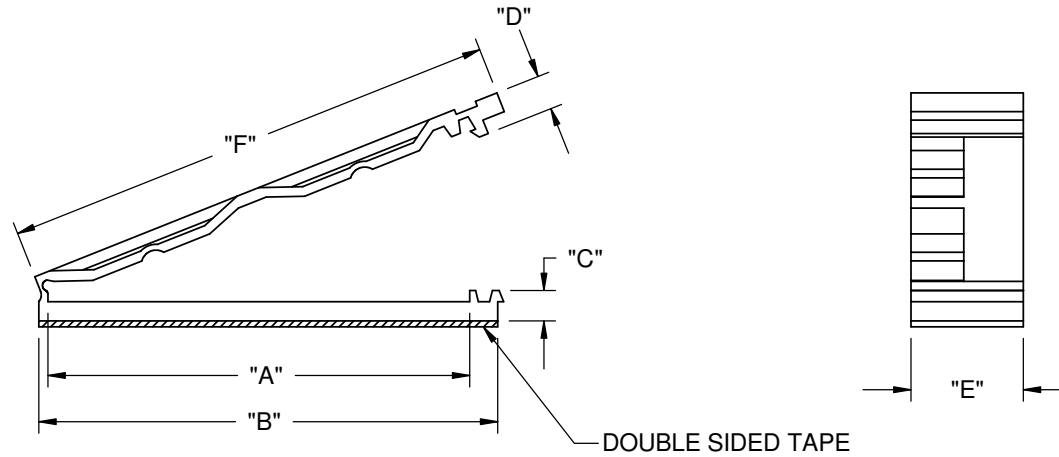
Email & Skype: info@chipsmall.com Web: www.chipsmall.com

Address: A1208, Overseas Decoration Building, #122 Zhenhua RD., Futian, Shenzhen, China



PART NO.	"A"	"B"	"C"	"D"	"E"	"F"	SUITABLE CABLE
TFCM-25S	.87 (22.0)	1.06 (27.0)	.12 (3.0)	.19 (4.7)	.39 (10.0)	1.26 (32.0)	15 PIN
TFCM-25	1.15 (29.3)	1.44 (36.5)	.12 (3.0)	.19 (4.7)	.39 (10.0)	1.57 (40.0)	20 PIN
TFCM-25M	2.20 (55.8)	2.41 (61.2)	.16 (4.0)	.19 (4.7)	.59 (15.0)	2.59 (66.0)	40 PIN

ALL DIMENSIONS ARE FOR REFERENCE ONLY



NOTES:

1. MATERIAL: NYLON 6/6 (RMS-74)
FLAME RETARDANT NYLON AVAILABLE BY SPECIAL ORDER
2. COLOR: NATURAL
3. TAPE: 1/32" (0.8) THICK DOUBLE SIDED FOAM ADHESIVE (RMS-431)

TITLE: TENSION FLAT CABLE CLAMP			DWG IN IN [MM]		FINAL		
CREATED USING SOLIDWORKS			FILE #: TFCM	DWN: S.J.	APP: SJ	PART #	
TOLERANCES UNLESS NOTED .XX=±.010 .XXX=±.005 FRAC.=±1/64 ANG.=±1°			SHEET: 1 OF 1	SHEET SIZE: A	DT: 5.27.03		CHKD: DJZ
B	CHANGED RMS NO. SEE CO 200715 FOR CHANGES	SK 10/03/11	RE: RICHCO, INC.		RICHCO, INC. ENG@RICHCO-INC.COM (773) 539-4060		PRINT TYPE
A	RELEASED FOR PRODUCTION	SM 05/28/03			SEE TABLE		CA
REV.	DESCRIPTION	ENGR. DATE					