



Chipsmall Limited consists of a professional team with an average of over 10 year of expertise in the distribution of electronic components. Based in Hongkong, we have already established firm and mutual-benefit business relationships with customers from,Europe,America and south Asia,supplying obsolete and hard-to-find components to meet their specific needs.

With the principle of "Quality Parts,Customers Priority,Honest Operation,and Considerate Service",our business mainly focus on the distribution of electronic components. Line cards we deal with include Microchip,ALPS,ROHM,Xilinx,Pulse,ON,Everlight and Freescale. Main products comprise IC,Modules,Potentiometer,IC Socket,Relay,Connector.Our parts cover such applications as commercial,industrial, and automotives areas.

We are looking forward to setting up business relationship with you and hope to provide you with the best service and solution. Let us make a better world for our industry!



## Contact us

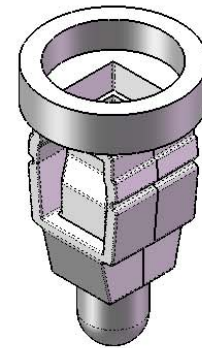
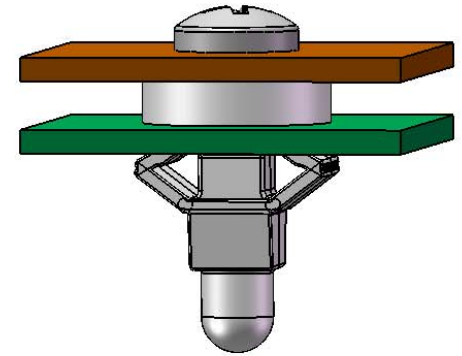
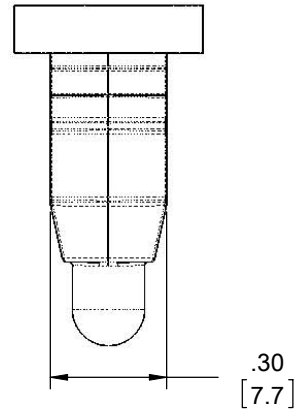
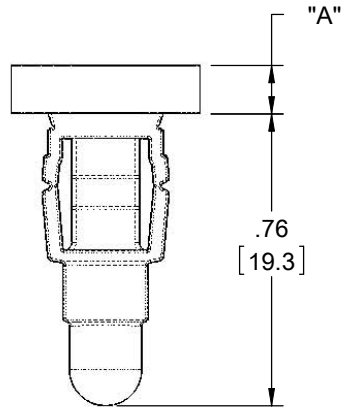
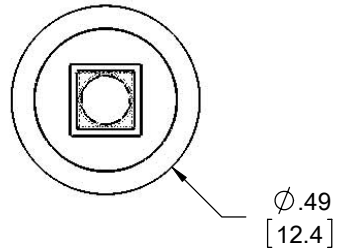
Tel: +86-755-8981 8866 Fax: +86-755-8427 6832

Email & Skype: info@chipsmall.com Web: www.chipsmall.com

Address: A1208, Overseas Decoration Building, #122 Zhenhua RD., Futian, Shenzhen, China



PART NO.	"A" ±.010	MOUNTING PANEL THICKNESS
TFR-1	.031 [0.80]	.060-.110 [1.5-2.8]
TFR-2	.125 [3.2]	.020-.110 [0.5-2.8]
TFR-3	.189 [4.8]	.020-.110 [0.5-2.8]



NOTES:

1. MATERIAL: NYLON 6/6 UL94 V-2 (RMS-01)
2. COLOR: NATURAL
3. MOUNTING HOLE: .315 ±.004 [8 ±0.1] SQUARE HOLE
4. USE #8 SELF THREADING SCREW
5. ALTERNATE UNITS FOR REFERENCE ONLY

TITLE: TOGGLE SCREW GROMMET						DWG IN IN [MM]	
CREATED USING SOLIDWORKS	FILE #: TFR	DWN: S.J.	APP: S.J.	FINAL			
TOLERANCES UNLESS NOTED	SHEET: 1 OF 1	SHEET SIZE: A	DT: 8.13.07	CHKD: S.K.	PART #		PRINT TYPE
.XX=±.010 .XXX=±.005 FRAC.=±1/64 ANG.=±1°	RE: RICHCO, INC.	RICHCO, INC. ENG@RICHCO-INC.COM (773) 539-4060		SEE TABLE		CA	

REV.	DESCRIPTION	ENGR.	DATE
B	SEE CO 200107 FOR CHANGES	SK	01/16/08
A	RELEASED FOR PRODUCTION	SK	08/15/07