



Chipsmall Limited consists of a professional team with an average of over 10 year of expertise in the distribution of electronic components. Based in Hongkong, we have already established firm and mutual-benefit business relationships with customers from,Europe,America and south Asia,supplying obsolete and hard-to-find components to meet their specific needs.

With the principle of “Quality Parts,Customers Priority,Honest Operation,and Considerate Service”,our business mainly focus on the distribution of electronic components. Line cards we deal with include Microchip,ALPS,ROHM,Xilinx,Pulse,ON,Everlight and Freescale. Main products comprise IC,Modules,Potentiometer,IC Socket,Relay,Connector.Our parts cover such applications as commercial,industrial, and automotives areas.

We are looking forward to setting up business relationship with you and hope to provide you with the best service and solution. Let us make a better world for our industry!



Contact us

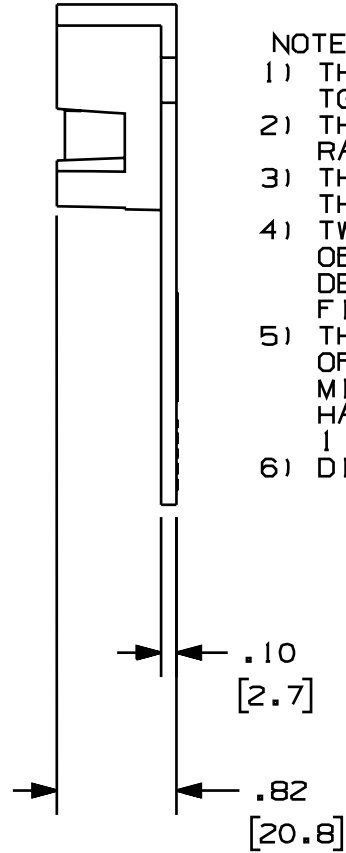
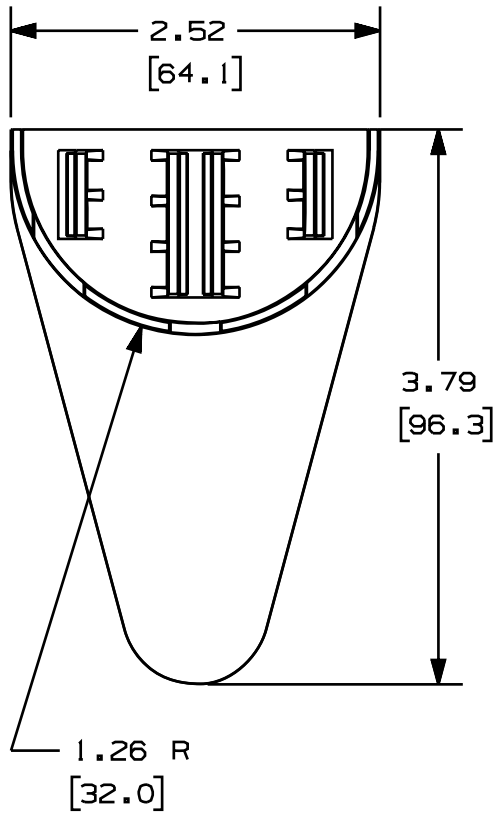
Tel: +86-755-8981 8866 Fax: +86-755-8427 6832

Email & Skype: info@chipsmall.com Web: www.chipsmall.com

Address: A1208, Overseas Decoration Building, #122 Zhenhua RD., Futian, Shenzhen, China



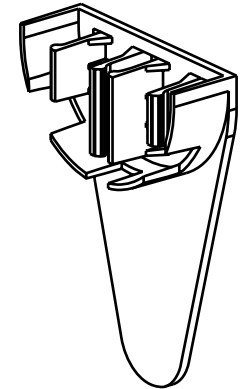
THIS COPY IS PROVIDED ON A RESTRICTED BASIS AND IS NOT TO BE USED IN ANY WAY DETRIMENTAL TO THE INTERESTS OF PANDUIT CORP.



PANDUIT P/N	WEIGHT
TGFSB	0.48 LB/ 10 PCS (217 G / 10 PCS)

NOTES:

- 1) THIS PART IS TO BE USED WITH THE TG70, TG80, OR TG86 SERIES RACEWAY.
- 2) THIS BRACKET WILL LATCH ONTO THE CENTER OF THE RACEWAY BASE- IF NO DIVIDER WALLS ARE PRESENT.
- 3) THIS BRACKET CAN ALSO LATCH OFFSET TO THE CENTER OF THE RACEWAY BASE- IF ONE OUTER DIVIDER WALL IS PRESENT.
- 4) TWO OF THESE BRACKETS MUST BE INSTALLED IN ORDER TO OBTAIN A COMPLETE FIBER SPOOL. THIS TWO-PIECE SPLIT DESIGN ALLOWS THE BRACKET DISTANCE TO BE ADJUSTED TO FIT THE LENGTH OF CABLE STORAGE REQUIRED.
- 5) THIS PART CAN STORE A MINIMUM OF 3.28 FEET (1 METER) OF DUPLEX FIBER OPTIC CABLE AT A 1.2 INCH (30 MILLIMETER) MINIMUM BEND RADIUS- WHEN THE SPOOL PORTIONS OF THE BRACKET HALVES ARE TOUCHING. CABLE STORAGE CAN BE INCREASED BEYOND 1 METER BY SPREADING THE BRACKET HALVES FARTHER APART.
- 6) DIMENSIONS IN PARENTHESES ARE IN METRIC.



CAD FILENAME/LAYERS D37270DK_DC_TGFSB_00A.PRT

PANDUIT CORP. TINLEY PARK, ILLINOIS
TG FIBER SPOOL BRACKET
(TGFSB)
CUSTOMER DRAWING

UNLESS OTHERWISE SPECIFIED,
DIMENSIONAL TOLERANCES ARE:
(.X) ± (.XXX) ±
(.XX) ±.03 (.8) ANGLES ±

UNLESS OTHERWISE SPECIFIED,
ALL DIMENSIONS ARE GIVEN
IN INCHES, THIRD ANGLE PROJECTION.

DRAWN BY JHNU	MAT'L: PVC	SCALE NONE
DATE 3/7/00		DRAWING NO. 37270-38
CHECKED BY CAZ		DWG A SIZE

REV	DATE	BY	CHK	DESCRIPTION	ECN	CHK	CUST	SUP
R	3/7/00	JHNU	CAZ	RELEASED TO PRODUCTION.	37270-38	HIW	HIW	