



Chipsmall Limited consists of a professional team with an average of over 10 year of expertise in the distribution of electronic components. Based in Hongkong, we have already established firm and mutual-benefit business relationships with customers from,Europe,America and south Asia,supplying obsolete and hard-to-find components to meet their specific needs.

With the principle of “Quality Parts,Customers Priority,Honest Operation,and Considerate Service”,our business mainly focus on the distribution of electronic components. Line cards we deal with include Microchip,ALPS,ROHM,Xilinx,Pulse,ON,Everlight and Freescale. Main products comprise IC,Modules,Potentiometer,IC Socket,Relay,Connector.Our parts cover such applications as commercial,industrial, and automotives areas.

We are looking forward to setting up business relationship with you and hope to provide you with the best service and solution. Let us make a better world for our industry!



Contact us

Tel: +86-755-8981 8866 Fax: +86-755-8427 6832

Email & Skype: info@chipsmall.com Web: www.chipsmall.com

Address: A1208, Overseas Decoration Building, #122 Zhenhua RD., Futian, Shenzhen, China

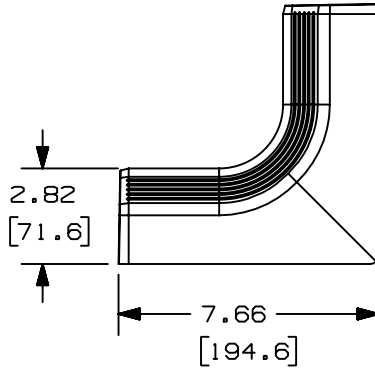
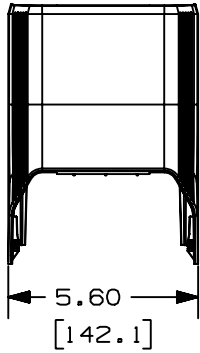


THIS COPY IS PROVIDED ON A RESTRICTED BASIS AND IS NOT TO BE USED IN ANY WAY DETRIMENTAL TO THE INTERESTS OF PANDUIT CORP.

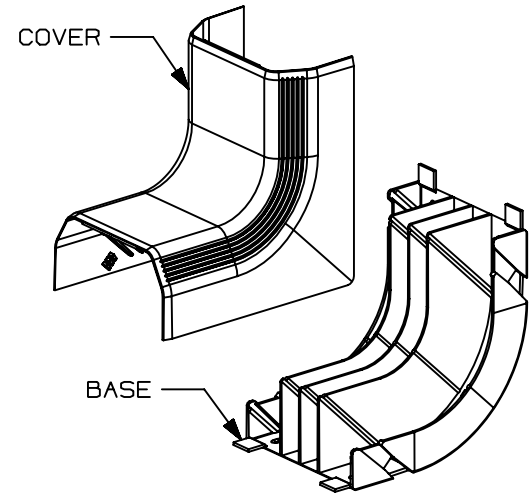
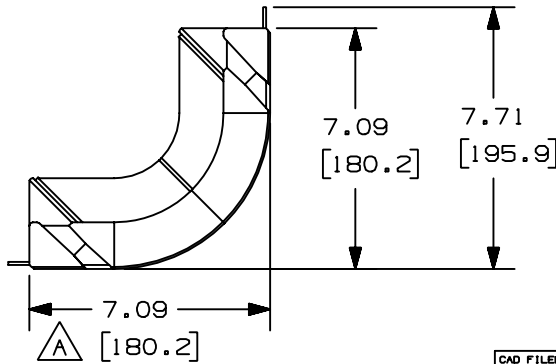
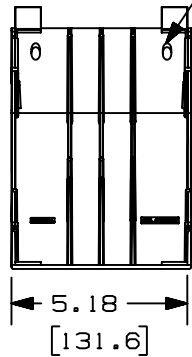
PANDUIT P/N	WEIGHT
TGSIC	1.46 LB (662.8 g)

NOTES:

1. SEE CURRENT CATALOG FOR ADDITIONAL PART SUFFIXES TO INDICATE COLOR AND OR PACKAGE QUANTITY.
2. THIS PRODUCT IS INTENDED TO OVERLAP BOTH TG COVERS.
3. DIMENSIONS IN PARENTHESIS ARE IN METRIC.



MOUNTING HOLES
(4 PLACES)



CAD FILENAME/LAYERS D38598BC_DC_TGSIC_00C.PRT

PANDUIT CORP. TINLEY PARK, ILLINOIS
 TG STANDARD INSIDE CORNER
 FITTING (TGSIC)
 CUSTOMER DRAWING

UNLESS OTHERWISE SPECIFIED,
 DIMENSIONAL TOLERANCES ARE:
 (.X) ± (.XXX) ±
 (.XX) ±.03(.8) ANGLES ±

UNLESS OTHERWISE SPECIFIED,
 ALL DIMENSIONS ARE GIVEN
 IN INCHES, THIRD ANGLE PROJECTION.

REV	DATE	BY	CHK	DESCRIPTION	ECN	CHK	CUST	SUP
2	04-02-04	JBN	PM	RELEASED TO PRODUCTION	38598-03	RGRO	RGRO	
1	10-30-03	JBN	PM	A. REVISED DIMENSION: 7.09 [180.2] WAS 6.95 [176.6]				
R	1-17-03	JHNU	PM	DRAWING RELEASED				

DRAWN BY JHNU	MAT'L: PVC
DATE 1-17-03	
CHECKED BY PM	

SCALE NONE
DRAWING NO. 38598-03

DWG A
SIZE