



Chipsmall Limited consists of a professional team with an average of over 10 year of expertise in the distribution of electronic components. Based in Hongkong, we have already established firm and mutual-benefit business relationships with customers from,Europe,America and south Asia,supplying obsolete and hard-to-find components to meet their specific needs.

With the principle of “Quality Parts,Customers Priority,Honest Operation,and Considerate Service”,our business mainly focus on the distribution of electronic components. Line cards we deal with include Microchip,ALPS,ROHM,Xilinx,Pulse,ON,Everlight and Freescale. Main products comprise IC,Modules,Potentiometer,IC Socket,Relay,Connector.Our parts cover such applications as commercial,industrial, and automotives areas.

We are looking forward to setting up business relationship with you and hope to provide you with the best service and solution. Let us make a better world for our industry!



Contact us

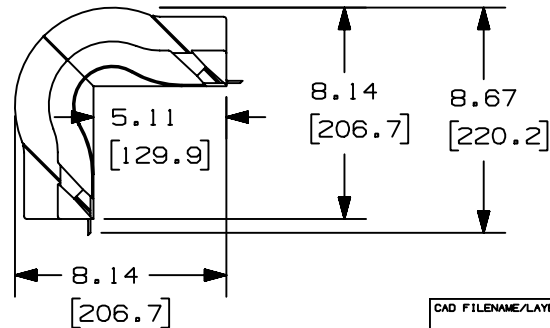
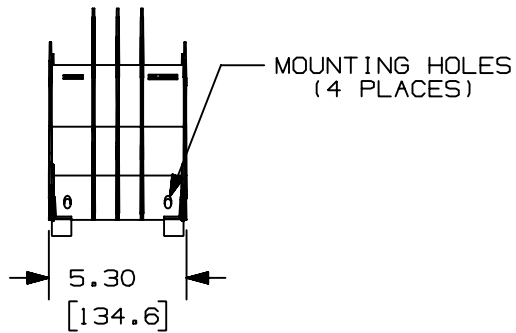
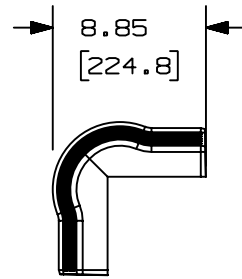
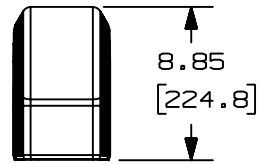
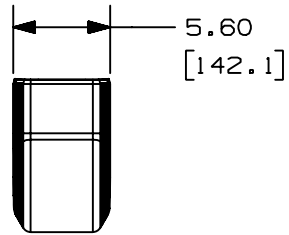
Tel: +86-755-8981 8866 Fax: +86-755-8427 6832

Email & Skype: info@chipsmall.com Web: www.chipsmall.com

Address: A1208, Overseas Decoration Building, #122 Zhenhua RD., Futian, Shenzhen, China

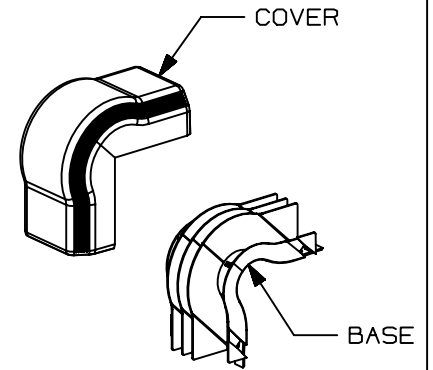


THIS COPY IS PROVIDED ON A RESTRICTED BASIS AND IS NOT TO BE USED IN ANY WAY DETRIMENTAL TO THE INTERESTS OF PANDUIT CORP.



PANDUIT PART NO.	WEIGHT
TGSOC	1.69 LB (766.3 g)

1. THIS FITTING IS INTENDED TO OVERLAP BOTH TG COVERS.
2. DIMENSIONS IN PARENTHESIS ARE IN METRIC.
3. SEE CURRENT CATALOG FOR ADDITIONAL PART SUFFIXES TO INDICATE COLOR AND OR PACKAGE QUANTITY.



CAD FILENAME/LAYERS D38563BC_DC_TGSOC_00C.prt

PANDUIT CORP. TINLEY PARK, ILLINOIS

△ TG STANDARD OUTSIDE CORNER FITTING (TGSOC) CUSTOMER DRAWING

UNLESS OTHERWISE SPECIFIED, DIMENSIONAL TOLERANCES ARE:
(.X) ± (.XXX) ± .005
(.XX) ± .010 ANGLES ± 1°

UNLESS OTHERWISE SPECIFIED, ALL DIMENSIONS ARE GIVEN IN INCHES, THIRD ANGLE PROJECTION.

REV	DATE	BY	CHK	DESCRIPTION	ECN	R	CUST	SUP
2	01-29-04	JBN	PM	RELEASED TO PRODUCTION	38563-03	RGRO	RGRO	
1	10-30-03	JBN	PM	A. REVISED TITLE: STANDARD WAS NON-ADJUSTABLE				
R	10-15-02	JHNU	PM	DRAWING RELEASED				

DRAWN BY JHNU	MAT'L: SEE NOTES ABOVE	SCALE NONE
DATE 10-15-02		DRAWING NO. 38563-03
CHK'D PM		DWG A SIZE