



Chipsmall Limited consists of a professional team with an average of over 10 year of expertise in the distribution of electronic components. Based in Hongkong, we have already established firm and mutual-benefit business relationships with customers from,Europe,America and south Asia,supplying obsolete and hard-to-find components to meet their specific needs.

With the principle of “Quality Parts,Customers Priority,Honest Operation,and Considerate Service”,our business mainly focus on the distribution of electronic components. Line cards we deal with include Microchip,ALPS,ROHM,Xilinx,Pulse,ON,Everlight and Freescale. Main products comprise IC,Modules,Potentiometer,IC Socket,Relay,Connector.Our parts cover such applications as commercial,industrial, and automotives areas.

We are looking forward to setting up business relationship with you and hope to provide you with the best service and solution. Let us make a better world for our industry!



## Contact us

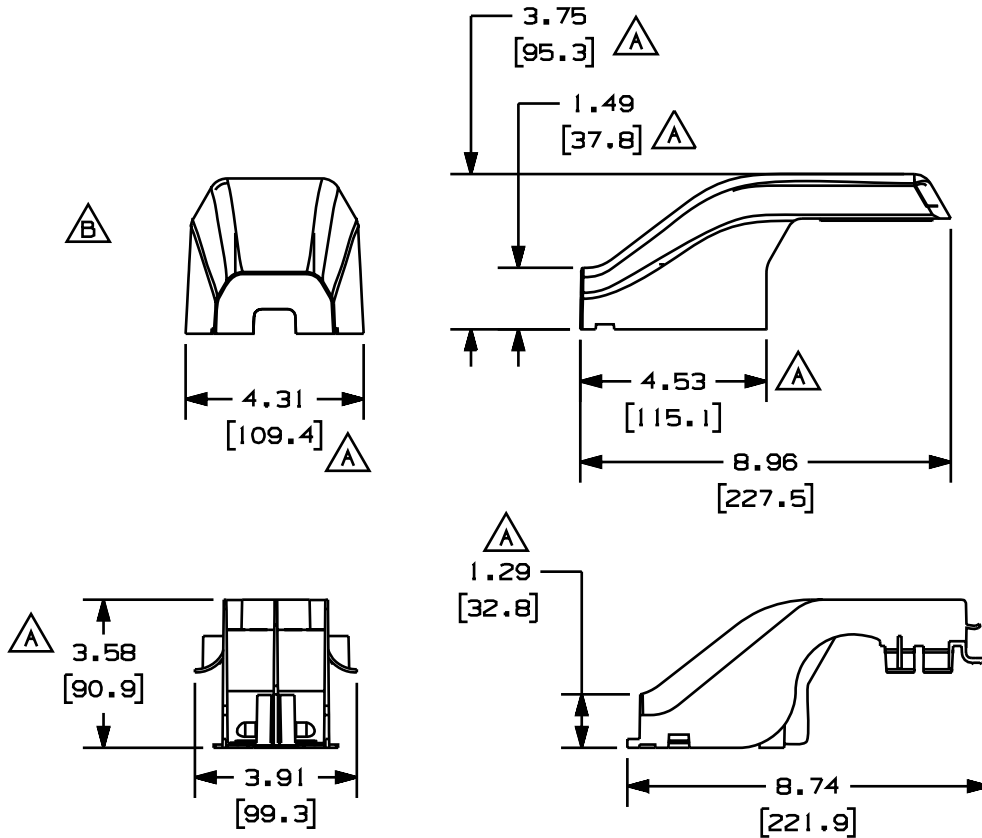
Tel: +86-755-8981 8866 Fax: +86-755-8427 6832

Email & Skype: info@chipsmall.com Web: www.chipsmall.com

Address: A1208, Overseas Decoration Building, #122 Zhenhua RD., Futian, Shenzhen, China



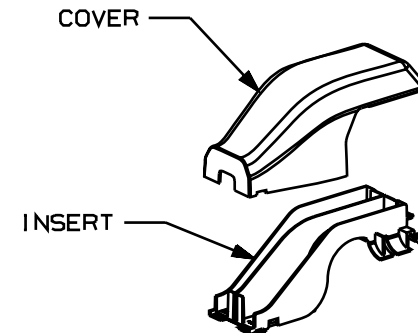
THIS COPY IS PROVIDED ON A RESTRICTED BASIS AND IS NOT TO BE USED IN ANY WAY DETRIMENTAL TO THE INTERESTS OF PANDUIT CORP.



PANDUIT PART NO.	WEIGHT
TGTR	.67 LB/ EACH [ 308 g/ EACH ]

NOTES:

1. SEE CURRENT CATALOG FOR ADDITIONAL PART NUMBER SUFFIXES TO INDICATE COLOR AND/OR PACKAGE QUANTITY.
2. THIS PRODUCT IS INTENDED TO BE USED WITH PANDUIT TYPE TG RACEWAY.
3. DIMENSIONS IN PARENTESIS ARE METRIC.



CAD FILENAME/LAYERS D37270ED\_DC\_TGTR\_01A.PRT

**PANDUIT** CORP., TINLEY PARK, ILLINOIS  
 TG TRANSITION FITTING (TGTR)  
 CUSTOMER DRAWING

UNLESS OTHERWISE SPECIFIED, DIMENSIONAL TOLERANCES ARE:  
 (.X) : .03 | .81 ANGLES :  
 (.XX) : .03 | .81

UNLESS OTHERWISE SPECIFIED, ALL DIMENSIONS ARE GIVEN IN INCHES, THIRD ANGLE PROJECTION.

REV	DATE	BY	CHK	DESCRIPTION	ECN	R	CUST	SUP
I	5-18-01	REWE	HIW	D. REMOVED AND REVISED TOLERANCES C. REVISED WEIGHT QUANTITY				
R	4/14/00	JHN/RCRO		B. REMOVED DIMENSION A. REVISED DIMENSION RELEASED TO PRODUCTION	37270-70	HIW	HIW	

DRAWN BY JHN/RCRO  
 DATE 4/14/00  
 DWT/D

MAT'L: SEE NOTES ABOVE

SCALE NONE  
 DRAWING NO. 37270-70  
 DWG SIZE A