



Chipsmall Limited consists of a professional team with an average of over 10 year of expertise in the distribution of electronic components. Based in Hongkong, we have already established firm and mutual-benefit business relationships with customers from,Europe,America and south Asia,supplying obsolete and hard-to-find components to meet their specific needs.

With the principle of “Quality Parts,Customers Priority,Honest Operation,and Considerate Service”,our business mainly focus on the distribution of electronic components. Line cards we deal with include Microchip,ALPS,ROHM,Xilinx,Pulse,ON,Everlight and Freescale. Main products comprise IC,Modules,Potentiometer,IC Socket,Relay,Connector.Our parts cover such applications as commercial,industrial, and automotives areas.

We are looking forward to setting up business relationship with you and hope to provide you with the best service and solution. Let us make a better world for our industry!



Contact us

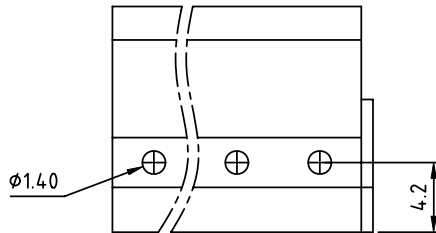
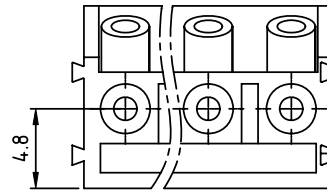
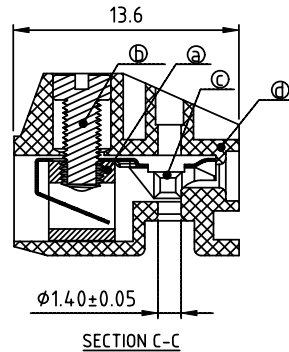
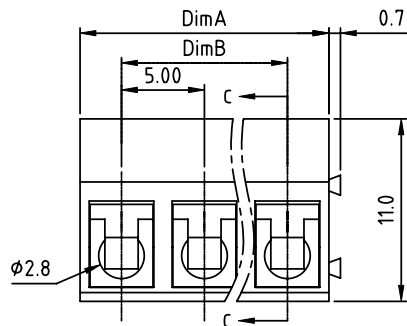
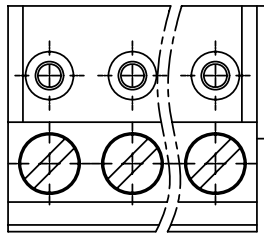
Tel: +86-755-8981 8866 Fax: +86-755-8427 6832

Email & Skype: info@chipsmall.com Web: www.chipsmall.com

Address: A1208, Overseas Decoration Building, #122 Zhenhua RD., Futian, Shenzhen, China



PRODUCT NUMBER	PITCH
THxx01x000J0G	5.00 mm



Material

- Item ① Clamp: Brass(CuZn) Tin plated
- Item ② Terminal screw: Steel Zinc plating "-" slot type
- Item ③ Female contact :PhBz (CuSn)
- Item ④ Terminal(housing): Thermoplastic (UL94V-0)

Electrical cULus / TUV / VDE

- Voltage rating: 300V/300V/300V
- Current rating: 15A/15A/12A
- Wire range: 0.34-1.5mm² / 0.34-1.5mm²
- Solid wire(AWG): 14-22 / 14-22
- Stranded wire(AWG): 14-22 / 14-22
- Torque: 3.5Lb-In / 0.4N.m / 0.4N.m
- Screw: M2.6
- Wire strip length: 5-6mm
- Withstanding Voltage: 1.6KV/2.5KV/2.5KV
- Operating temperature: -40°C to +115°C
- Safety Approval:



PART NO.: TH xx 01 x 0 00J0 G

N = Number of poles

Dim A=Nx5.0

Dim B=(N-1)x5.0

poles	Tolerance	
	Dim A	Dim B
2-6p	±0.15	±0.10
7-12p	±0.25	±0.15
13-18p	±0.30	±0.20
19-24p	±0.40	±0.30

End Stackable	No. of poles	Body Color	RoHS compliant
0	2	Black (RAL9005)	(lead<4%)
02	2 poles	Red (RAL3001/D)	In copper Alloy
03	3 poles	Orange(RAL2011/P)	
...	...	4 Yellow(RAL1018/A)	
...	...	5 Green(RAL6018/T)	
24	24 poles	6 Blue (RAL5015/A)	
		8 Grey(RAL7035/D)	
		9 White(RAL1102)	
		C Green(RAL6018/U)	

mat'l. code		surface ASME Y14.5 ✓	tolerance ASME Y14.5	projection	product family
ltr ecn no dr date		tolerances unless otherwise specified		MM	TERMINAL BLOCK
		angles	X.±0.5	← MM →	title
		X*±1*	X.X±0.3	scale	TERMINAL BLOCK
		dr	X.XX±0.1	FCI	WIRE PROTECTOR, PLUGGABLE PLUG, END STACKABLE
		enrg			dwg no sheet 1 of 1 size
		chr			THxx01x000J0G A4
		appd			type CUSTOMER Drawing
sheet index	revision sheet	A	1		