



Chipsmall Limited consists of a professional team with an average of over 10 year of expertise in the distribution of electronic components. Based in Hongkong, we have already established firm and mutual-benefit business relationships with customers from,Europe,America and south Asia,supplying obsolete and hard-to-find components to meet their specific needs.

With the principle of “Quality Parts,Customers Priority,Honest Operation,and Considerate Service”,our business mainly focus on the distribution of electronic components. Line cards we deal with include Microchip,ALPS,ROHM,Xilinx,Pulse,ON,Everlight and Freescale. Main products comprise IC,Modules,Potentiometer,IC Socket,Relay,Connector.Our parts cover such applications as commercial,industrial, and automotives areas.

We are looking forward to setting up business relationship with you and hope to provide you with the best service and solution. Let us make a better world for our industry!



## Contact us

Tel: +86-755-8981 8866 Fax: +86-755-8427 6832

Email & Skype: info@chipsmall.com Web: www.chipsmall.com

Address: A1208, Overseas Decoration Building, #122 Zhenhua RD., Futian, Shenzhen, China



## THL3503 Evaluation Board (THEVAL3503)

### 16-channel LED Driver with LVDS Interface

#### Overview

The THL3503 is an LED driver with 16 channel constant current sink outputs. The constant current values for three output groups are determined by external resistors.

The embedded oscillator and PWM controller individually generates 256-step brightness set by the dedicated registers for each channel.

The serial interface of 2-pair LVDS lines (clock and data) features high-level noise tolerance, high-speed, and long-distance transmission.

The LVDS allowing cascaded and multi-drop connection offers the maximum flexibility for designers to place and connect LED drivers.

The simple and one-way communication protocol is easily-controlled and requires less CPU resources.

#### Applications

- Amusement
- LED Backlight
- LED Display
- Digital Signage
- Illumination

#### Features

<Driver part>

- Constant Current Output: 16 channels
- Output Sink Current: up to 40mA/ch
- Output voltage: up to 40V
- Individual Brightness Control: 256 steps
- Group Brightness Control: 64 steps
- Output disable/enable

<Serial interface part>

- 2-pair Serial LVDS Input or 3-wire Serial CMOS Input up to 10Mbps
- Bridge Function Converting 3-wire Serial CMOS Input to 2-pair Serial LVDS Output
- Repeater function of 2-pair Serial LVDS Input/ Output with Waveform and Timing Correction
- Device Address Selection up to 62 addresses
- General call to all devices

<Protection Circuits>

- UVLO, Overcurrent Protection, Thermal Shutdown
- Supply Voltage: 3.0~5.5V
- Package: QFN 40-pin Exposed Pad

#### Description

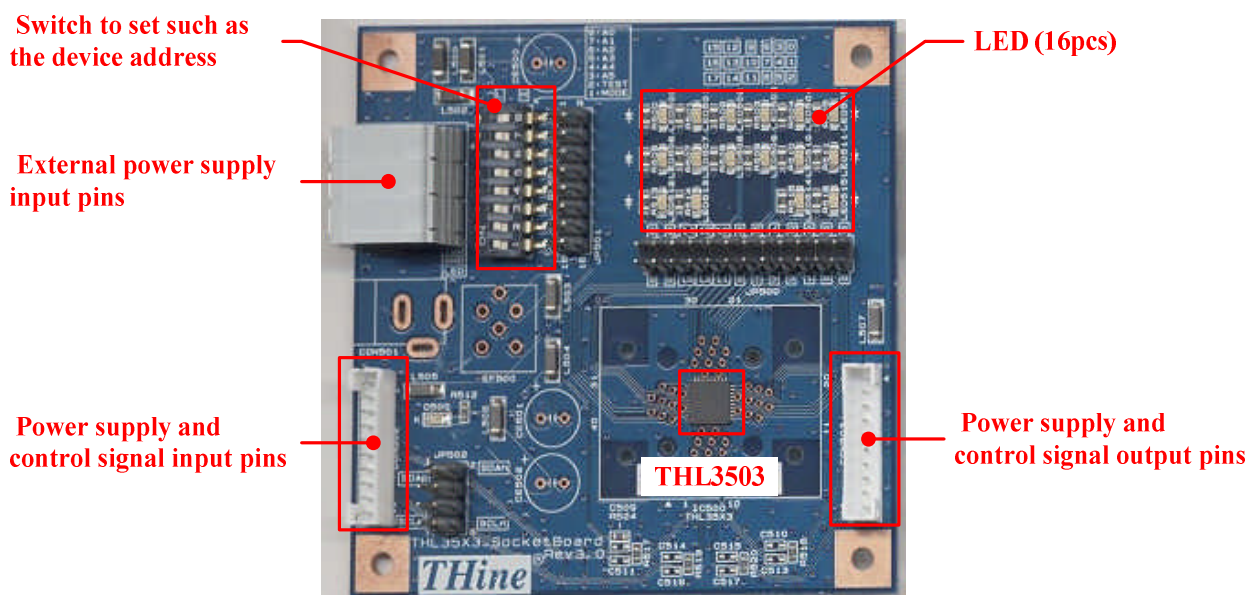


Figure 1 Board Overview

## ■Power Supply Inputs

The method for connecting power supply inputs are shown below.

1) The all power supply inputs from the pre-stage. (Factory default settings)

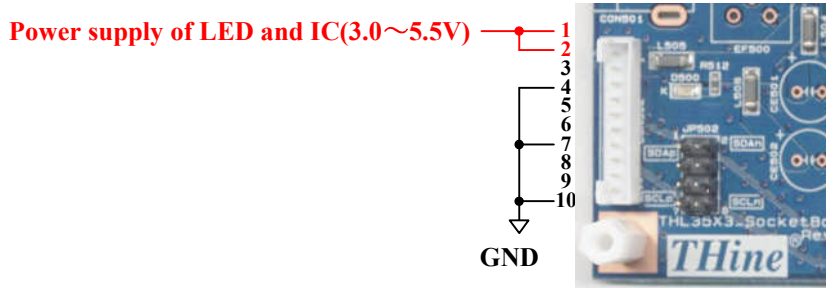


Figure 2 Power supply from pre-stage

2) The all power supply inputs from the external unit.

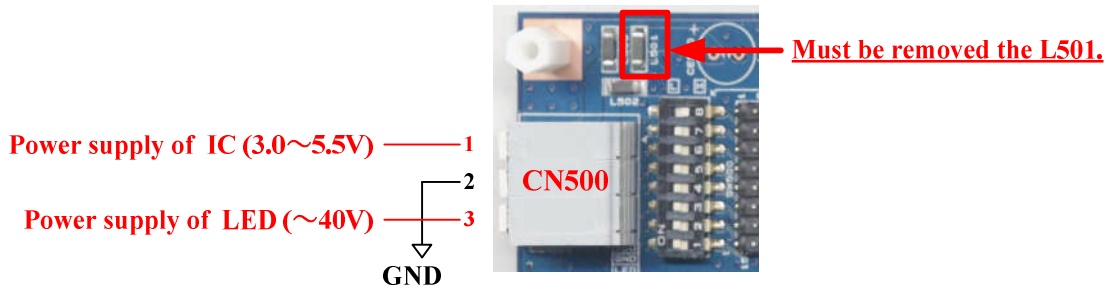


Figure 3 Power supply from external unit

3) The power supply of LED inputs from the external unit and the power supply of IC inputs from the pre-stage.

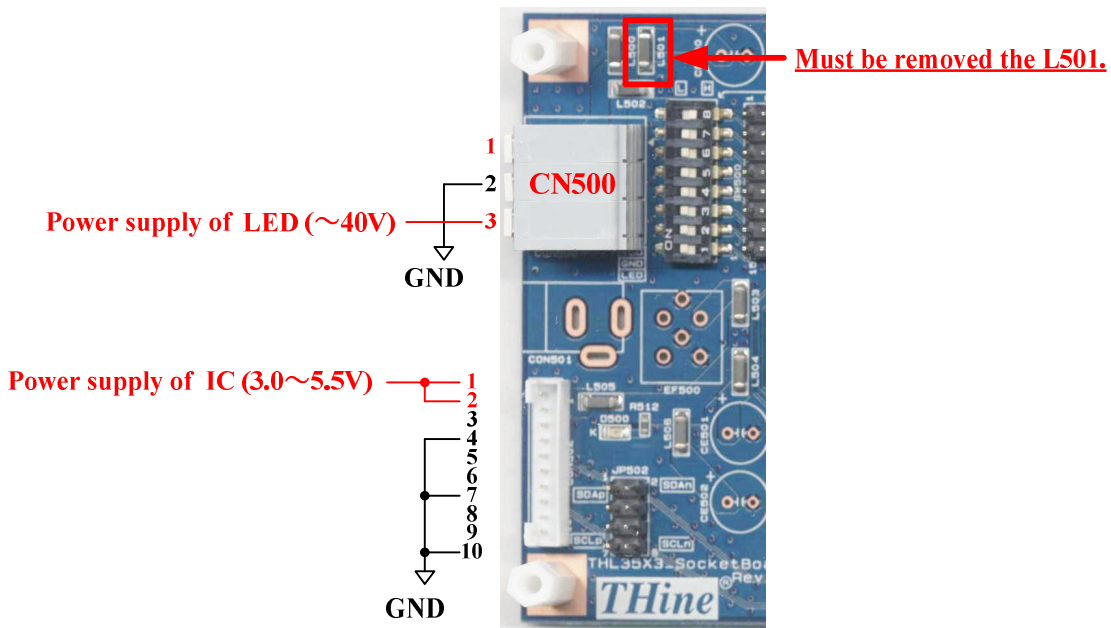


Figure 4 Power supply from external unit and pre-stage

## ■Dip-Switch Setting

Dip-Switch can set the device address and the control signal input mode.

#2 TEST always set to Low.

1) Setting of the device address.

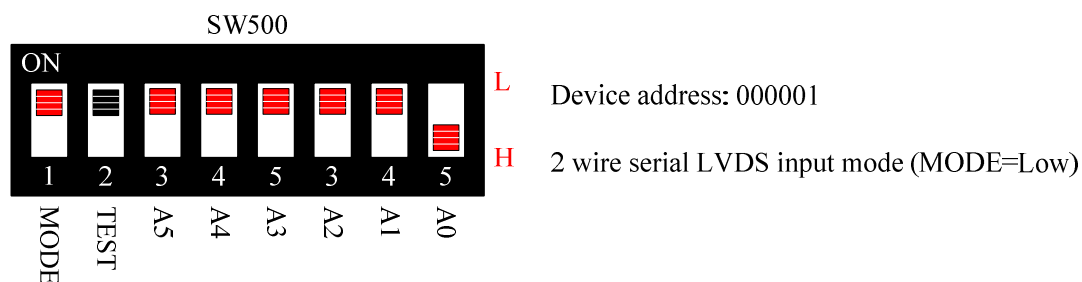
Device address can set the A0 to A5. Switch is the Low level when the ON side.

2) Setting of the control signal input mode.

Please refer to the following control signal input mode settings.

**Table 1 Control signal input mode**

| Input Mode         | MODE pin |
|--------------------|----------|
| 3 wire serial CMOS | High     |
| 2 wire serial LVDS | Low      |



**Figure 5 Example for DIP-Switch**

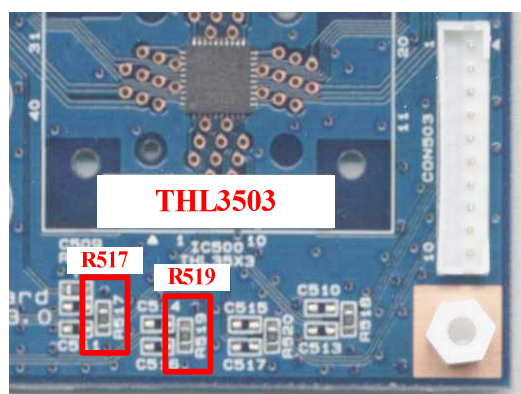
## ■Input Mode Setting

In the case of change the control signal input mode, the following processing is required.

1) To 2 wire serial LVDS input: Please implement the 100 ohm resistor to R517 and R519.

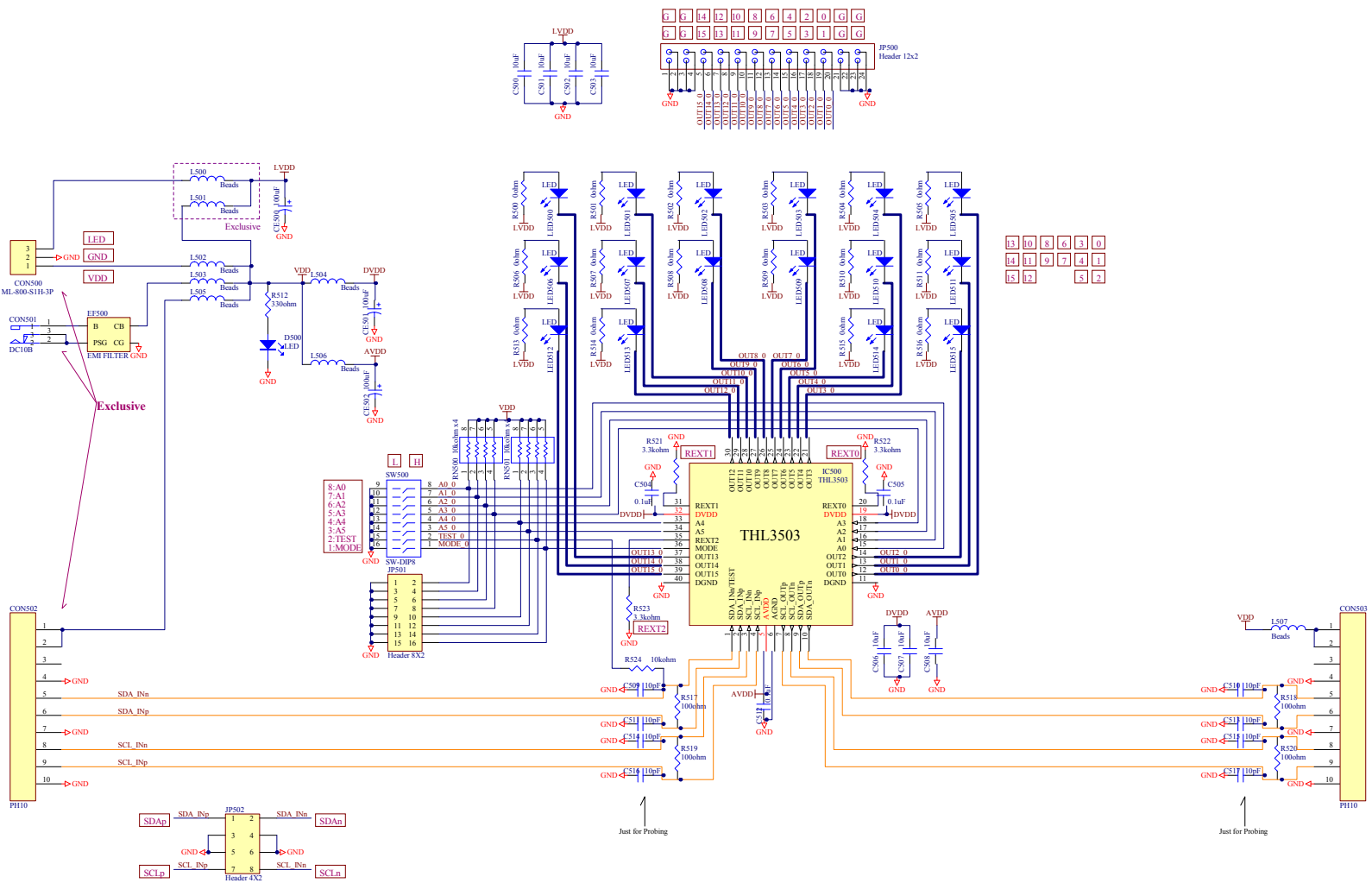
(Factory default settings)

2) To 3 wire serial CMOS input: Please remove the 100 ohm resistor from R517 and R519.



**Figure 6 Processed terminal resistor**

**Board schematic**



**Figure 7 Board schematic**

**■Bill of materials**
**Table 2 Bill of materials**

| #  | Designator | Description     | Size         | Part Number         | Manufacturer   |
|----|------------|-----------------|--------------|---------------------|----------------|
| 1  | C500       | Capacitor       | 3225         | GRM32EB31H106KA12   | Murata         |
| 2  | C501       | Capacitor       | 3225         | GRM32EB31H106KA12   | Murata         |
| 3  | C502       | Capacitor       | 3225         | GRM32EB31H106KA12   | Murata         |
| 4  | C503       | Capacitor       | 3225         | GRM32EB31H106KA12   | Murata         |
| 5  | C504       | Capacitor       | 1608         | GRM188B31H104KA92   | Murata         |
| 6  | C505       | Capacitor       | 1608         | GRM188B31H104KA92   | Murata         |
| 7  | C506       | Capacitor       | 3225         | GRM32EB31H106KA12   | Murata         |
| 8  | C507       | Capacitor       | 3225         | GRM32EB31H106KA12   | Murata         |
| 9  | C508       | Capacitor       | 3225         | GRM32EB31H106KA12   | Murata         |
| 10 | C512       | Capacitor       | 1608         | GRM188B31H104KA92   | Murata         |
| 11 | CON500     | Connector       |              | ML-800-SIH-3P       | Sato-parts     |
| 12 | CON502     | Nylon Connector |              | B10B-PH-K-S(LF)(SN) | JST            |
| 13 | CON503     | Nylon Connector |              | B10B-PH-K-S(LF)(SN) | JST            |
| 14 | D500       | LED(Red)        |              | SML-210LT           | Rohm           |
| 15 | IC500      | LED Driver      | QFN40        | THL3503             | THine          |
| 16 | JP500      | Pin Header      | 2.54mm pitch | JTW-2500            | Hirosugi-Keiki |
| 17 | JP501      | Pin Header      | 2.54mm pitch | JTW-2500            | Hirosugi-Keiki |
| 18 | JP502      | Pin Header      | 2.54mm pitch | JTW-2500            | Hirosugi-Keiki |
| 19 | L500       | Bead            | 4516         | BLM41PG600SN1L      | Murata         |
| 20 | L502       | Bead            | 4516         | BLM41PG600SN1L      | Murata         |
| 21 | L503       | Bead            | 4516         | BLM41PG600SN1L      | Murata         |
| 22 | L504       | Bead            | 4516         | BLM41PG600SN1L      | Murata         |
| 23 | L505       | Bead            | 4516         | BLM41PG600SN1L      | Murata         |
| 24 | L506       | Bead            | 4516         | BLM41PG600SN1L      | Murata         |
| 25 | L507       | Bead            | 4516         | BLM41PG600SN1L      | Murata         |
| 26 | LED500     | LED             | 2012         | PY1112H-TR          | Stanley        |
| 27 | LED501     | LED             | 2012         | PY1112H-TR          | Stanley        |
| 28 | LED502     | LED             | 2012         | PY1112H-TR          | Stanley        |
| 29 | LED503     | LED             | 2012         | PY1112H-TR          | Stanley        |
| 30 | LED504     | LED             | 2012         | PY1112H-TR          | Stanley        |
| 31 | LED505     | LED             | 2012         | PY1112H-TR          | Stanley        |
| 32 | LED506     | LED             | 2012         | PY1112H-TR          | Stanley        |
| 33 | LED507     | LED             | 2012         | PY1112H-TR          | Stanley        |
| 34 | LED508     | LED             | 2012         | PY1112H-TR          | Stanley        |
| 35 | LED509     | LED             | 2012         | PY1112H-TR          | Stanley        |
| 36 | LED510     | LED             | 2012         | PY1112H-TR          | Stanley        |
| 37 | LED511     | LED             | 2012         | PY1112H-TR          | Stanley        |
| 38 | LED512     | LED             | 2012         | PY1112H-TR          | Stanley        |
| 39 | LED513     | LED             | 2012         | PY1112H-TR          | Stanley        |
| 40 | LED514     | LED             | 2012         | PY1112H-TR          | Stanley        |
| 41 | LED515     | LED             | 2012         | PY1112H-TR          | Stanley        |
| 42 | R500       | Resistor        | 2012         | RK73Z2ATTD          | KOA            |
| 43 | R501       | Resistor        | 2012         | RK73Z2ATTD          | KOA            |
| 44 | R502       | Resistor        | 2012         | RK73Z2ATTD          | KOA            |
| 45 | R503       | Resistor        | 2012         | RK73Z2ATTD          | KOA            |
| 46 | R504       | Resistor        | 2012         | RK73Z2ATTD          | KOA            |
| 47 | R505       | Resistor        | 2012         | RK73Z2ATTD          | KOA            |
| 48 | R506       | Resistor        | 2012         | RK73Z2ATTD          | KOA            |
| 49 | R507       | Resistor        | 2012         | RK73Z2ATTD          | KOA            |
| 50 | R508       | Resistor        | 2012         | RK73Z2ATTD          | KOA            |
| 51 | R509       | Resistor        | 2012         | RK73Z2ATTD          | KOA            |
| 52 | R510       | Resistor        | 2012         | RK73Z2ATTD          | KOA            |
| 53 | R511       | Resistor        | 2012         | RK73Z2ATTD          | KOA            |
| 54 | R512       | Resistor        | 1608         | RK73B1JBK331J       | KOA            |
| 55 | R513       | Resistor        | 2012         | RK73Z2ATTD          | KOA            |
| 56 | R514       | Resistor        | 2012         | RK73Z2ATTD          | KOA            |
| 57 | R515       | Resistor        | 2012         | RK73Z2ATTD          | KOA            |
| 58 | R516       | Resistor        | 2012         | RK73Z2ATTD          | KOA            |
| 59 | R517       | Resistor        | 1608         | RK73B1JBK101J       | KOA            |
| 60 | R518       | Resistor        | 1608         | RK73B1JBK101J       | KOA            |
| 61 | R519       | Resistor        | 1608         | RK73B1JBK101J       | KOA            |
| 62 | R520       | Resistor        | 1608         | RK73B1JBK101J       | KOA            |
| 63 | R521       | Resistor        | 1608         | RK73B1JBK332J       | KOA            |
| 64 | R522       | Resistor        | 1608         | RK73B1JBK332J       | KOA            |
| 65 | R523       | Resistor        | 1608         | RK73B1JBK332J       | KOA            |
| 66 | R524       | Resistor        | 1608         | RK73B1JBK103J       | KOA            |
| 67 | RN500      | Resistor Array  | 3216         | CN1J4TTD103J        | KOA            |
| 68 | RN501      | Resistor Array  | 3216         | CN1J4TTD103J        | KOA            |
| 69 | SW500      | DIP Switch      |              | A6S-8101-H          | Omron          |

**Notices and Requests**

1. The product specifications described in this material are subject to change without prior notice.
2. The circuit diagrams described in this material are examples of the application which may not always apply to the customer's design. We are not responsible for possible errors and omissions in this material. Please note if errors or omissions should be found in this material, we may not be able to correct them immediately.
3. This material contains our copyright, know-how or other proprietary. Copying or disclosing to third parties the contents of this material without our prior permission is prohibited.
4. Note that if infringement of any third party's industrial ownership should occur by using this product, we will be exempted from the responsibility unless it directly relates to the production process or functions of the product.
5. This product is presumed to be used for general electric equipment, not for the applications which require very high reliability (including medical equipment directly concerning people's life, aerospace equipment, or nuclear control equipment). Also, when using this product for the equipment concerned with the control and safety of the transportation means, the traffic signal equipment, or various Types of safety equipment, please do it after applying appropriate measures to the product.
6. Despite our utmost efforts to improve the quality and reliability of the product, faults will occur with a certain small probability, which is inevitable to a semi-conductor product. Therefore, you are encouraged to have sufficiently redundant or error preventive design applied to the use of the product so as not to have our product cause any social or public damage.
7. Please note that this product is not designed to be radiation-proof.
8. Customers are asked, if required, to judge by themselves if this product falls under the category of strategic goods under the Foreign Exchange and Foreign Trade Control Law.
9. The product or peripheral parts may be damaged by a surge in voltage over the absolute maximum ratings or malfunction, if pins of the product are shorted by such as foreign substance. The damages may cause a smoking and ignition. Therefore, you are encouraged to implement safety measures by adding protection devices, such as fuses.

***THine Electronics, Inc.***  
sales@thine.co.jp