



Chipsmall Limited consists of a professional team with an average of over 10 year of expertise in the distribution of electronic components. Based in Hongkong, we have already established firm and mutual-benefit business relationships with customers from,Europe,America and south Asia,supplying obsolete and hard-to-find components to meet their specific needs.

With the principle of “Quality Parts,Customers Priority,Honest Operation,and Considerate Service”,our business mainly focus on the distribution of electronic components. Line cards we deal with include Microchip,ALPS,ROHM,Xilinx,Pulse,ON,Everlight and Freescale. Main products comprise IC,Modules,Potentiometer,IC Socket,Relay,Connector.Our parts cover such applications as commercial,industrial, and automotives areas.

We are looking forward to setting up business relationship with you and hope to provide you with the best service and solution. Let us make a better world for our industry!



Contact us

Tel: +86-755-8981 8866 Fax: +86-755-8427 6832

Email & Skype: info@chipsmall.com Web: www.chipsmall.com

Address: A1208, Overseas Decoration Building, #122 Zhenhua RD., Futian, Shenzhen, China

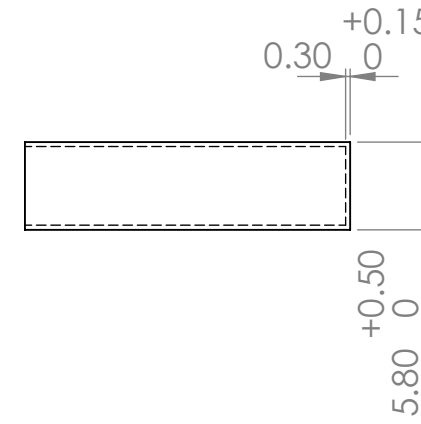
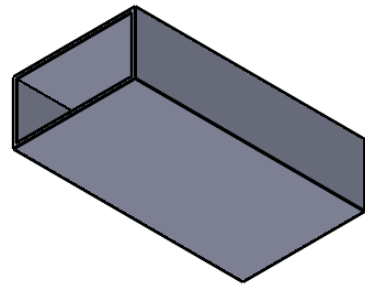
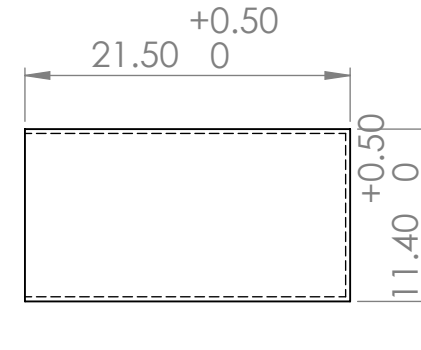
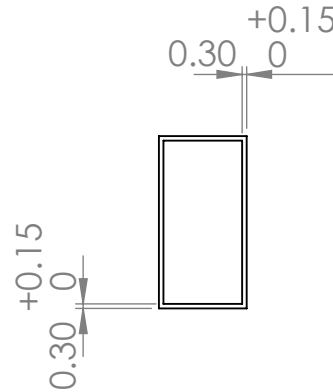


PROPRIETARY INFORMATION

This document contains proprietary information which is forwarded to you in confidence for a specific purpose. It should not be reproduced or transferred to other documents nor disclosed to others nor used for manufacturing or any other purposes without the prior written permission of European Thermodynamics Limited. It must be returned immediately upon request.

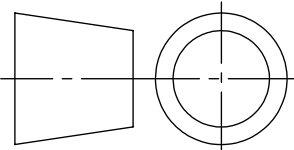
DRAWING SIZE

A4



DRAWN to BS308

3rd. Angle Projection



TOLERANCES

UNLESS OTHERWISE STATED

METRIC : 1.000	+/- 0.01
1.00	+/- 0.1
1.0	+/- 0.2
1	+/- 0.4

IMPERIAL : Fractional	+/- 1/64"
Decimal	+/- 0.005

MATERIAL
Thermal Silicone

FINISH

ANGLES +/- 0.5°

Rev	A	B	C	D
Note				
Date				

DIMENSIONS IN MILLIMETRES UNLESS OTHERWISE STATED
REMOVE ALL BURRS AND SHARP EDGES. DO NOT SCALE DRAWING (CAD Drg.)
ALL MACHINED SURFACES SHOULD HAVE A SURFACE ROUGHNESS BETTER THAN CLA

Scale 2:1

DRAWN BY A.Fulham

DATE 07/03/2014

Ordering No. THINC23-T0220-21.5-11.4-5.8-0.3

t-Global Technology

TITLE

THINC23-T0220-21.5-11.4-5.8-0.3



Drg. No.

REVISION