



Chipsmall Limited consists of a professional team with an average of over 10 year of expertise in the distribution of electronic components. Based in Hongkong, we have already established firm and mutual-benefit business relationships with customers from,Europe,America and south Asia,supplying obsolete and hard-to-find components to meet their specific needs.

With the principle of “Quality Parts,Customers Priority,Honest Operation,and Considerate Service”,our business mainly focus on the distribution of electronic components. Line cards we deal with include Microchip,ALPS,ROHM,Xilinx,Pulse,ON,Everlight and Freescale. Main products comprise IC,Modules,Potentiometer,IC Socket,Relay,Connector.Our parts cover such applications as commercial,industrial, and automotives areas.

We are looking forward to setting up business relationship with you and hope to provide you with the best service and solution. Let us make a better world for our industry!



Contact us

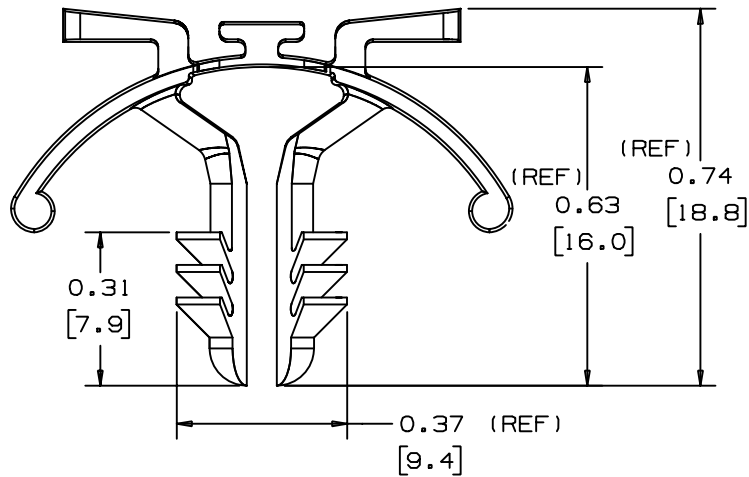
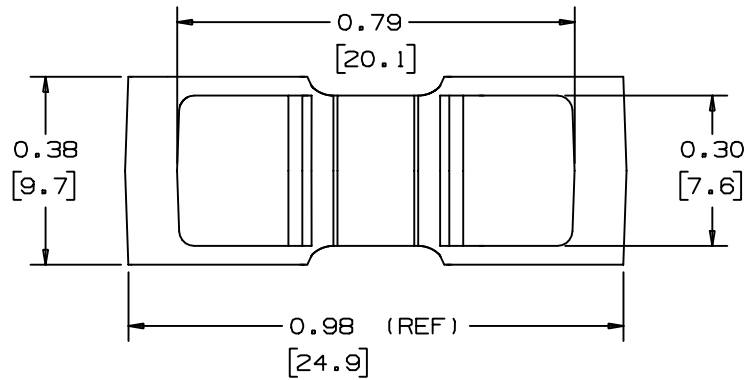
Tel: +86-755-8981 8866 Fax: +86-755-8427 6832

Email & Skype: info@chipsmall.com Web: www.chipsmall.com

Address: A1208, Overseas Decoration Building, #122 Zhenhua RD., Futian, Shenzhen, China



THIS COPY IS PROVIDED ON A RESTRICTED BASIS AND IS NOT TO BE USED IN ANY WAY DETRIMENTAL TO THE INTERESTS OF PANDUIT CORP.



* PANDUIT PART NO.	LBS WEIGHT (g) /100 PCS.	RECOMMENDED HOLE SIZE IN. (mm)	RECOMMENDED PANEL THICKNESS IN. (mm)
THM1SC	0.154 (70)	0.250 ±0.010 (6.5 ±0.25)	0.036 - 0.135 (0.9 - 3.4)

NOTES:

- * 1. SEE PART NUMBER SUFFIX DESIGNATION ON CURRENT PRICE SHEET FOR PACKAGE SIZE , PART COLOR AND PART MATERIAL.

DIMENSIONS IN BRACKETS ARE METRIC [mm]

CAD FILENAME/LAYERS

G00299BA_PB_THM1SC_05



CORP. TINLEY PARK, ILLINOIS

THM1SC
TIE HARNESS MOUNT

UNLESS OTHERWISE SPECIFIED,
DIMENSIONAL TOLERANCES ARE:
(.X) ±0.05 (1.3) (.XXX) ±0.010 (0.25)
(.XX) ±0.02 (0.5) ANGLES ± 5°

UNLESS OTHERWISE SPECIFIED,
ALL DIMENSIONS ARE GIVEN
IN INCHES, THIRD ANGLE PROJECTION.

DRAWN BY JRL

MAT'L:

SCALE 3X

DATE 11-30-92

NYLON 6/6

DRAWING NO.

G00299BA

DWG
A
SIZE

REV	DATE	BY	CHK	DESCRIPTION	ECN	R	CUST	SUP	O.C.
5	6/28/01	LGG		ADDED REF AND UPDATED FOR WEB	G00299BA	5			
4	6/13/00	JAD		DIMENSIONS CHANGE: .74 WAS .75, .63 WAS .64 ADDED REF TO .37 AND .98 DIM'S	G00299BA	4			
3	8-4-99	CGSM		CHANGED DIM FROM .34 TO .37	G00299BA	3			
2	11/4/93	STR		CHANGED DWG. TO MATCH MOLDED PART	G00299BA	2			
1	12/22/92	MJK		ADDED OVERALL HEIGHT DIM. (.73)	G00299BA	1			
R	11/30/92	JRL		INITIAL RELEASE	G00299BA	R			