



Chipsmall Limited consists of a professional team with an average of over 10 year of expertise in the distribution of electronic components. Based in Hongkong, we have already established firm and mutual-benefit business relationships with customers from,Europe,America and south Asia,supplying obsolete and hard-to-find components to meet their specific needs.

With the principle of "Quality Parts,Customers Priority,Honest Operation,and Considerate Service",our business mainly focus on the distribution of electronic components. Line cards we deal with include Microchip,ALPS,ROHM,Xilinx,Pulse,ON,Everlight and Freescale. Main products comprise IC,Modules,Potentiometer,IC Socket,Relay,Connector.Our parts cover such applications as commercial,industrial, and automotives areas.

We are looking forward to setting up business relationship with you and hope to provide you with the best service and solution. Let us make a better world for our industry!



Contact us

Tel: +86-755-8981 8866 Fax: +86-755-8427 6832

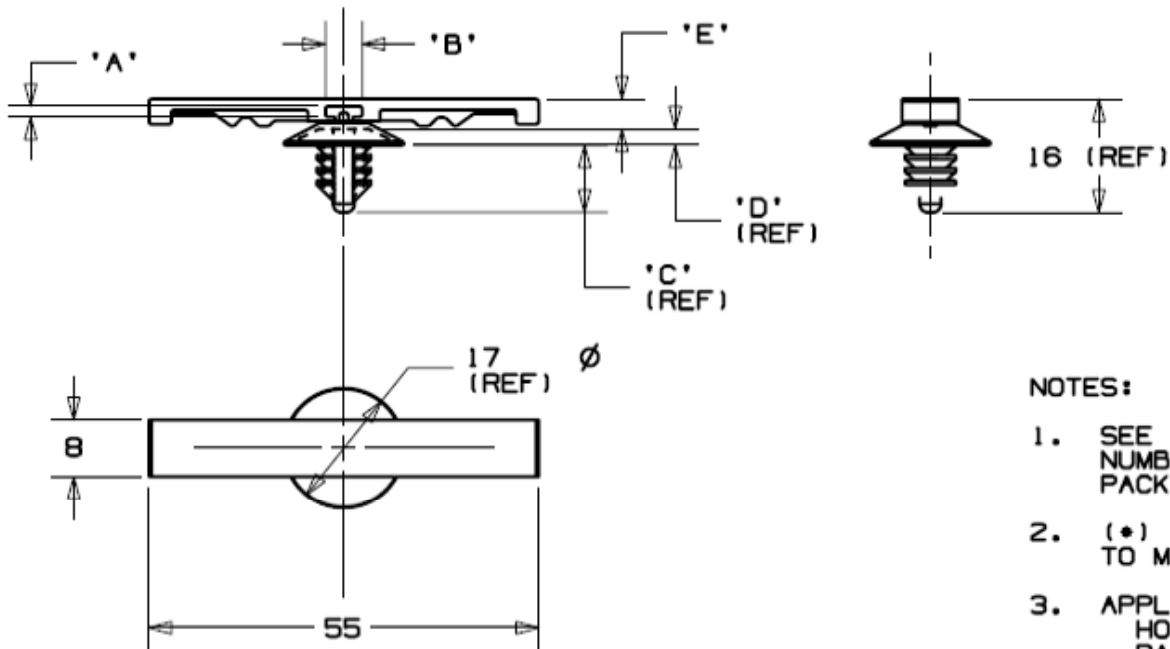
Email & Skype: info@chipsmall.com Web: www.chipsmall.com

Address: A1208, Overseas Decoration Building, #122 Zhenhua RD., Futian, Shenzhen, China



THIS COPY IS PROVIDED ON A RESTRICTED BASIS AND IS NOT TO BE USED IN ANY WAY DETRIMENTAL TO THE INTERESTS OF PANDUIT CORPORATION.

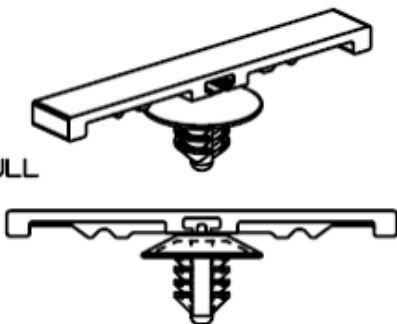
PANDUIT PART NO.	BUNDLE DIA MIN - MAX.	DIMENSIONS					MATERIAL	COLOR	CABLE TIE TYPES	WEIGHT grams 100 pcs
		'A'	'B'	'C'	'D'	'E'				
THMUSC15-...20	0 - 30	1.5	5.2	9.8	2.0	4.2	NYLON 6/6	BLACK	M, I, S	144



NOTES:

1. SEE CURRENT PRICE SHEET FOR PART NUMBER SUFFIX DESIGNATION FOR PACKAGE SIZE, AND COLOR.
2. (*) DIMENSIONAL VARIANCE IS POSSIBLE DUE TO MOLDING PROCESS RELATED SINK MARKS.
3. APPLICATION SPECIFICATION:
 HOLE DIAMETER: 6.3 - 7.1 mm
 PANEL THICKNESS: 0.3 - 6.5 mm

SCALE: FULL



CND FILENAME/LAYERS		G01932BT_PB_THMUSC15_03	
PANDUIT CORP.		TINLEY PARK, ILLINOIS	
CABLE TIE HARNESS MOUNT WITH UMBRELLA			
Unless otherwise specified, all dimensions are metric tolerance; ±0.5mm			
DRWN BY	JAD	MAT'L I	SCALE FULL
DATE	10/29/02	SEE TABLE	DRWGING NO.
CHK'D			GB1932BT
			DRG SIZE A

REV	DATE	BY	CHK	DESCRIPTION	ECN	R	CUST	SUP
3	2/18/04	JAD		UPDAT NOTE 3, CHANGE HOLE DIA, WAS 6.3 to 6.8mm CHANGE PANEL THICKNESS, was .5-6.5mm	GB1932BT	3		