



Chipsmall Limited consists of a professional team with an average of over 10 year of expertise in the distribution of electronic components. Based in Hongkong, we have already established firm and mutual-benefit business relationships with customers from,Europe,America and south Asia,supplying obsolete and hard-to-find components to meet their specific needs.

With the principle of "Quality Parts,Customers Priority,Honest Operation,and Considerate Service",our business mainly focus on the distribution of electronic components. Line cards we deal with include Microchip,ALPS,ROHM,Xilinx,Pulse,ON,Everlight and Freescale. Main products comprise IC,Modules,Potentiometer,IC Socket,Relay,Connector.Our parts cover such applications as commercial,industrial, and automotives areas.

We are looking forward to setting up business relationship with you and hope to provide you with the best service and solution. Let us make a better world for our industry!



Contact us

Tel: +86-755-8981 8866 Fax: +86-755-8427 6832

Email & Skype: info@chipsmall.com Web: www.chipsmall.com

Address: A1208, Overseas Decoration Building, #122 Zhenhua RD., Futian, Shenzhen, China



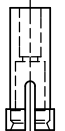
- NOTES
1. ROHS COMPLIANT.
 2. UL94V-2 FLAMMABILITY RATING.
 3. -40°C TO 85°C OPERATING TEMPERATURE.
 4. SUITABLE FOR LIGHT PIPE WITH $\phi 2.2\text{MM}$ JACKET AND OPTICAL CORE NO GREATER THAN $\phi 1.5\text{MM}$.
 5. DO NOT WAVE SOLDER WITH THIS DEVICE.
 6. FOR BEST RESULTS USE ONLY NARROW VIEWING ANGLE NON-DIFFUSED LEDS WITH OUTPUT POWER GREATER THAN 100mcd.

REVISIONS				
ECN #	REV	DESCRIPTION	DATE	INITIALS
176	001	INITIAL RELEASE	8/3/10	KH
200	002	REVISED PER ECR 100610KH01	10/6/10	KH

.06±.02
(1.52mm ±.051)

TRIMMED
FIBER OPTIC
JACKET

3 PRESS FIBER OPTIC IN



1 CLIP ON TO LED

3MM LED

$\phi .114$
(2.896mm)

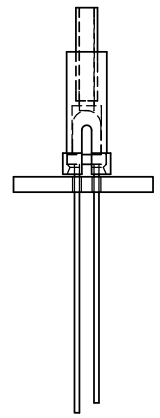
.220
.210
5.588mm
5.334mm

.039
(.991mm)

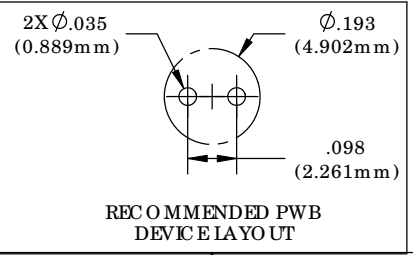
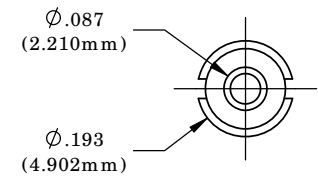
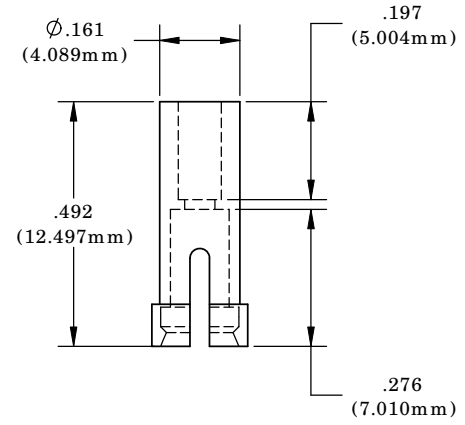
$\phi .157$
(3.988mm)

2 SOLDER IN PLACE

LIGHT PIPE PREPARATION
AND SEQUENCE OF ASSEMBLY



LIGHT PIPE
AS ASSEMBLED



<small>UNLESS OTHERWISE SPECIFIED DIMENSIONS ARE IN INCHES</small> ANGLES DECIMALS $\pm 1/2^\circ$.X $\pm .020$ FINISH .XX $\pm .010$.XXX $\pm .005$ 1.5X BREAK ALL EDGES AND SHARP EDGES 90 DEGREE THIRD ANGLE PROJECTION <small>THE INFORMATION CONTAINED IN THIS DRAWING IS THE SOLE PROPERTY OF VISUAL COMMUNICATIONS COMPANY, INC. AND IS LOANED TO YOU AS A SINGLE REFERENCE TO THE DRAWING. IT IS NOT TO BE REPRODUCED OR TRANSMITTED IN ANY FORM OR BY ANY MEANS, ELECTRONIC OR MECHANICAL, INCLUDING PHOTOCOPYING, RECORDING, OR BY ANY INFORMATION STORAGE AND RETRIEVAL SYSTEM.</small>	MATERIAL	VISUAL COMMUNICATIONS COMPANY, INC.		
	NYLON 6/6 UL 94-V2	190 Bossick Boulevard, Suite 101 San Marcos, CA 92069 USA Phone (760) 560-1300 Fax (760) 560-1301 email vccsales@vccite.com		
	FINISH	SEE NOTES	TITLE: THROUGH-HOLE LED MOUNT	
	APPROVAL	DATE	SIZE	DWG. NO.
DRAWN K.Howard	8/3/10	B	THR 22	002
CHECKED DPZ	8/10/10	SCALE: 4:1		SHEET 1 OF 1
DO NOT SCALE DRAWING				