



Chipsmall Limited consists of a professional team with an average of over 10 year of expertise in the distribution of electronic components. Based in Hongkong, we have already established firm and mutual-benefit business relationships with customers from,Europe,America and south Asia,supplying obsolete and hard-to-find components to meet their specific needs.

With the principle of "Quality Parts,Customers Priority,Honest Operation,and Considerate Service",our business mainly focus on the distribution of electronic components. Line cards we deal with include Microchip,ALPS,ROHM,Xilinx,Pulse,ON,Everlight and Freescale. Main products comprise IC,Modules,Potentiometer,IC Socket,Relay,Connector.Our parts cover such applications as commercial,industrial, and automotives areas.

We are looking forward to setting up business relationship with you and hope to provide you with the best service and solution. Let us make a better world for our industry!



Contact us

Tel: +86-755-8981 8866 Fax: +86-755-8427 6832

Email & Skype: info@chipsmall.com Web: www.chipsmall.com

Address: A1208, Overseas Decoration Building, #122 Zhenhua RD., Futian, Shenzhen, China



SPECIFICATION

- Part No. : **TI.10.0112**
- Product Name : 433MHz ISM Band Terminal Antenna
Omni-directional, with a peak gain of 0dBi
- Features : SMA(M)RA Plug Connector
Low Profile and Robust Handling
44.8mm Antenna Length
IP65
RoHS Compliant
- Picture :



1. Introduction

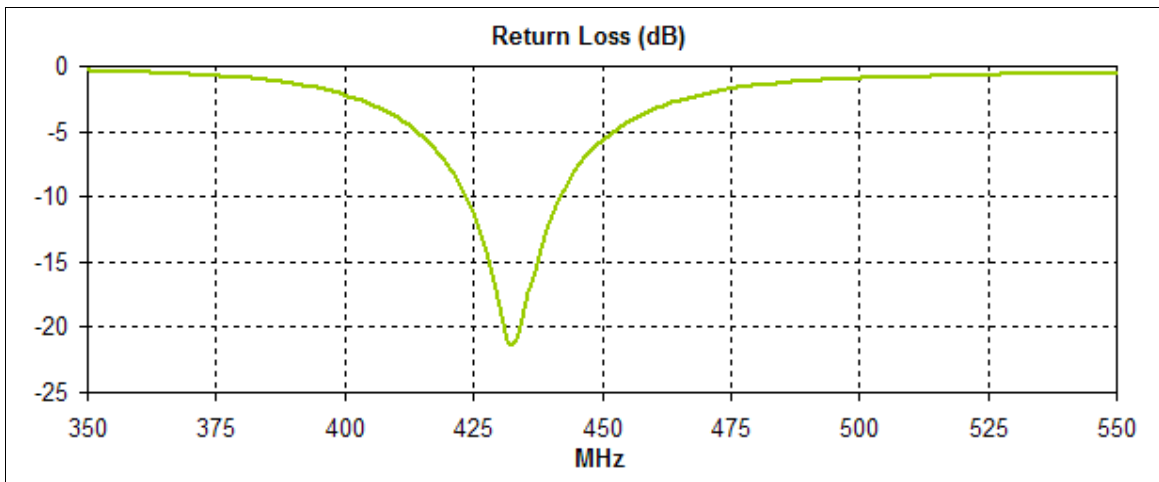
The TI.10 series are high performance 433MHz omni-directional antennas. The TI.10 terminal SMA R/A plug mount antenna is ideal for mobile small form factor applications. At only 44.8mm in length Omni-directional with a peak gain 0dBi ensures constant reception and transmission. The antenna structure is designed for robust handling and the housing is made with TPE giving reliable performance in tough environments.

2. Key Antenna Performance Indicators

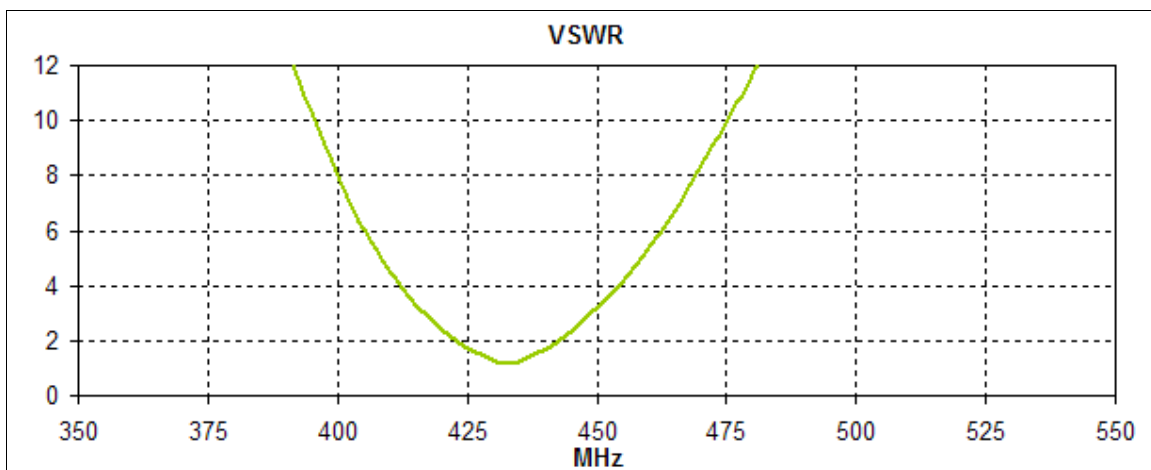
Parameter	Specification
Applications	433MHz ISM Band
Frequency	433.05~434.79MHz
Peak Gain	0dBi
Return Loss	-20dB
Impedance	50 Ohms
Radiation Pattern	Omni-directional
Polarization	Linear
VSWR	≤1.5:1
Power handling	5 W
Housing	TPE
Connector	SMA(M)RA Plug
Operation Temperature	-40°C to + 85°C
Storage Temperature	-40°C to + 105°C
Relative Humidity	40% to 95%
Dimensions	Length: 44.8mm
Weight	8.5g

3. Antenna Parameters

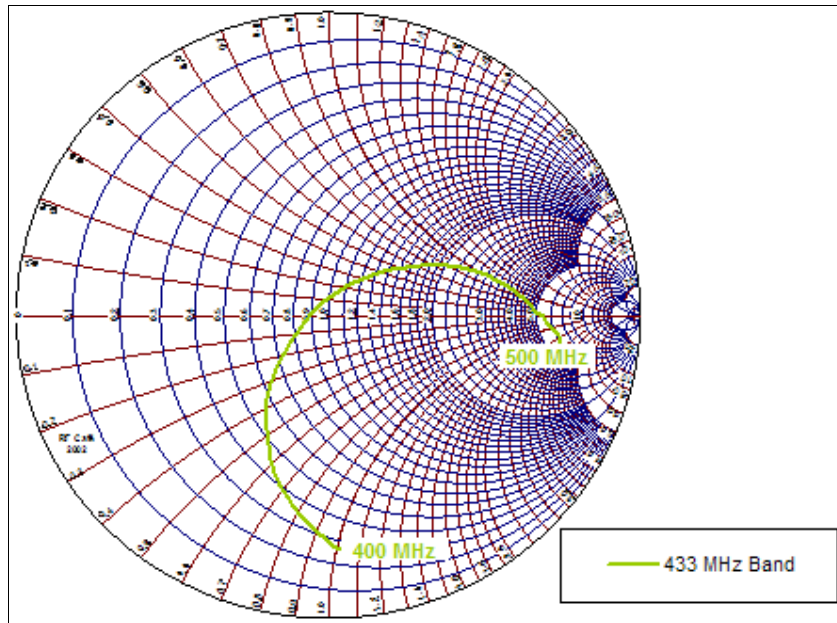
3.1 Return Loss Data



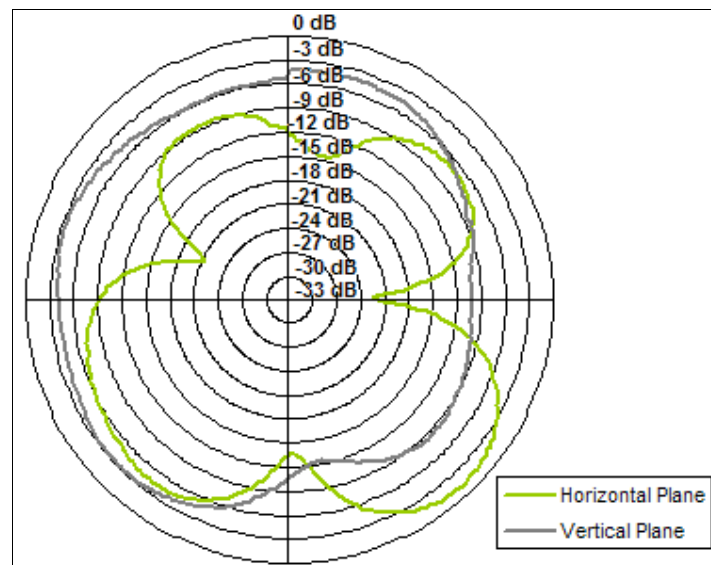
3.2 VSWR Data



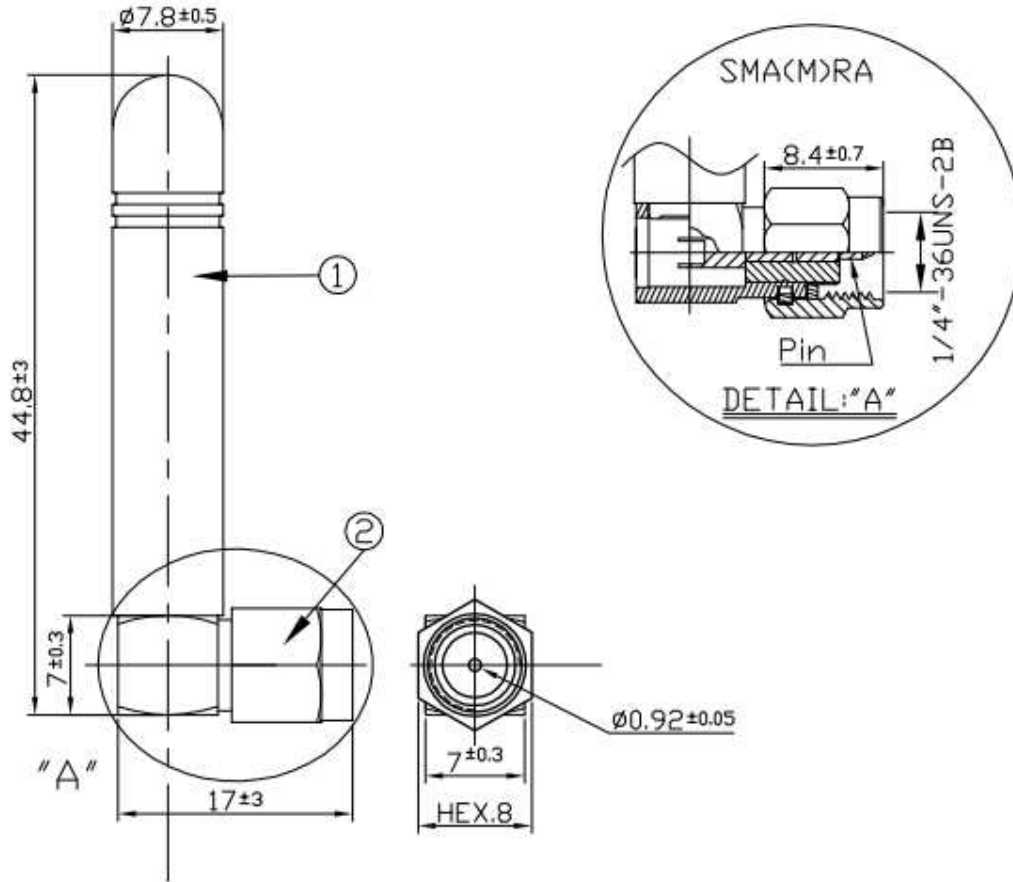
3.3 Smith Chart Data



3.4 Radiation Pattern



4. Mechanical Drawing



	Name	Material	Finish	Quantity
①	Antenna Cover	TPU	Black	1
②	SMA(M)RA	Brass	Gold	1