



Chipsmall Limited consists of a professional team with an average of over 10 year of expertise in the distribution of electronic components. Based in Hongkong, we have already established firm and mutual-benefit business relationships with customers from,Europe,America and south Asia,supplying obsolete and hard-to-find components to meet their specific needs.

With the principle of "Quality Parts,Customers Priority,Honest Operation,and Considerate Service",our business mainly focus on the distribution of electronic components. Line cards we deal with include Microchip,ALPS,ROHM,Xilinx,Pulse,ON,Everlight and Freescale. Main products comprise IC,Modules,Potentiometer,IC Socket,Relay,Connector.Our parts cover such applications as commercial,industrial, and automotives areas.

We are looking forward to setting up business relationship with you and hope to provide you with the best service and solution. Let us make a better world for our industry!



Contact us

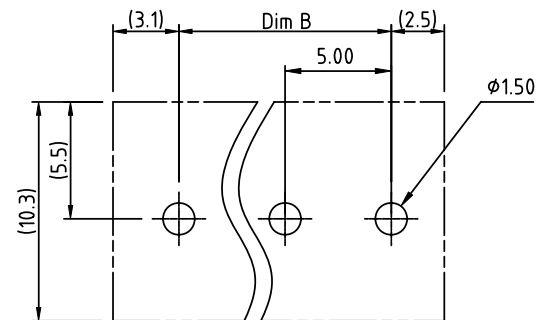
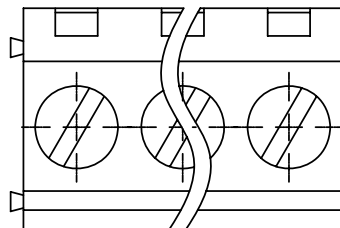
Tel: +86-755-8981 8866 Fax: +86-755-8427 6832

Email & Skype: info@chipsmall.com Web: www.chipsmall.com

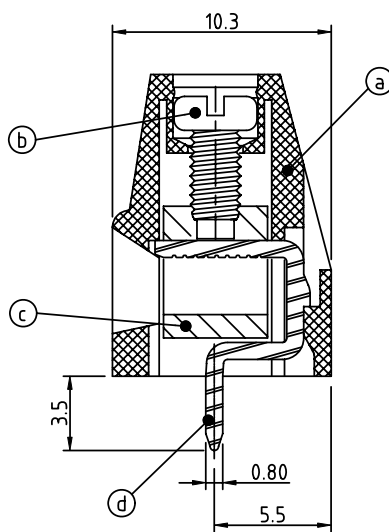
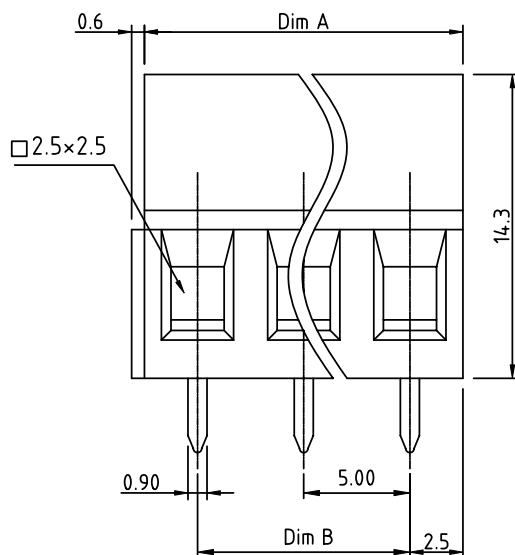
Address: A1208, Overseas Decoration Building, #122 Zhenhua RD., Futian, Shenzhen, China



PRODUCT NUMBER	PITCH
Tlxx01xA00J0G	5.00 mm



RECOMMENDED P.C.B LAYOUT
TOP VIEW



Material

- ltemⒶ Terminal housing: Thermoplastic (UL94V-0)
- ltemⒷ Terminal screw: Steel Zinc plating "-" slot type
- ltemⒸ Clamp: Brass, Ni plated
- ltemⒹ Solder pin: Brass , Tin plated

Electrical cULus

- Voltage rating: 300VAC
- Current rating: 10A
- Wire range:
- Solid wire(AWG): 12-22
- Stranded wire(AWG): 12-22
- Torque(Lb-In): 3.5
- Screw: M2.5
- Wire strip length: 6-7mm
- Withstanding Voltage: 1.6KV
- Operating temperature: -40°C to +115°C
- Soldering temperature: 260°C±5°C/5 Sec
- Safety Approval:

N=NUMBER OF POLES

Dim A=N×5.00
Dim B=(N-1)×5.00

Poles	DimA&B Tolerance
4P-6P	±0.15
7P-12P	±0.20
13P-18P	±0.30
19P-24P	±0.40

PART NO.: TI xx 0 1 x A 00J0 G

Solid block	Color	RoHS compliant
No. of poles	0 Black (RAL9005)	(lead<4%)
04 4 poles	2 Red (RAL3001/D)	In copper Alloy
05 5 poles	3 Orange(RAL2011/P)	
... ..	4 Yellow(RAL1018/A)	
24 24 poles	5 Green(RAL6018/T)	
	6 Blue (RAL5015/A)	
	8 Grey(RAL7035/D)	
	9 White(RAL1102)	
	C Green(RAL6018/U)	

mat'l. code		surface ASME Y14.5	tolerance ASME Y14.5	projection	product family
ltr	ecn no	dr	date		TERMINAL BLOCK
				tolerances unless otherwise specified	title
				angles	TERMINAL BLOCK
				parallelism	RISING CLAMP,SOLID BLOCK,180D WIRE INLET
				X*±1"	scale
				dr	dwg no
				ENGR	sheet 1 of 1 size
				EVIN ZHONG	Tlxx01xA00J0G
				chr	A4
				HANKE FENG	type
				appd	CUSTOMER Drawing
				SHI JUN	
sheet index	revision	A			
	sheet	1			