



Chipsmall Limited consists of a professional team with an average of over 10 year of expertise in the distribution of electronic components. Based in Hongkong, we have already established firm and mutual-benefit business relationships with customers from,Europe,America and south Asia,supplying obsolete and hard-to-find components to meet their specific needs.

With the principle of "Quality Parts,Customers Priority,Honest Operation,and Considerate Service",our business mainly focus on the distribution of electronic components. Line cards we deal with include Microchip,ALPS,ROHM,Xilinx,Pulse,ON,Everlight and Freescale. Main products comprise IC,Modules,Potentiometer,IC Socket,Relay,Connector.Our parts cover such applications as commercial,industrial, and automotives areas.

We are looking forward to setting up business relationship with you and hope to provide you with the best service and solution. Let us make a better world for our industry!



Contact us

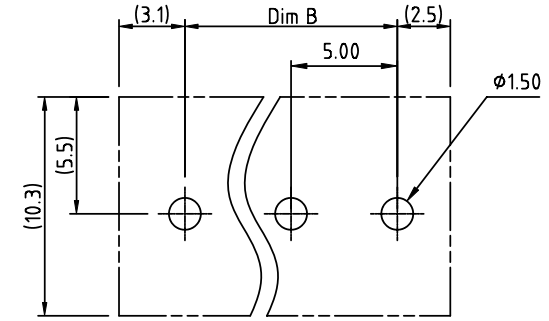
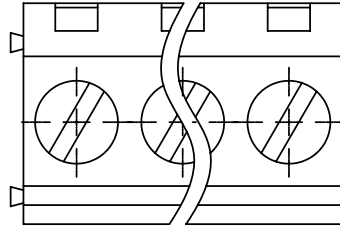
Tel: +86-755-8981 8866 Fax: +86-755-8427 6832

Email & Skype: info@chipsmall.com Web: www.chipsmall.com

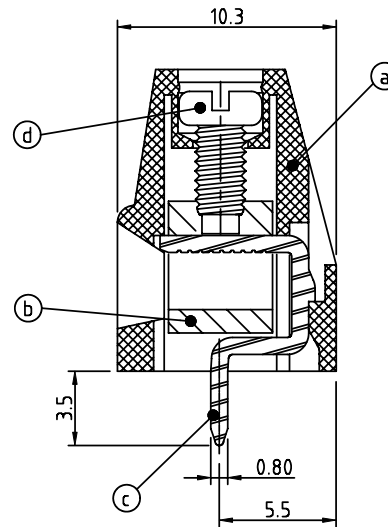
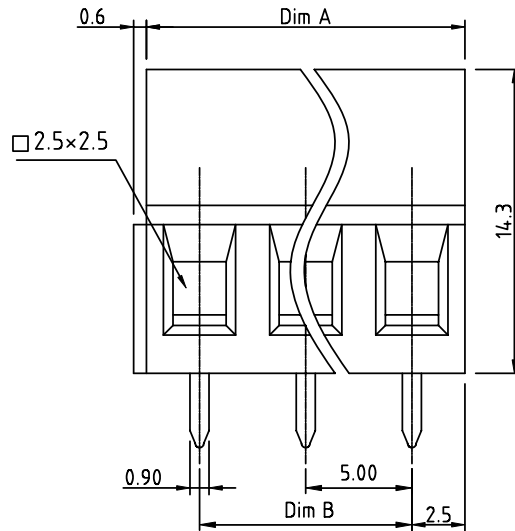
Address: A1208, Overseas Decoration Building, #122 Zhenhua RD., Futian, Shenzhen, China



PRODUCT NUMBER	PITCH
Tlxx01x000J0G	5.00 mm



RECOMMENDED P.C.B LAYOUT
TOP VIEW



Material:

- Item Ⓐ Terminal housing : Thermoplastic (UL94V-0)
- Item Ⓑ Clamp : Brass, Ni plated
- Item Ⓒ Wire guard solder pin : Brass, Tin plated.
- Item Ⓓ Terminal screw: Steel Zinc plating "-" slot type

Electrical:

- | | | | |
|--------------------------|-------------------------|----------|--------------------------|
| | CQC | cULus | VDE |
| ● Voltage rating: | 300V | 300V | 250V |
| ● Current rating: | 24A | 16A | 10A |
| ● Wire range: | 0.2-2.5 mm ² | | 0.34-4.0 mm ² |
| ● Solid wire(AWG): | | 12-22 | |
| ● Stranded wire(AWG): | | 12-22 | |
| ● Torque: | 0.4Nm | 3.5Lb-In | 0.4Nm |
| ● Screw: | | M2.5 | |
| ● Wire strip length: | | 6-7mm | |
| ● Withstanding Voltage: | 2.5KV | 1.6KV | 2KV |
| ● Operating temperature: | -40°C to +115°C | | |
| ● Soldering temperature: | 260°C ±5°C/5 Sec | | |
| ● Safety Approval: | | | |

N=NUMBER OF POLES

Dim A=N×5.00	
Dim B=(N-1)×5.00	
Poles	DimA&B Tolerance
2P-6P	±0.15
7P-12P	±0.20
13P-18P	±0.30
19P-24P	±0.40

PART NO.: TI xx 0 1 x 0 00J0 G

End stackable	0	Black (RAL9005)	RoHS compliant
No. of poles	2	Red (RAL3001/D)	(lead<4%)
02 2 poles	3	Orange(RAL2011/P)	In copper Alloy
03 3 poles	4	Yellow(RAL1018/A)	
...	5	Green(RAL6018/T)	
24 24 poles	6	Blue (RAL5015/A)	
	8	Grey(RAL7035/D)	
	9	White(RAL1102)	
	C	Green(RAL6018/U)	

mat'l. code		surface ASME Y14.5	tolerance ASME Y14.5	projection 	product family TERMINAL BLOCK
ltr	ecn no	dr	date		title
				tolerances unless otherwise specified	TERMINAL BLOCK
				angles $X \pm 0.5$	↑
				$X.X \pm 0.3$	MM
				$X^* \pm 1^*$	scale
				$X.XX \pm 0.1$	↑
		dr	EVIN ZHONG	040814	↑
		enr	EVIN ZHONG	040814	↑
		chr	HANKE FENG	040814	↑
		appd	SHI JUN	040814	↑
sheet index	revision	A			type
	sheet	1			CUSTOMER Drawing