



Chipsmall Limited consists of a professional team with an average of over 10 year of expertise in the distribution of electronic components. Based in Hongkong, we have already established firm and mutual-benefit business relationships with customers from,Europe,America and south Asia,supplying obsolete and hard-to-find components to meet their specific needs.

With the principle of “Quality Parts,Customers Priority,Honest Operation,and Considerate Service”,our business mainly focus on the distribution of electronic components. Line cards we deal with include Microchip,ALPS,ROHM,Xilinx,Pulse,ON,Everlight and Freescale. Main products comprise IC,Modules,Potentiometer,IC Socket,Relay,Connector.Our parts cover such applications as commercial,industrial, and automotives areas.

We are looking forward to setting up business relationship with you and hope to provide you with the best service and solution. Let us make a better world for our industry!



## Contact us

Tel: +86-755-8981 8866 Fax: +86-755-8427 6832

Email & Skype: info@chipsmall.com Web: www.chipsmall.com

Address: A1208, Overseas Decoration Building, #122 Zhenhua RD., Futian, Shenzhen, China



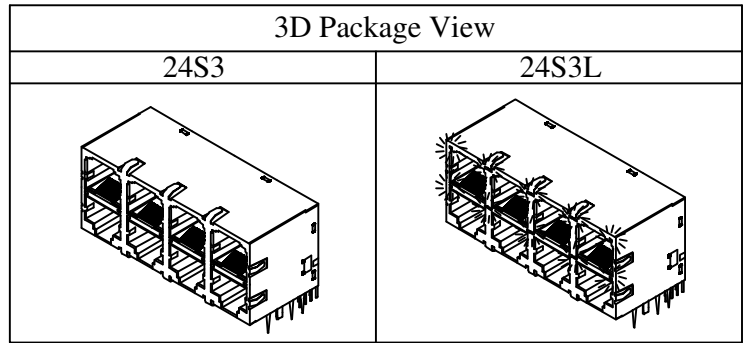


# RJ45 Integrated Connector

10/100 Base-TX, 2 x 4 Port, Through Hole, with & without LED's

### Features:

1. Meets IEEE 802.3 and ANSI X3.263
2. Operating Temperature: 0°C to +85 °C
3. 1500Vrms Isolation
4. Enhanced Common Mode Attenuation for maximum EMI Suppression
5. Full Product Qualification Tests



Product Selection													
#	P/N	Row X Port	Package Style	Schematic Identification									
				Auto Xfmr	Input Pins-out		Output Pins-out		RTN	Turn Ratio TX Only	SCH #	LED	
					Or	Gr							
1	TIC-L020-24	2x4	24S3L	X	7,6,8	3,5,4	3,7,8,6	1,4,5,2	Shd	1ct:1ct	13L	2,1 9,10	10,9 1,2
2	TIC-L021-24	2x4	24S3	X	7,6,8	1,3,2	3,7,8,6	1,4,5,2	Shd	1ct:1ct	3		
3	TIC-L022-24	2x4	24S3	X	3,7,6	1,4,2	3,7,8,6	1,4,5,2	Shd	1ct:1ct	14	No	No
4	TIC-L023-24	2x4	24S3		1,4,2	3,7,6	1,4,5,2	3,7,8,6	Shd	1ct:1ct	15	No	No
5	TIC-L024-24	2x4	24S3		3,7,6	1,4,2	3,7,8,6	1,4,5,2	Shd	1.25ct:1ct	16	No	No

Package Identification				
Package #	Package Style	Size LWH		Package Identification
		inches	mm	
24S3	2 x 4 Port	2.330 x 1.118 x 0.981	59.18 x 28.40 x 24.93	10 Spring taps, Double stack, 8 pins each, no LED Shield Mounting GND tap - Plastic Mounting tap
24S3L	2 x 4 Port	2.330 x 1.118 x 0.981	59.18 x 28.40 x 24.93	10 Spring taps, Double stack, 10 pins each, LED's Shield Mounting GND tap - Plastic Mounting tap

Electrical Specification @ 25 °C								
Insertion Loss (dB Max)	Return Loss (dB Min)			CMRR (dB Min)	Crosstalk (dB Min)	OCL (m H Min)	Hipot (Vrms)	Impedance (Ω)
	1-100 MHz	1-30 MHz	60 MHz					
1	-18	-16	-12	-35	-35	8mA Dc Bias 350	1 minute 1500	100

Package Information			
Weight		Quantity	
weight / pcs (g)	weight / carton (kg)	quantity / tray (pcs)	quantity / carton (pcs)
46.8	5.2	20	80

Product Qualification Tests	
Test #	Test Description
1	Product Performance : Complete Electrical Test, Mechanical Measurements and Visual Inspection
2	Low Level Contact Resistance
3	Dielectric Strength
4	Insulation Resistance
5	Vibration
6	Mechanical Shock
7	Durability (Repeated mating / unmating)
8	Solderability
9	Thermal Shock
10	Humidity Temperature Cycling

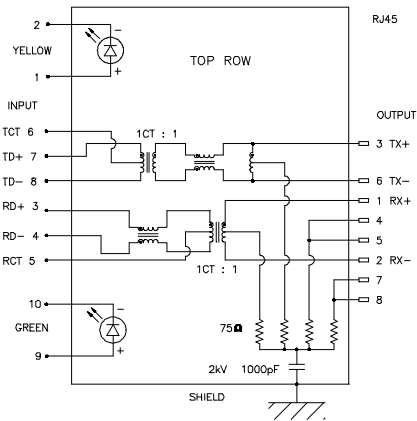


# RJ45 Integrated Connector

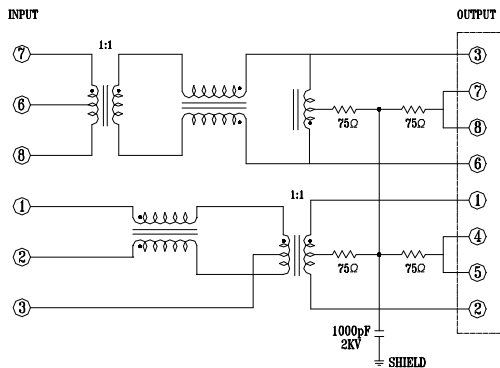
10/100 Base-TX, 2 x 4 Port, Through Hole, with & without LED's

Mechanical Material Specification									
Contact Material	Contact						Housing & Insert	Shell	
	Contact Finish							Front	Back
	Upper Contact			Lower Contact					
	Contact Area	Solder Tail Area	Under-plating	Contact Area	Solder Tail Area	Under-plating			
Phosphor Bronze	Gold	Tin/Lead (9:1)	Nickel	Gold	Tin/Lead (9:1)	Nickel	Thermoplastic Nylon 6T, Black	Stainless SUS 304	Stainless SUS 304
0.35 mm thick	30 μ" Min.	100 μ" Min.	50 μ" Min.	100 μ" Min.	100 μ" Min.	50 μ" Min.	UL 94V-0	0.25 mm thick	0.20 mm thick

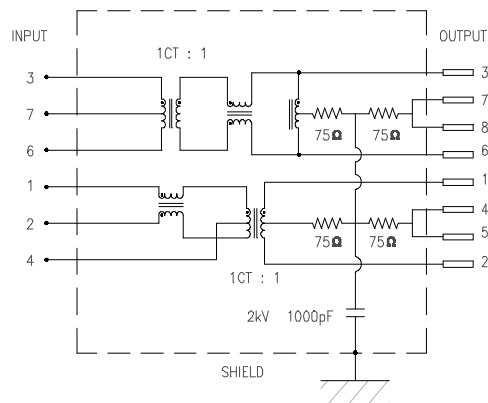
SCHEMATIC 13L



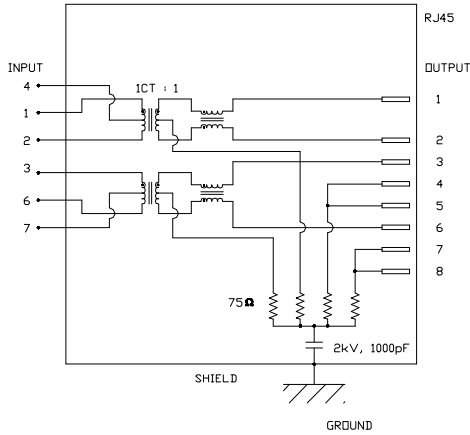
SCHEMATIC 3



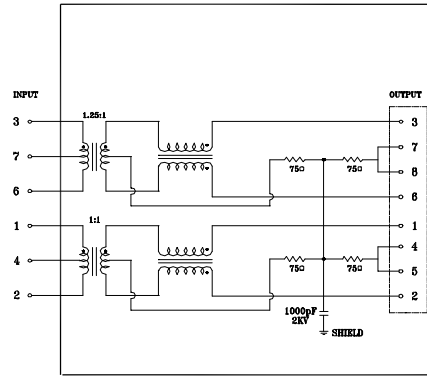
SCHEMATIC 14



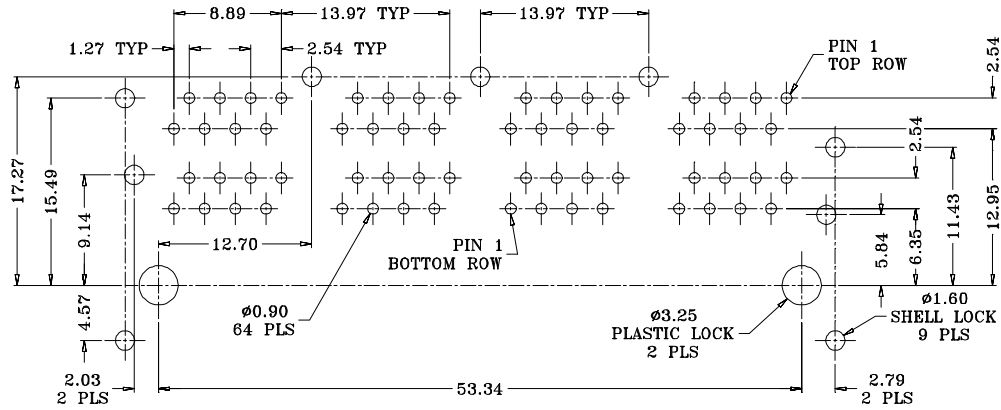
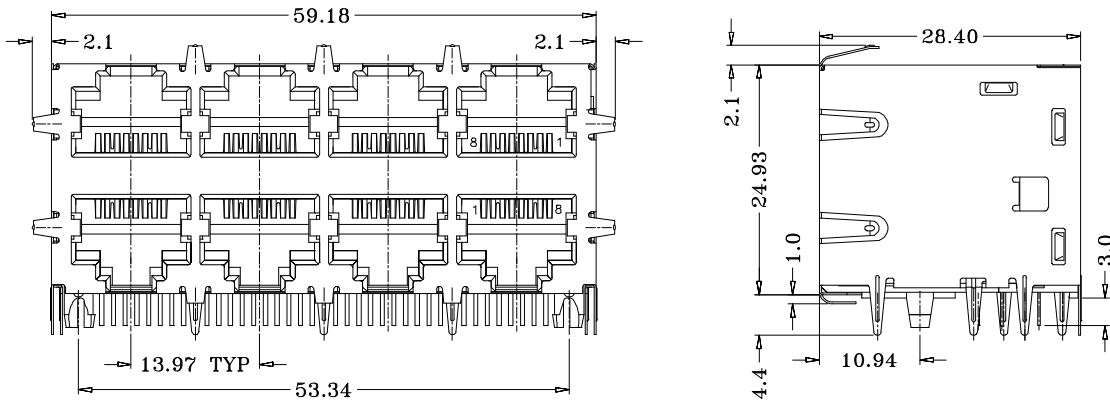
SCHEMATIC 15



SCHEMATIC 16



PACKAGE 24S3



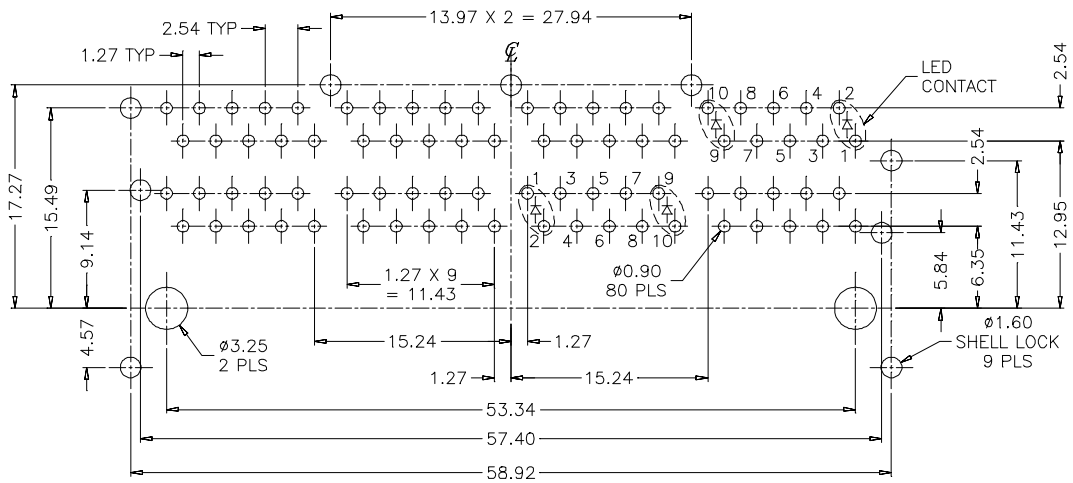
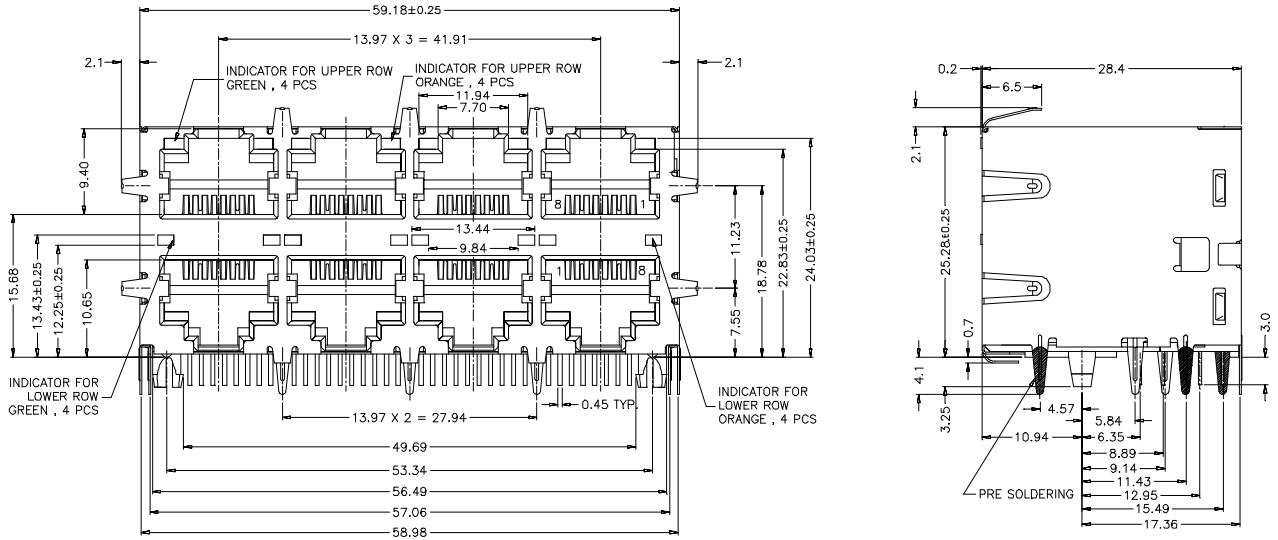
RECOMMENDED PCB LAYOUT  
(COMPONENTS SIDE)



# RJ45 Integrated Connector

10/100 Base-TX, 2 x 4 Port, Through Hole, with & without LED's

PACKAGE 24S3L



RECOMMENDED PCB LAYOUT COMPONENT SIDE  
ALL DIMENSION TOLERANCE ARE ±0.05 UNLESS OTHERWISE SPECIFIED