



Chipsmall Limited consists of a professional team with an average of over 10 year of expertise in the distribution of electronic components. Based in Hongkong, we have already established firm and mutual-benefit business relationships with customers from,Europe,America and south Asia,supplying obsolete and hard-to-find components to meet their specific needs.

With the principle of “Quality Parts,Customers Priority,Honest Operation,and Considerate Service”,our business mainly focus on the distribution of electronic components. Line cards we deal with include Microchip,ALPS,ROHM,Xilinx,Pulse,ON,Everlight and Freescale. Main products comprise IC,Modules,Potentiometer,IC Socket,Relay,Connector.Our parts cover such applications as commercial,industrial, and automotives areas.

We are looking forward to setting up business relationship with you and hope to provide you with the best service and solution. Let us make a better world for our industry!



Contact us

Tel: +86-755-8981 8866 Fax: +86-755-8427 6832

Email & Skype: info@chipsmall.com Web: www.chipsmall.com

Address: A1208, Overseas Decoration Building, #122 Zhenhua RD., Futian, Shenzhen, China



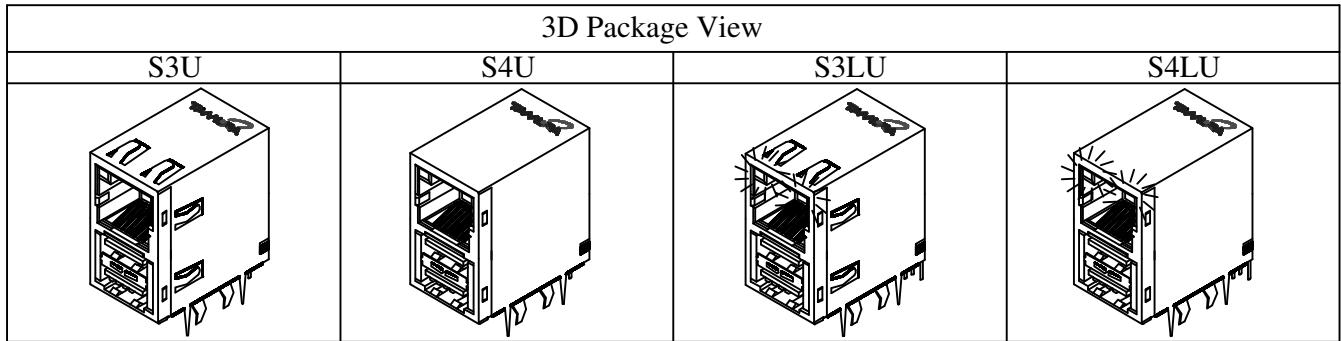
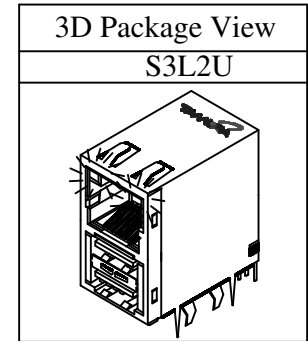


RJ45 Integrated Connector, USB Stack

10/100 Base-TX, Single Port, Through Hole, With or Without LED

Features:

1. Meets IEEE 802.3 and ANSI X3.263
2. Operating Temperature: 0°C to +85°C
3. 1500Vrms Isolation
4. Enhanced Common Mode Attenuation for maximum EMI Suppression
5. Full Product Qualification Tests



Product Selection

#	P/N	Row X Port	Pack age Style	Schematic Identification									
				Auto Xfmr	Input Pins -out		Output Pins -out		RTN	Turn Ratio	SCH #	LED Yellow	LED Green and/or Orange
1**	TIC-L025-11	1x1	S3LU	X	2,1,3	4,6,5	1,4,5,2	3,7,8,6	Shd	1ct:1ct	9L	7,8	9,10*
2**	TIC-L026-11	1x1	S3LU	X	2,1,3	4,6,5	1,4,5,2	3,7,8,6	Shd	1ct:1ct	9L	7,8	9,10*
3	TIC-L027-11	1x1	S3LU	X	2,1,3	4,6,5	1,4,5,2	3,7,8,6	Shd	1ct:1ct	9L1	7,8***	9,10
4	TIC-L028-11	1x1	S4LU	X	2,1,3	4,6,5	1,4,5,2	3,7,8,6	Shd	1ct:1ct	9L	7,8	9,10*
5	TIC-L029-11	1x1	S3L2U	X	2,1,3	4,6,5	1,4,5,2	3,7,8,6	Shd	1ct:1ct	9L1	7,8***	9,10
6	TIC-L030-11	1x1	S3U	X	2,1,3	4,6,5	1,4,5,2	3,7,8,6	Shd	1ct:1ct	10	No	No
7	TIC-L031-11	1x1	S4U	X	2,1,3	4,6,5	1,4,5,2	3,7,8,6	Shd	1ct:1ct	10	No	No

* Bi-directional LED's, green and orange. The single LED is green.

**The difference between these parts is breakdown voltage capacitor. 2KV for TIC-L025-11

***LED on pins 7-8 is orange, on pins 9-10 is green. 3KV for TIC-L026-11

Package Identification

Package #	Package Style	Size LWH		Package Identification
		inches	mm	
S3U	Single Port	1.005 x 0.662 x 1.138	25.53 x 16.81 x 28.91	6 Spring taps, 3 Pin-Rows, No LED Shield Mounting GND tap - USB Shell tap
S4U	Single Port	1.005 x 0.662 x 1.138	25.53 x 16.81 x 28.91	No Spring taps, 3 Pin-Rows, No LED Shield Mounting GND tap - USB Shell tap
S3L2U	Single Port	1.005 x 0.662 x 1.138	25.53 x 16.81 x 28.91	2 Spring taps, 4 Pin-Rows, LED's Shield Mounting GND tap - USB Shell tap
S3LU	Single Port	1.005 x 0.662 x 1.138	25.53 x 16.81 x 28.91	6 Spring taps, 4 Pin-Rows, LED's Shield Mounting GND tap - USB Shell tap
S4LU	Single Port	1.005 x 0.662 x 1.138	25.53 x 16.81 x 28.91	No Spring taps, 4 Pin-Rows, LED's Shield Mounting GND tap - USB Shell tap



RJ45 Integrated Connector, USB Stack

10/100 Base-TX, Single Port, Through Hole, With or Without LED

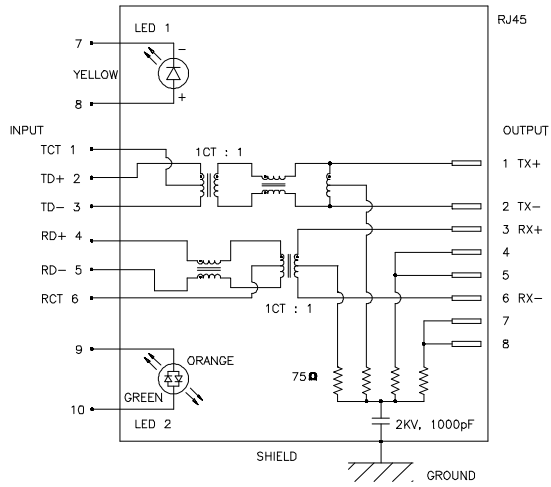
Package Information			
Weight		Quantity	
weight / pcs (g)	weight / carton (kg)	quantity / tray (pcs)	quantity / carton (pcs)
17.2	4.9	50	200

Electrical Specification @ 25 °C								
Insertion Loss (dB Max)	Return Loss (dB Min)			CMRR (dB Min)	Crosstalk (dB Min)	OCL (m H Min)	Hipot (Vrms)	Impedance (Ω)
1-100 MHz 1	1-30 MHz -18	60 MHz -16	80 MHz -12	1-100 MHz -35	1-100 MHz -35	8mA Dc Bias 350	1 minute 1500	100

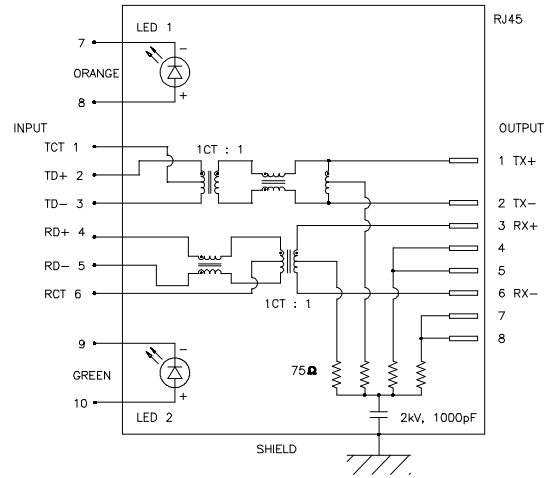
Mechanical Material Specification									
Contact Material	Contact						Housing & Insert	Shell	
	Contact Finish							Front	Back
	Upper Contact			Lower Contact					
	Contact Area	Solder Tail Area	Under-plating	Contact Area	Solder Tail Area	Under-plating			
Phosphor Bronze	Gold	Tin/Lead (9:1)	Nickel	Gold	Tin/Lead (9:1)	Nickel	Thermo-plastic Nylon 6T, Black	Stainless SUS 304	Stainless SUS 304
0.35 mm thick	30 μ" Min.	100 μ" Min.	50 μ" Min.	100 μ" Min.	100 μ" Min.	50 μ" Min.	UL 94V-0	0.25 mm thick	0.20 mm thick

Product Qualification Tests	
Test #	Test Description
1	Product Performance : Complete Electrical Test, Mechanical Measurements and Visual Inspection
2	Low Level Contact Resistance
3	Dielectric Strength
4	Insulation Resistance
5	Vibration
6	Mechanical Shock
7	Durability (Repeated mating / unmating)
8	Solderability
9	Thermal Shock
10	Humidity Temperature Cycling

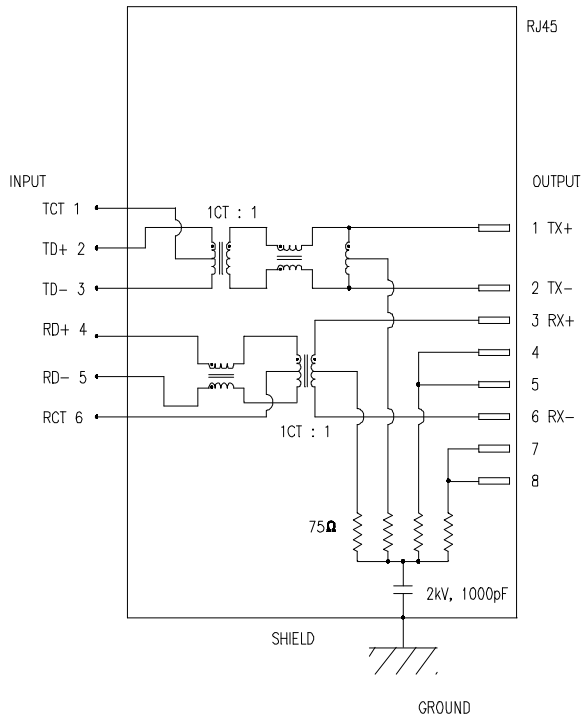
Schematic 9L



Schematic 9L1



Schematic 10



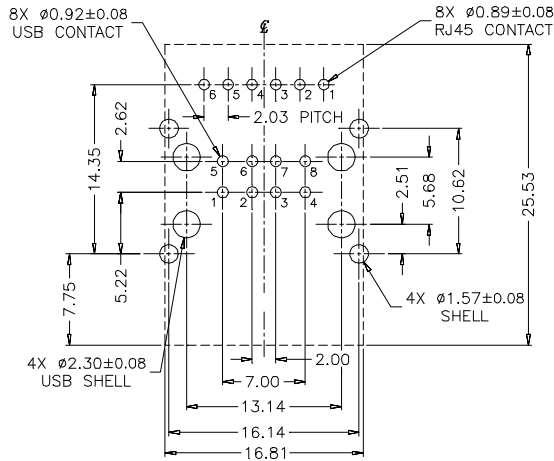
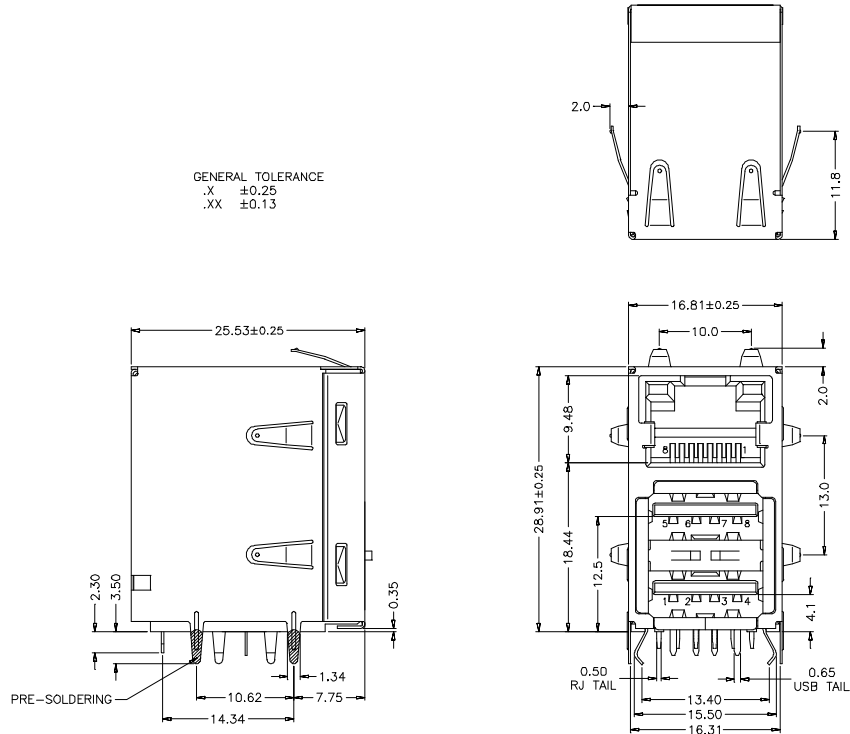


RJ45 Integrated Connector, USB Stack

10/100 Base-TX, Single Port, Through Hole, With or Without LED

Package S3U

GENERAL TOLERANCE
 .X ±0.25
 .XX ±0.13



RECOMMENDED PCB LAYOUT
 COMPONENT SIDE
 PCB THICKNESS : 1.60mm
 ALL DIMENSION TOLERANCE ARE ±0.05
 UNLESS OTHERWISE SPECIFIED



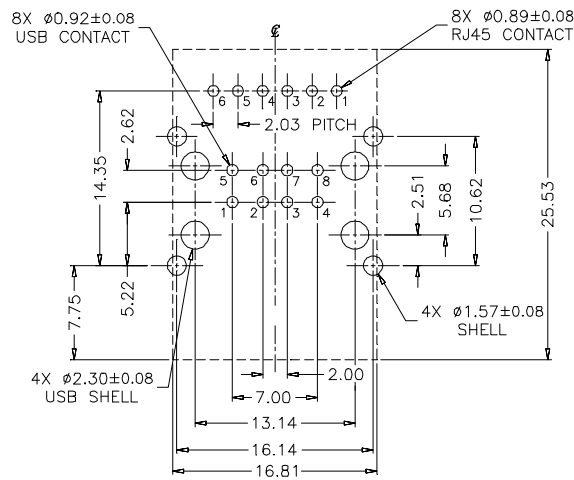
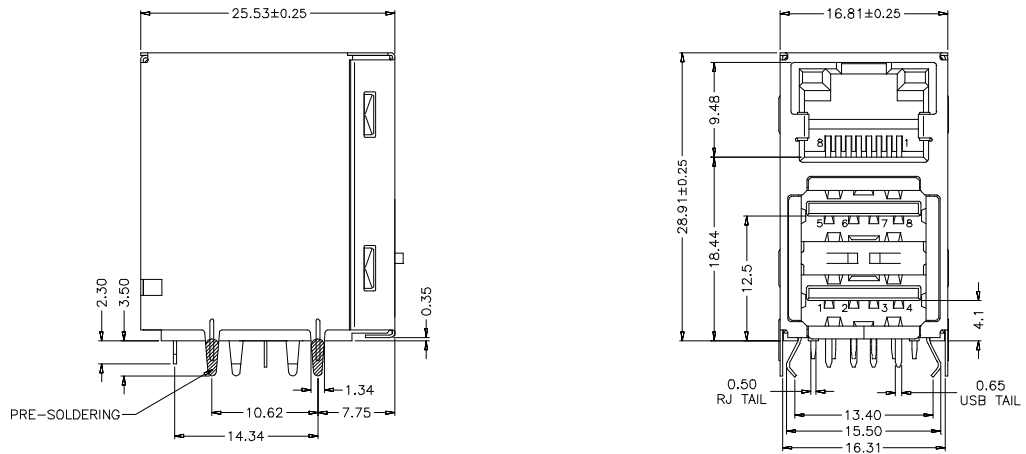
RJ45 Integrated Connector, USB Stack

10/100 Base-TX, Single Port, Through Hole, With or Without LED

Package S4U

GENERAL TOLERANCE

.XX ±0.13
.X ±0.25

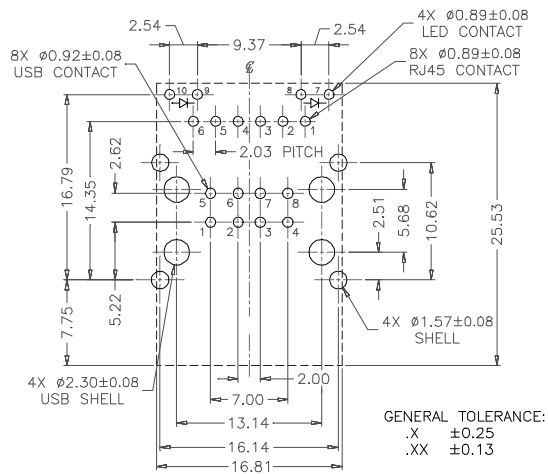
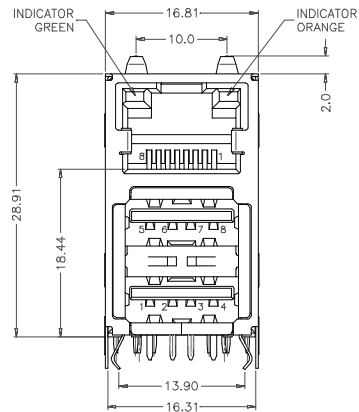
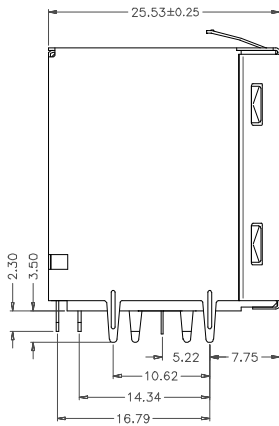
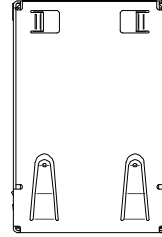


RECOMMENDED PCB LAYOUT
COMPONENT SIDE
PCB THICKNESS : 1.60mm
ALL DIMENSION TOLERANCE ARE ±0.05
UNLESS OTHERWISE SPECIFIED

Package S3L2U

GENERAL TOLERANCE

.X ±0.38
.XX ±0.25



RECOMMENDED PCB LAYOUT
COMPONENT SIDE
PCB THICKNESS : 1.60mm
ALL DIMENSION TOLERANCE ARE ±0.05
UNLESS OTHERWISE SPECIFIED

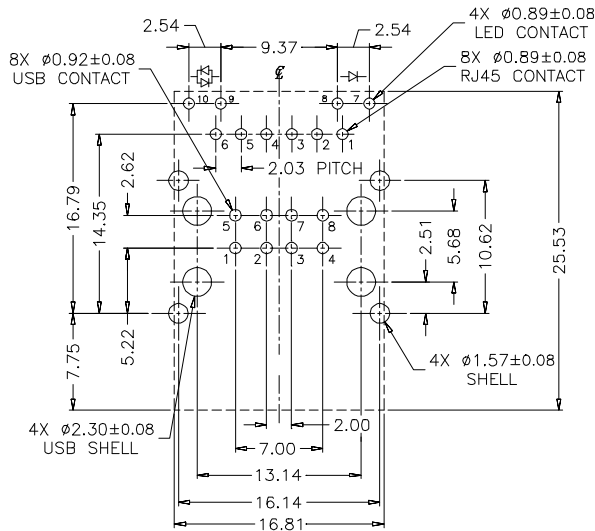
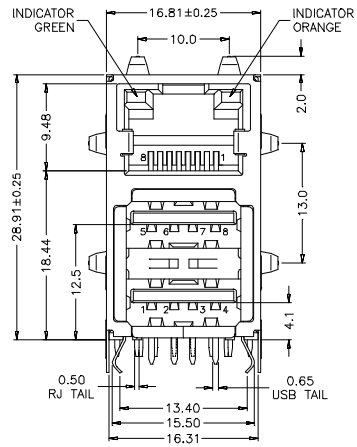
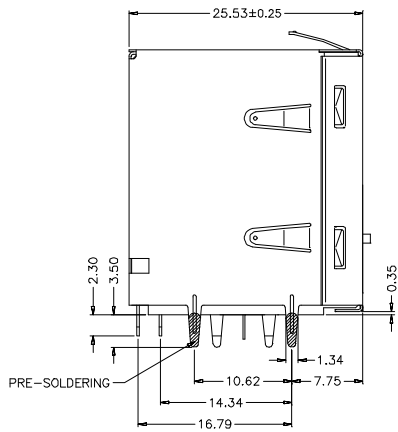
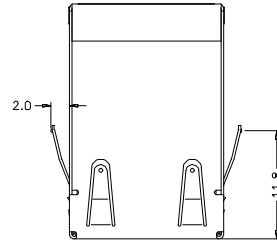


RJ45 Integrated Connector, USB Stack

10/100 Base-TX, Single Port, Through Hole, With or Without LED

Package S3LU

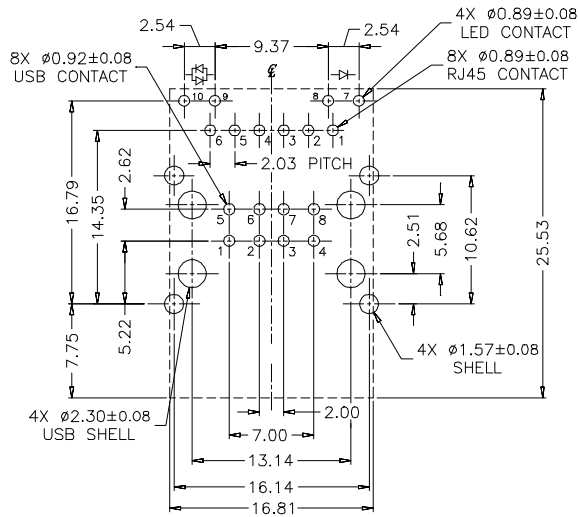
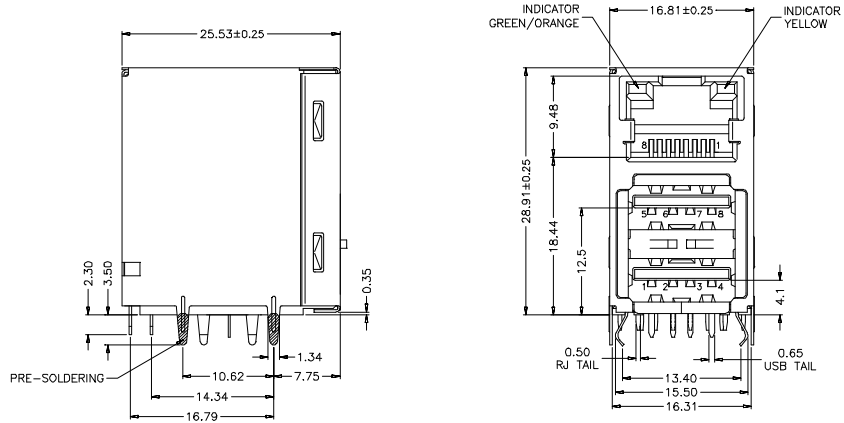
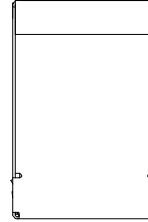
GENERAL TOLERANCE
 .XX ±0.13
 .X ±0.25



RECOMMENDED PCB LAYOUT
 COMPONENT SIDE
 PCB THICKNESS : 1.60mm
 ALL DIMENSION TOLERANCE ARE ±0.05
 UNLESS OTHERWISE SPECIFIED

Package S4LU

GENERAL TOLERANCE
 .XX ±0.13
 .X ±0.25



RECOMMENDED PCB LAYOUT
 COMPONENT SIDE
 PCB THICKNESS : 1.60mm
 ALL DIMENSION TOLERANCE ARE ±0.05
 UNLESS OTHERWISE SPECIFIED