



Chipsmall Limited consists of a professional team with an average of over 10 year of expertise in the distribution of electronic components. Based in Hongkong, we have already established firm and mutual-benefit business relationships with customers from,Europe,America and south Asia,supplying obsolete and hard-to-find components to meet their specific needs.

With the principle of “Quality Parts,Customers Priority,Honest Operation,and Considerate Service”,our business mainly focus on the distribution of electronic components. Line cards we deal with include Microchip,ALPS,ROHM,Xilinx,Pulse,ON,Everlight and Freescale. Main products comprise IC,Modules,Potentiometer,IC Socket,Relay,Connector.Our parts cover such applications as commercial,industrial, and automotives areas.

We are looking forward to setting up business relationship with you and hope to provide you with the best service and solution. Let us make a better world for our industry!



Contact us

Tel: +86-755-8981 8866 Fax: +86-755-8427 6832

Email & Skype: info@chipsmall.com Web: www.chipsmall.com

Address: A1208, Overseas Decoration Building, #122 Zhenhua RD., Futian, Shenzhen, China



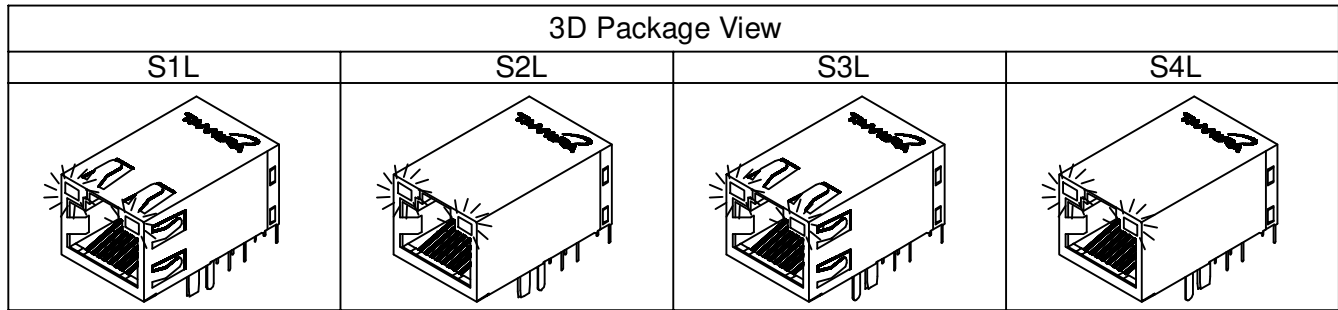
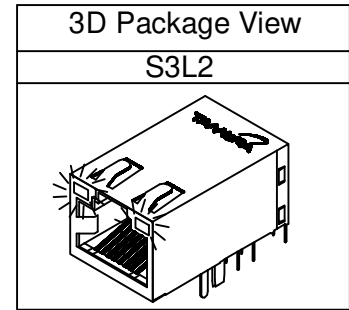


RJ45 Integrated Connector

10/100 Base-TX, Single Port, Through Hole, with LED

Features:

1. Meets IEEE 802.3 and ANSI X3.263
2. Operating Temperature: 0°C to +85°C
3. 1500Vrms Isolation
4. Enhanced Common Mode Attenuation for maximum EMI Suppression
5. Full Product Qualification Tests



Product Selection													
#	P/N	Row X Port	Package Style	Schematic Identification									
				Auto Xfmr	Input Pins-out		Output Pins-out		RTN	Turn Ratio TX Only	SCH #	LED Yellow	LED Green and/or Orange
1	TIC-L033-11	1x1	S3L	X	2,1,3	4,6,5	1,4,5,2	3,7,8,6	Shd	1ct:1ct	9L	7,8	9,10*
2	TIC-L034-11	1x1	S4L	X	2,1,3	4,6,5	1,4,5,2	3,7,8,6	Shd	1ct:1ct	9L	7,8	9,10*
3	TIC-L035-11	1x1	S3L2	X	2,1,3	4,6,5	1,4,5,2	3,7,8,6	Shd	1ct:1ct	9L	7,8	9,10*
4	TIC-L036-11	1x1	S2L	X	1,3,2	7,6,8	1,4,5,2	3,7,8,6	4,5	1ct:1ct	6L	10,9	11,12*
5	TIC-L037-11	1x1	S2L	X	1,3,2	7,6,8	1,4,5,2	3,7,8,6	4,5, Shd	1ct:1ct	6L1	9,10	11,12*
6	TIC-L040-11	1x1	S2L	X	1,3,2	7,6,8	1,4,5,2	3,7,8,6	4,5,	1ct:1ct	6L3	11,12	10,9
7	TIC-L038-11	1x1	S1L	X	1,3,2	7,6,8	1,4,5,2	3,7,8,6	4,5	1ct:1ct	6L3	11,12	9,10
8	TIC-L039-11	1x1	S1L	X	1,3,2	7,6,8	1,4,5,2	3,7,8,6	4,5, Shd	1ct:1ct	6L4	11,12	9,10

RCV turn ratio is 1ct:1ct

* Bi-directional LEDs, green and orange. Single LED is green.

Package Identification				
Package #	Package Style	Size LWH		Package Identification
		inches	mm	
S1L	Single Port	1.005 x 0.661 x 0.531	25.53 x 16.80 x 13.50	6 Spring taps, 3 Pin -Rows Plastic Mounting tap - Shield Mounting GND tap
S2L	Single Port	1.005 x 0.661 x 0.531	25.53 x 16.80 x 13.50	No Spring taps, 3 Pin -Rows Plastic Mounting tap - Shield Mounting GND tap
S3L2	Single Port	1.005 x 0.661 x 0.531	25.53 x 16.80 x 13.50	2 Spring taps, 2 Pin -Rows Shield Mounting GND tap - Plastic Mounting tap
S3L	Single Port	1.005 x 0.661 x 0.531	25.53 x 16.80 x 13.50	6 Spring taps, 2 Pin -Rows Shield Mounting GND tap - Plastic Mounting tap
S4L	Single Port	1.005 x 0.661 x 0.531	25.53 x 16.80 x 13.50	No Spring taps, 2 Pin -Rows Shield Mounting GND tap - Plastic Mounting tap



RJ45 Integrated Connector

10/100 Base-TX, Single Port, Through Hole, with LED

Package Information							
Quantity			Weight			Size	
qty/tray (pcs)	qty/box (pcs)	qty/carton (pcs)	weight/pcs (g)	weight/box (kg)	weight/carton (kg)	box size (cm)	carton size (cm)
50	250	1000	7.2	3.3	14.2	37.5x25.0x20.5	53.5x40.0x44.5

Electrical Specification @ 25 °C								
Insertion Loss (dB Max)	Return Loss (dB Min)			CMRR (dB Min)	Crosstalk (dB Min)	OCL (μ H Min)	Hipot (Vrms)	Impedance (Ω)
1-100 MHz	1-30 MHz	60 MHz	80 MHz	1-100 MHz	1-100 MHz	8mA Dc Bias	1 minute	
1	-18	-16	-12	-30	-35	350	1500	100

Mechanical Material Specification									
Contact							Plastic Part		Shell
RJ Contact				RJ Joint Contact and LED Contact			RJ Housing	Set Housing & Insert	Stainless SUS 304-1/2H
Contact Material	Contact Area	Solder Tail Area	Under- plating	Contact Material	Solder Tail Area	Under- plating			
Phosphor Bronze	Gold	Tin/Lead (9:1)	Nickel	Brass	Tin/Lead (9:1)	Nickel	Thermoplastic PC Transparent	Thermoplastic PA6T, Black	
0.35 mm thick	30 μ " Min.	100 μ " Min.	50 μ " Min.	0.35 mm thick	100 μ " Min.	50 μ " Min.	UL 94V-0 E45587 General Electric Grade: 940A	UL 94V-0 E52579(M) Mitsui P.I. Grade: CH230N	0.20 mm thick

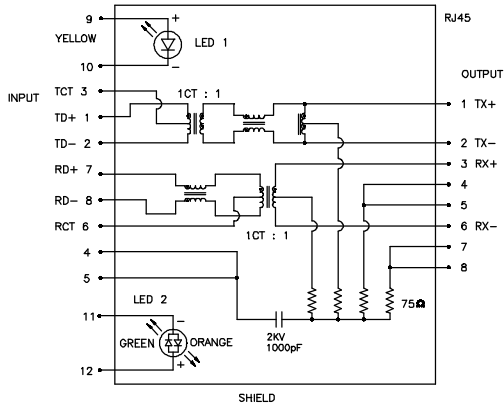
Product Qualification Tests	
Test #	Test Description
1	Product Performance: Complete Electrical Test, Mechanical Measurements and Visual Inspection
2	Low Level Contact Resistance
3	Dielectric Strength
4	Insulation Resistance
5	Vibration
6	Mechanical Shock
7	Durability (Repeated mating / unmating)
8	Solderability
9	Thermal Shock
10	Humidity Temperature Cycling



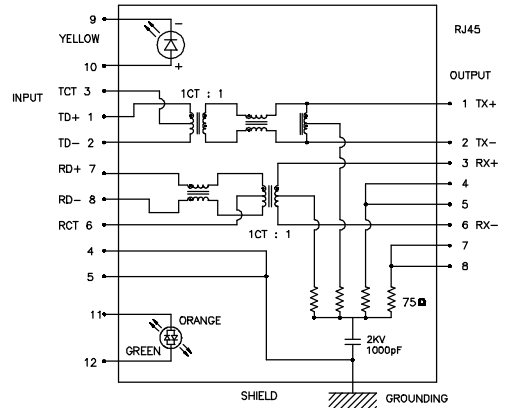
RJ45 Integrated Connector

10/100 Base-TX, Single Port, Through Hole, with LED

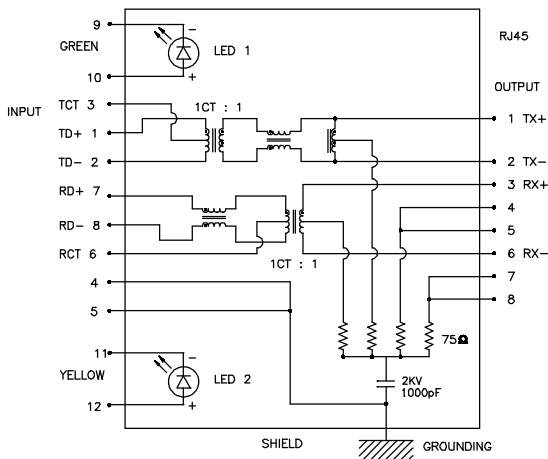
Schematic 6L



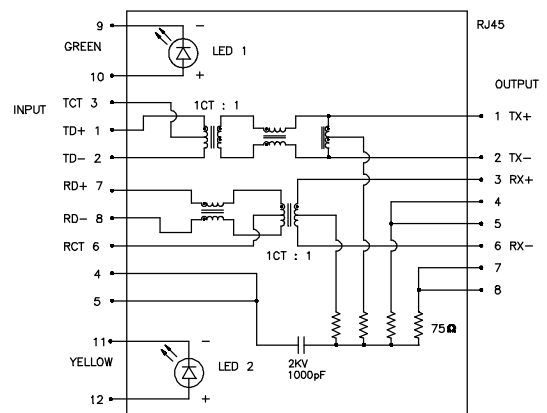
Schematic 6L1



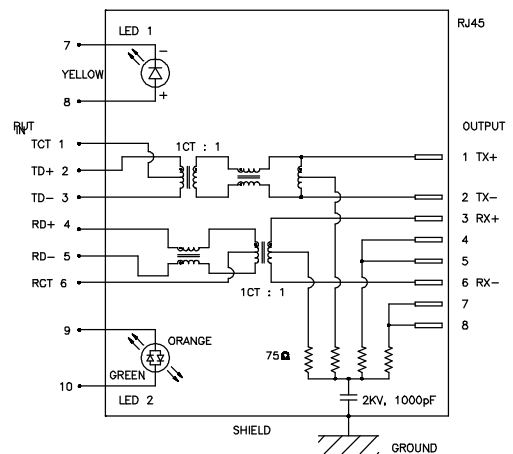
Schematic 6L4



Schematic 6L3



Schematic 9L

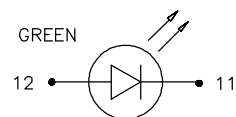
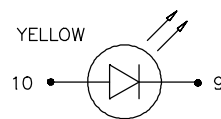
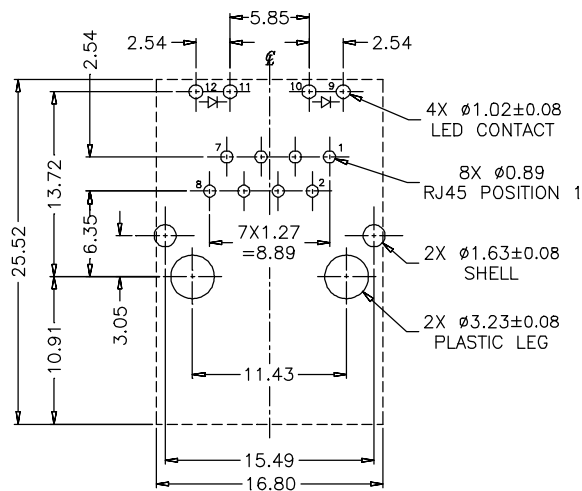
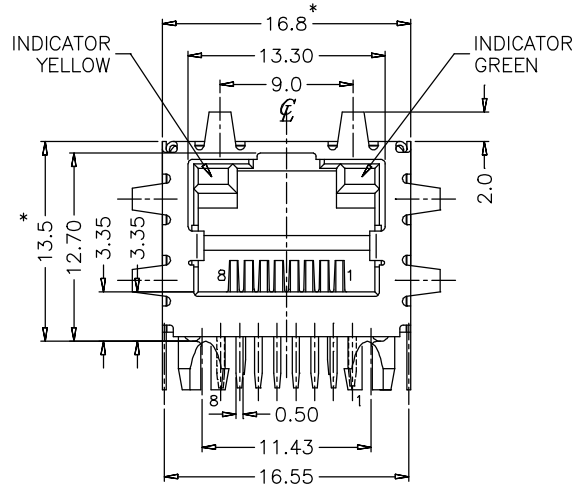
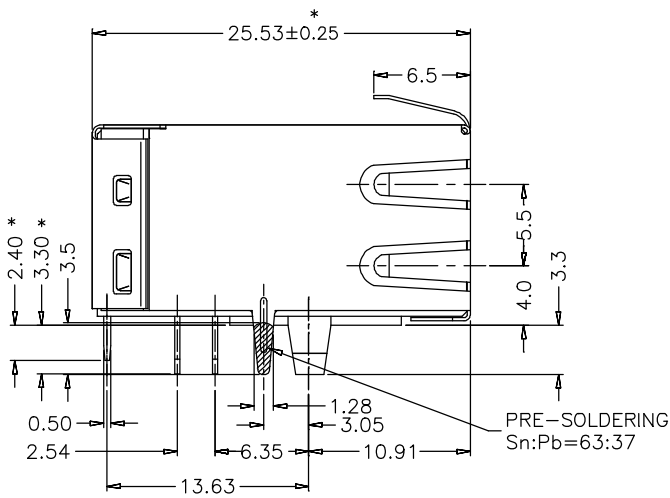
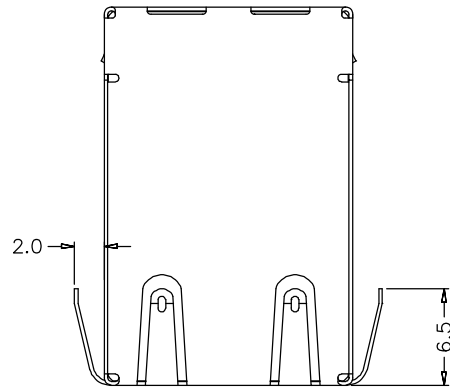


RJ45 Integrated Connector

10/100 Base-TX, Single Port, Through Hole, with LED

Package S1L

GENERAL TOLERANCE
 .XX ±0.13
 .X ±0.25



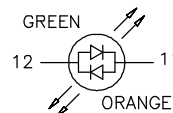
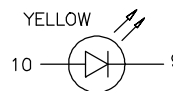
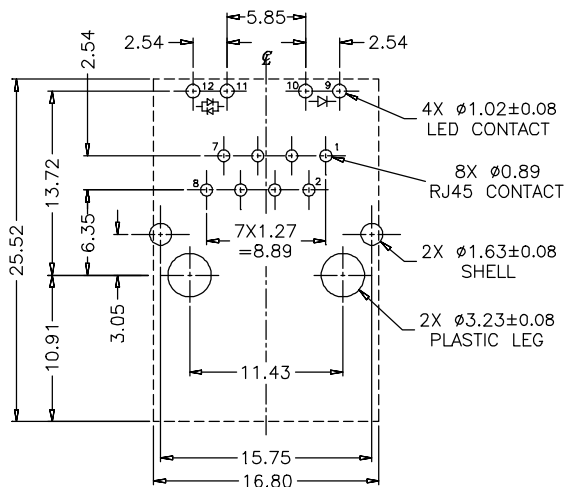
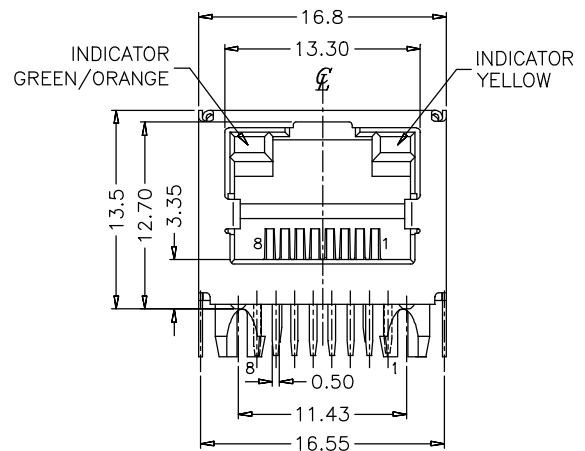
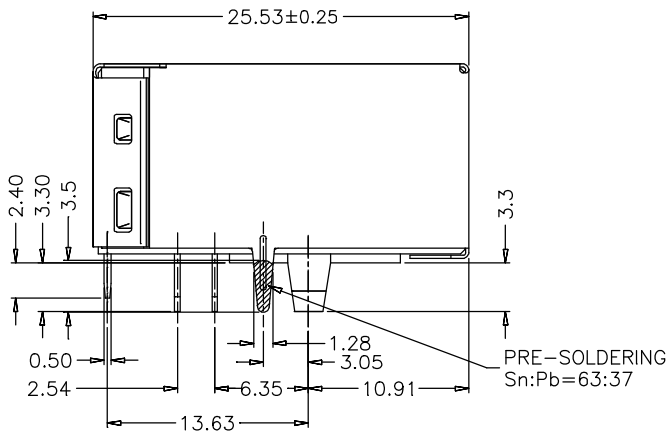
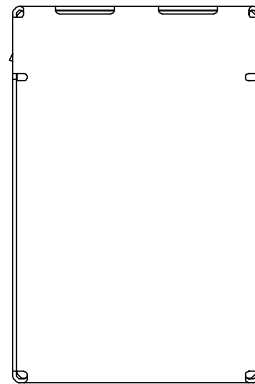
RECOMMENDED PCB LAYOUT
 COMPONENT SIDE PCB THICKNESS : 1.60mm
 ALL DIMENSION TOLERANCE ARE ±0.05 UNLESS OTHERWISE SPECIFIED

RJ45 Integrated Connector

10/100 Base-TX, Single Port, Through Hole, with LED

Package S2L

GENERAL TOLERANCE
 .XX ± 0.13
 .X ± 0.25



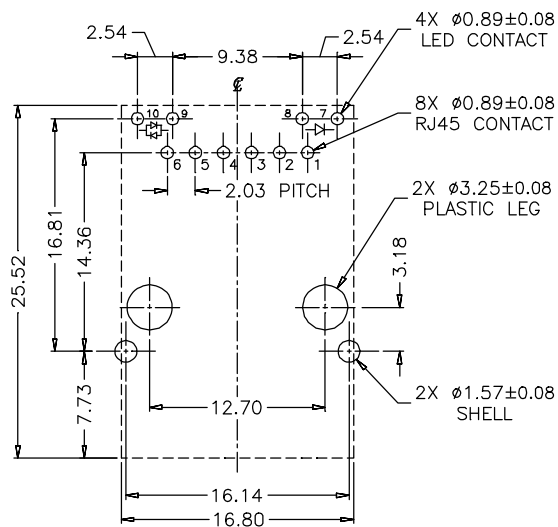
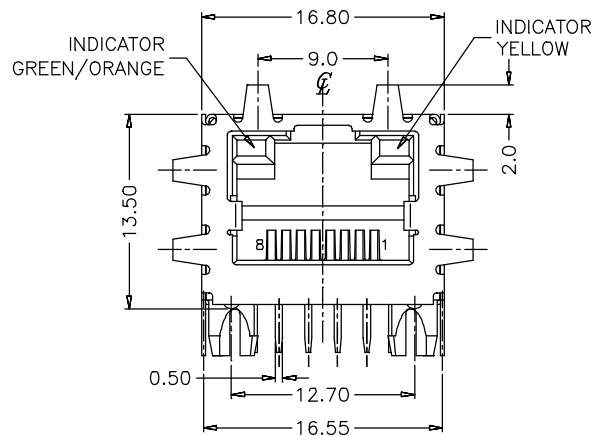
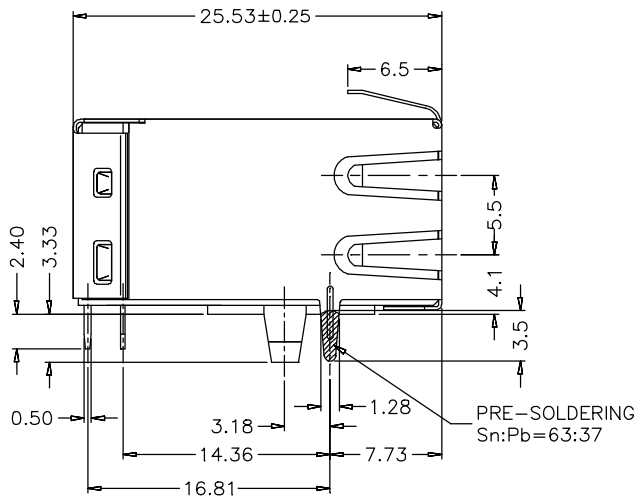
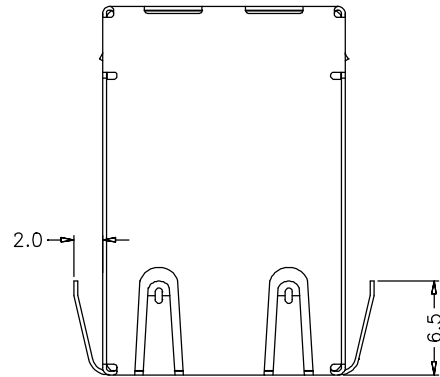
RECOMMENDED PCB LAYOUT
 COMPONENT SIDE PCB THICKNESS : 1.60mm
 ALL DIMENSION TOLERANCE ARE ± 0.05 UNLESS OTHERWISE SPECIFIED

RJ45 Integrated Connector

10/100 Base-TX, Single Port, Through Hole, with LED

Package S3L

GENERAL TOLERANCE
 .XX ±0.13
 .X ±0.25



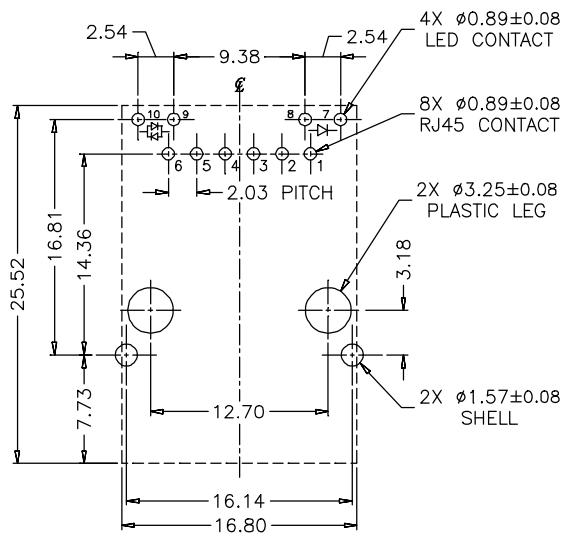
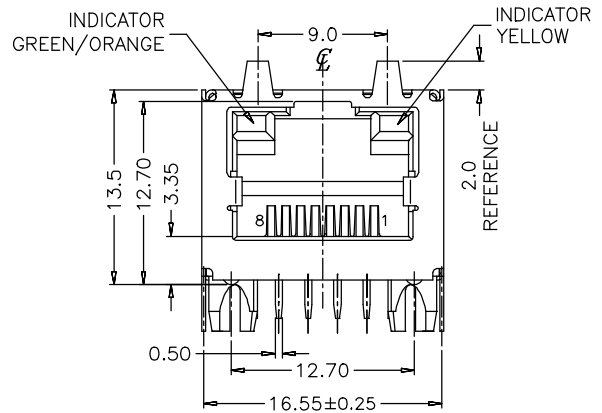
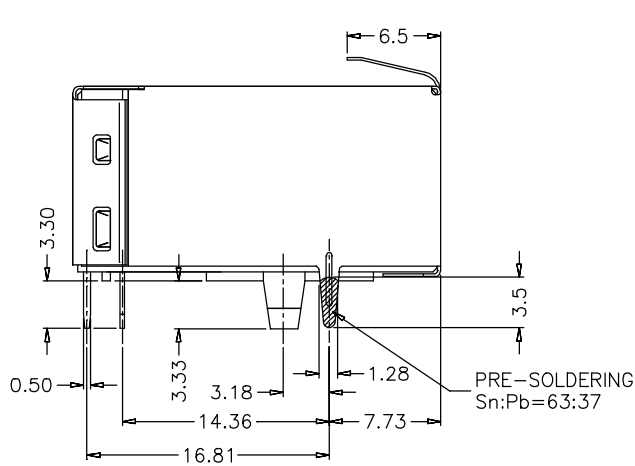
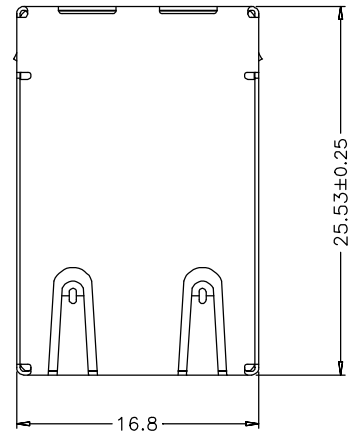
RECOMMENDED PCB LAYOUT
 COMPONENT SIDE PCB THICKNESS : 1.60mm
 ALL DIMENSION TOLERANCE ARE ± 0.05 UNLESS OTHERWISE SPECIFIED

RJ45 Integrated Connector

10/100 Base-TX, Single Port, Through Hole, with LED

Package S3L2

GENERAL TOLERANCE
 .XX ±0.13
 .X ±0.25



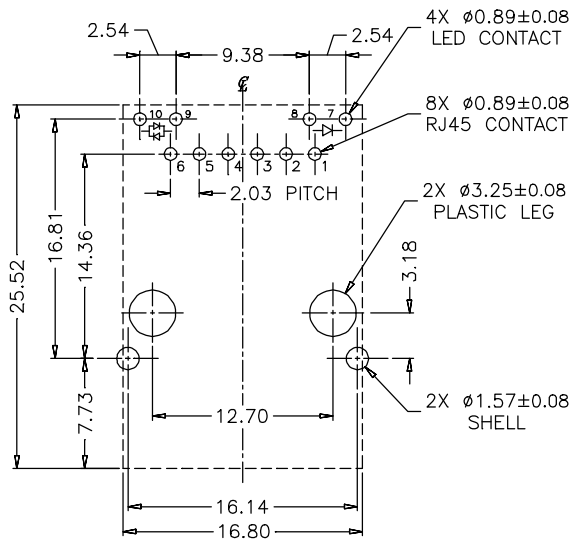
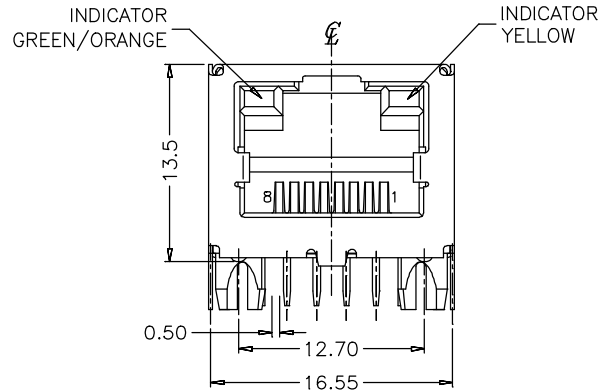
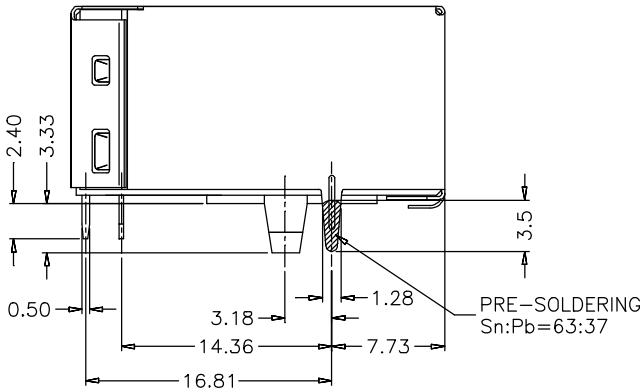
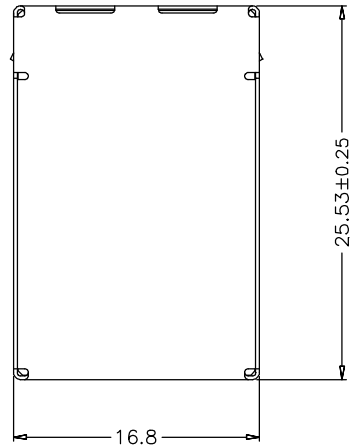
RECOMMENDED PCB LAYOUT
 COMPONENT SIDE PCB THICKNESS : 1.60mm
 ALL DIMENSION TOLERANCE ARE ±0.05 UNLESS OTHERWISE SPECIFIED

RJ45 Integrated Connector

10/100 Base-TX, Single Port, Through Hole, with LED

Package S4L

GENERAL TOLERANCE
 .XX ±0.13
 .X ±0.25



RECOMMENDED PCB LAYOUT
 COMPONENT SIDE PCB THICKNESS : 1.60mm
 ALL DIMENSION TOLERANCE ARE ±0.05 UNLESS OTHERWISE SPECIFIED