



Chipsmall Limited consists of a professional team with an average of over 10 year of expertise in the distribution of electronic components. Based in Hongkong, we have already established firm and mutual-benefit business relationships with customers from,Europe,America and south Asia,supplying obsolete and hard-to-find components to meet their specific needs.

With the principle of “Quality Parts,Customers Priority,Honest Operation,and Considerate Service”,our business mainly focus on the distribution of electronic components. Line cards we deal with include Microchip,ALPS,ROHM,Xilinx,Pulse,ON,Everlight and Freescale. Main products comprise IC,Modules,Potentiometer,IC Socket,Relay,Connector.Our parts cover such applications as commercial,industrial, and automotives areas.

We are looking forward to setting up business relationship with you and hope to provide you with the best service and solution. Let us make a better world for our industry!



Contact us

Tel: +86-755-8981 8866 Fax: +86-755-8427 6832

Email & Skype: info@chipsmall.com Web: www.chipsmall.com

Address: A1208, Overseas Decoration Building, #122 Zhenhua RD., Futian, Shenzhen, China



PRODUCT NUMBER
20020007-XXXXXXLF

20020007 - [] [] [] [] [] [] [] L F

PITCH

G: 5.00 mm
H: 5.08 mm

POLES

02: 2 POLES
03: 3 POLES
04: 4 POLES
...
24: 24 POLES

LF : DENOTED RoHS COMPATIBLE

1 : STANDARD PRODUCT
W/ BOX PACKING

PRINTING CODE	POSITION	MARKING
0	NONE	NONE
1	SIDE	1,2,3,4,5...

SCREW CODE

CODE	SCREW TYPE	AVAILABILITY
A	-/+	ON REQUEST ONLY
B	-	STANDARD

NOTES:

- MATERIALS
1-1 HOUSING: THERMALPLASTIC RESIN, UL 94V-0 RATED.
1-2 SCREW: STEEL, ZINC PLATED.
1-3 CLAMP: COPPER ALLOY, NICKEL PLATED.
1-4 TERMINAL: COPPER ALLOY, TIN PLATED.
- PRODUCT SPECIFICATION REFER TO FCI GS-12-625.
- PRODUCT PACKING SPECIFICATION REFER TO FCI GS-14-1394.
- FCI, SAFETY CERTIFICATE LOGO AND SERIES NAME TO BE SHOWN ON PRODUCT SURFACE.
- THE PRODUCTS WHERE THE PART NUMBER END IN "LF" MEET THE EUROPEAN UNION DIRECTIVE AND OTHER COUNTRY REGULATIONS AS DESCRIBED IN GS-22-008.

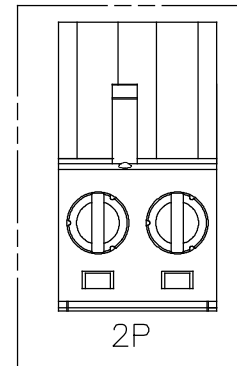
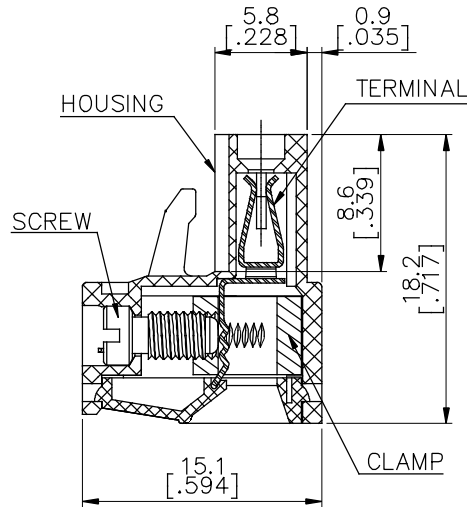
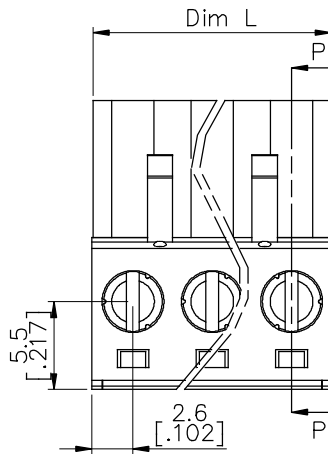
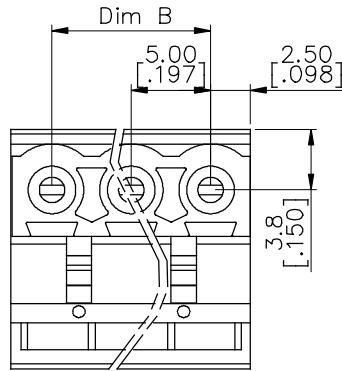
PROPERTY TABLE				
FCI SERIES NAME		01-500	01-508	
PITCH (mm)		5.00	5.08	
VOLTAGE RATING (VAC)		300	300	
CURRENT RATING (A)		12	12	
APPLICABLE WIRE RANGE (AWG)	1-WIRE	12~24	12~24	
	2-WIRE	18	18	
WIRE CROSS SECTION (mm ²)	SOLID	1-WIRE	2.5	
		2-WIRE	1.0	
	STRANDED	1-WIRE	2.5	
		2-WIRE	1.5	
OPENING CONTACT HOUSING(mm ²)		2.6x3.2	2.6x3.2	
WIRE STRIP LENGTH(mm)		7~8	7~8	
TORQUE +/- 10% (N-m/Lb-in)		0.57/5.0	0.57/5.0	
SCREW		M3x0.5	M3x0.5	
WITHSTANDING VOLTAGE (kV)		1.6	1.6	
OPERATING TEMP. (°C)		-40~+115	-40~+115	
POLES AVAILABLE		02~24	02~24	
SAFETY CERTIFICATE				

HOUSING CODE

CODE	COLOR	AVAILABILITY
1	GREEN(RAL 6018/T)	STANDARD
2	BLACK	ON REQUEST ONLY
3	GREY(RAL 7004/P)	ON REQUEST ONLY
4	BLUE(RAL 5015/A)	ON REQUEST ONLY

mat'l. code		surface	tolerance	projection	product family
		ASME Y14.5	ASME Y14.5		TERMINAL BLOCK
ltr	ecn no	dr	date	tolerances unless otherwise specified	title
A	T10-0082	WL	080510	X.±0.5	
B	T10-0158	WL	100410	X.X±0.3	TERMINAL BLOCK PLUGGABLE, PLUG, SIGNAL, W/O FLANGE DOWNSIDE CONTACT
C	T-005908	WL	091311	X*±1*	
D	T-010814	LS	050912	X.XX±0.1	scale
		dr	WENDY CHEN	051410	
		enr	JASON HSU	051410	FCI logo
		chr	GARY HSIEH	051410	
		appd	JOSEPH HSIA	051410	type
sheet index	revision sheet	D	D	D	sheet 1 of 3
		1	2	3	size A4
					20020007
					CUSTOMER Drawing

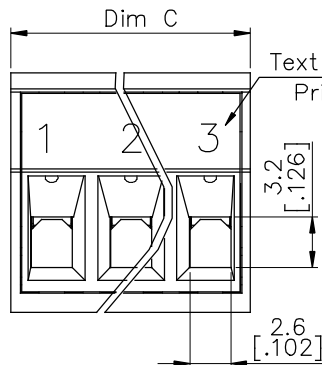
PRODUCT NUMBER	SERIES NAME	PITCH
20020007-GXXXXXXLF	01-500	5.00 mm



N= Number of poles

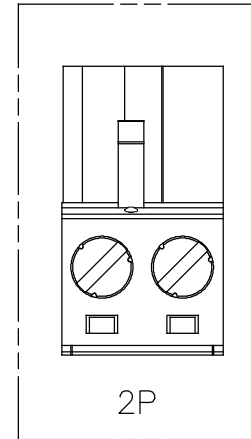
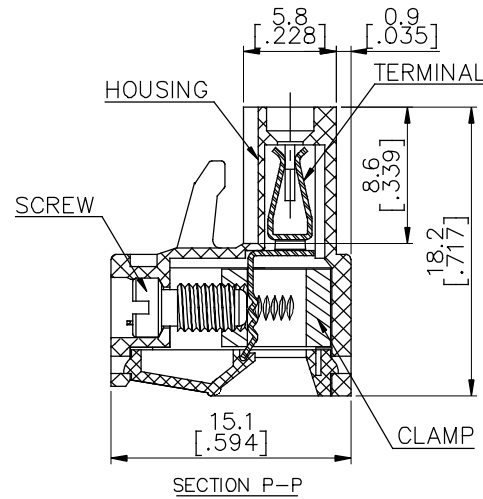
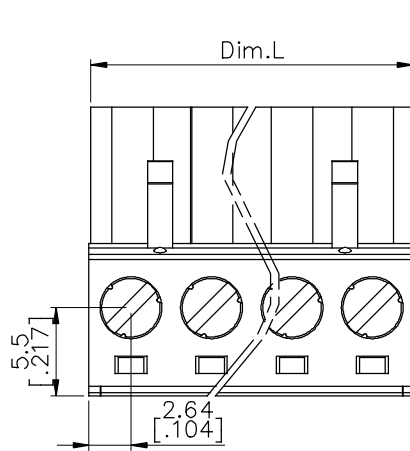
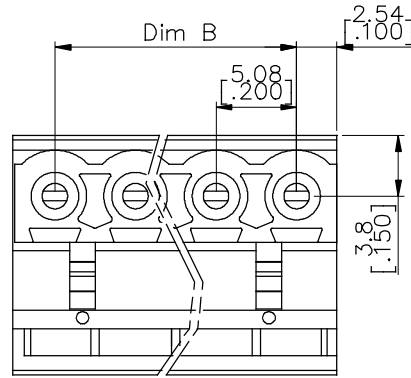
Dim L	N*5.0[.197]
Dim B	(N-1)*5.0[.197]
Dim C	Nx5.0[.197]+0.1[.004]

Poles	Tolerance
2P-7P	±0.15[.006]
8P-12P	±0.25[.010]
13P-18P	±0.30[.012]
19P-24P	±0.40[.016]



mat'l. code		surface ASME Y14.5	tolerance ASME Y14.5	projection MM [INCH]	product family TERMINAL BLOCK
ltr	ecn no	dr	date	title TERMINAL BLOCK PLUGGABLE, PLUG, SIGNAL, W/O FLANGE DOWNSIDE CONTACT	
D		tolerances unless otherwise specified		scale	sheet 2 of 3
		angles	X.±0.5	FCI	size A4
		fillet	X.X±0.3		20020007
		X*±1*	X.XX±0.1		
dr	WENDY CHEN	051410			
enr	JASON HSU	051410			
chr	GARY HSIEH	051410			
appd	JOSEPH HSIA	051410			
sheet index	revision sheet				

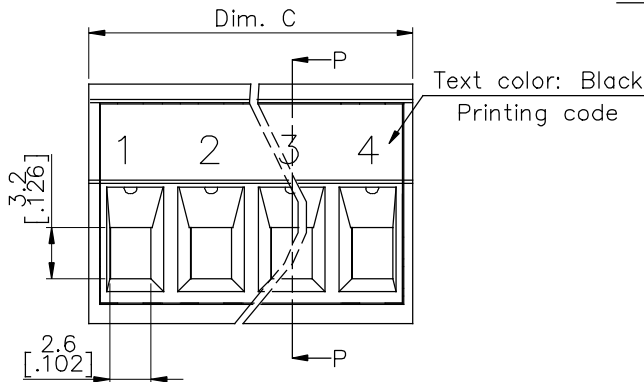
PRODUCT NUMBER	SERIES NAME	PITCH
20020007-HXXXXXXLF	01-508	5.08 mm



N= Number of poles

Dim L	$N \times 5.08 [.200]$
Dim B	$(N-1) \times 5.08 [.200]$
Dim C	$N \times 5.08 [.200] + 0.1 [.004]$

Poles	Tolerance
2P-7P	$\pm 0.15 [.006]$
8P-12P	$\pm 0.25 [.010]$
13P-18P	$\pm 0.30 [.012]$
19P-24P	$\pm 0.40 [.016]$



mat'l. code	surface ASME Y14.5 ✓	tolerance ASME Y14.5	projection MM [INCH]	product family TERMINAL BLOCK
ltr	ecn no	dr	date	title TERMINAL BLOCK PLUGGABLE, PLUG, SIGNAL, W/O FLANGE DOWNSIDE CONTACT
D				scale
	angles	$X \pm 0.5$		sheet 3 of 3
	fillets	$X.X \pm 0.3$		size A4
	$X^{\circ} \pm 1^{\circ}$	$X.XX \pm 0.1$		dwg no 20020007
	dr	WENDY CHEN	051410	type CUSTOMER Drawing
	enr	JASON HSU	051410	
	chr	GARY HSIEH	051410	
	appd	JOSEPH HSIA	051410	
sheet index	revision sheet			