



Chipsmall Limited consists of a professional team with an average of over 10 year of expertise in the distribution of electronic components. Based in Hongkong, we have already established firm and mutual-benefit business relationships with customers from,Europe,America and south Asia,supplying obsolete and hard-to-find components to meet their specific needs.

With the principle of “Quality Parts,Customers Priority,Honest Operation,and Considerate Service”,our business mainly focus on the distribution of electronic components. Line cards we deal with include Microchip,ALPS,ROHM,Xilinx,Pulse,ON,Everlight and Freescale. Main products comprise IC,Modules,Potentiometer,IC Socket,Relay,Connector.Our parts cover such applications as commercial,industrial, and automotives areas.

We are looking forward to setting up business relationship with you and hope to provide you with the best service and solution. Let us make a better world for our industry!



Contact us

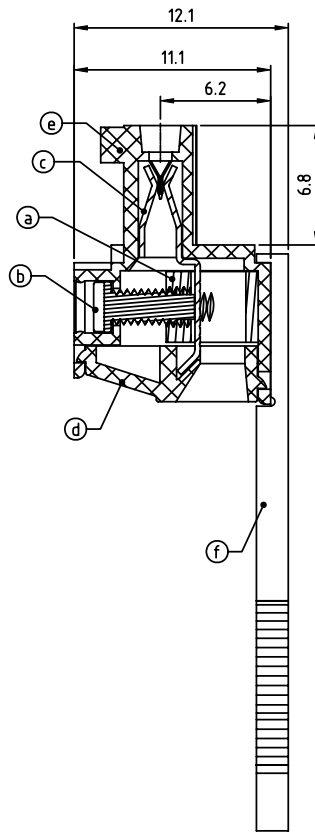
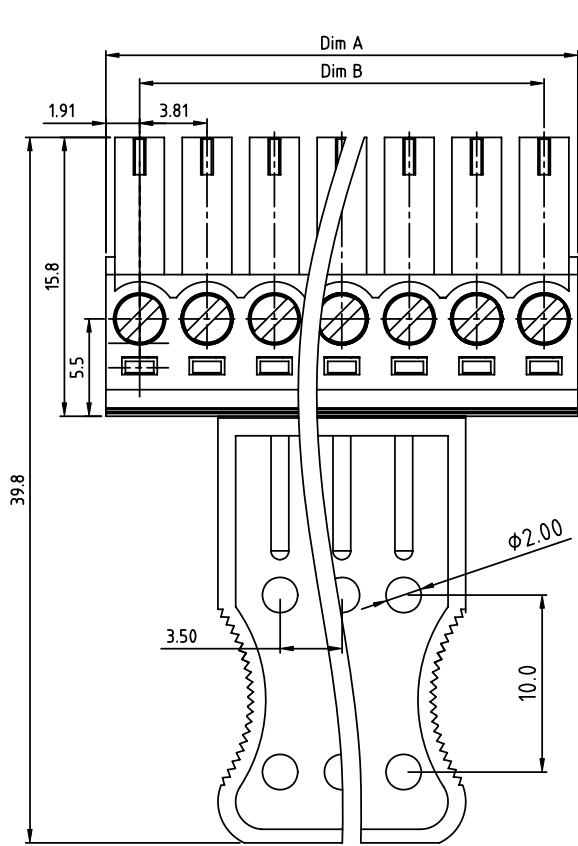
Tel: +86-755-8981 8866 Fax: +86-755-8427 6832

Email & Skype: info@chipsmall.com Web: www.chipsmall.com

Address: A1208, Overseas Decoration Building, #122 Zhenhua RD., Futian, Shenzhen, China



PRODUCT NUMBER	PITCH
TJxx31x400J0G	3.81 mm



Handle list:

TJ3.81 Poles NO.	TJ3.5Handle Poles NO.
2P-4P	2P
5P-9P	5P
10P-15P	8P
16P-24P	12P

N = Number of poles

Dim A=Nx3.81

Dim B=(N-1)x3.81

	Dim A	Dim B
2-6p	±0.15	±0.10
7-12p	±0.20	±0.15
13-18p	±0.25	±0.20
19-24p	±0.30	±0.25

PART NO.: TJ xx 31 x 4 00J0 G

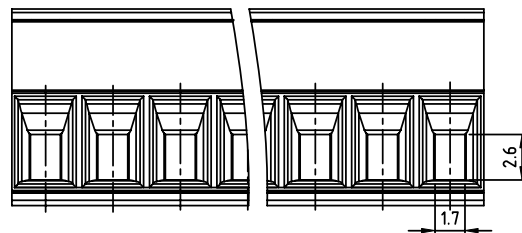
No. of poles	Color	RoHS compliant (lead<4%) In copper Alloy
0	Black (RAL9005)	
02 2 poles	2 Red (RAL3001/D)	
03 3 poles	3 Orange(RAL2011/P)	
...	4 Yellow(RAL1018/A)	
24 24 poles	5 Green(RAL6018/T)	
	6 Blue (RAL5015/A)	
	8 Grey(RAL7035/D)	
	9 White(RAL1102)	
	C Green(RAL6018/U)	

Material

- ItemⒶ Clamp: Brass(CuZn) Ni plated
- ItemⒷ Terminal screw: Steel Zinc plating "-" slot type
- ItemⒸ Female contact: PhBz ,Tin plated
- ItemⒹ Terminal (Cover): Thermoplastic (UL94V-0)
- ItemⒺ Terminal (Body): Thermoplastic (UL94V-0)
- ItemⒻ Handle: Thermoplastic (UL94V-0)

Electrical cULus/VDE

- Voltage rating: 300VAC/300VAC
- Current rating: 10A/10.5A
- Wire range: 1.5mm²
- Solid wire(AWG): 16-28
- Stranded wire(AWG): 16-28
- Torque: 3Lb-In/0.2Nm
- Screw: M2
- Wire strip length: 6-7mm
- Withstanding Voltage: 1.6KV/2.5KV
- Operating temperature: -40°C to +115°C
- Safety Approval:



mat'l. code		surface ASME Y14.5	tolerance ASME Y14.5	projection	product family	
ltr ecn no dr date		tolerances unless otherwise specified			TERMINAL BLOCK	
		angles	X.±0.5	MM	title	
		X*±1"	X.X±0.3		TERMINAL BLOCK	
			X.XX±0.1	scale	PLUGGALBE PLUG, WITH HANDLE	
		dr	HANKE FENG 032614		dwg no sheet 1 of 1 size	
		enr	HANKE FENG 032614		TJxx31x400J0G A4	
		chr	SHI JUN 032614		type CUSTOMER Drawing	
		appd	SHI JUN 032614			
sheet index	revision sheet	A	1			