



Chipsmall Limited consists of a professional team with an average of over 10 year of expertise in the distribution of electronic components. Based in Hongkong, we have already established firm and mutual-benefit business relationships with customers from,Europe,America and south Asia,supplying obsolete and hard-to-find components to meet their specific needs.

With the principle of “Quality Parts,Customers Priority,Honest Operation,and Considerate Service”,our business mainly focus on the distribution of electronic components. Line cards we deal with include Microchip,ALPS,ROHM,Xilinx,Pulse,ON,Everlight and Freescale. Main products comprise IC,Modules,Potentiometer,IC Socket,Relay,Connector.Our parts cover such applications as commercial,industrial, and automotives areas.

We are looking forward to setting up business relationship with you and hope to provide you with the best service and solution. Let us make a better world for our industry!



Contact us

Tel: +86-755-8981 8866 Fax: +86-755-8427 6832

Email & Skype: info@chipsmall.com Web: www.chipsmall.com

Address: A1208, Overseas Decoration Building, #122 Zhenhua RD., Futian, Shenzhen, China





PRODUCT NUMBER
20020004-XXXXXXLF

20020004- LF

PITCH
C: 3.50 mm
D: 3.81 mm

POLES
02: 2 POLES
03: 3 POLES
04: 4 POLES
|
24: 24 POLES

LF : DENOTED RoHS COMPATIBLE

1 : STANDARD PRODUCT W/ BOX PACKING

PROPERTY TABLE			
FCI SERIES NAME		01-350	01-381
PITCH (mm)		3.50	3.81
VOLTAGE RATING (VAC)		300	300
CURRENT RATING (A)	cULus	10	10
	VDE	10.5	10.5
APPLICABLE WIRE RANGE (AWG)	1-WIRE	16~26	16~26
	2-WIRE	20	20
WIRE CROSS SECTION (mm ²)	SOLID	1-WIRE	1.5
		2-WIRE	0.5
	STRANDED	1-WIRE	1.5
		2-WIRE	0.75
OPENING CONTACT HOUSING(mm ²)		1.6x2.5	1.7x2.5
WIRE STRIP LENGTH(mm)		6~7	6~7
TORQUE +/- 10% (N-m/Lb-in)		0.23/2.0	0.23/2.0
SCREW		M2x0.4	M2x0.4
WITHSTANDING VOLTAGE (kV)	cULus	1.6	1.6
	VDE	2.5	2.5
OPERATING TEMP. (°C)		-40~+115	-40~+115
POLES AVAILABLE		02~24	02~24
SAFETY CERTIFICATE			

HOUSING CODE

CODE	COLOR	AVAILABILITY
1	GREEN(RAL 6018/T)	STANDARD
2	BLACK	ON REQUEST ONLY
3	GREY(RAL 7004/P)	ON REQUEST ONLY
4	BLUE(RAL 5015/A)	ON REQUEST ONLY

SCREW CODE

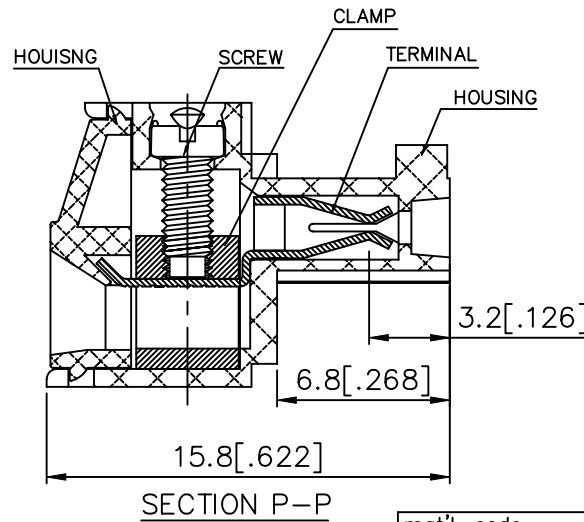
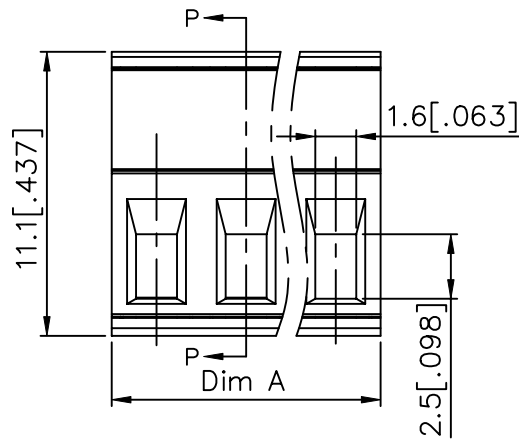
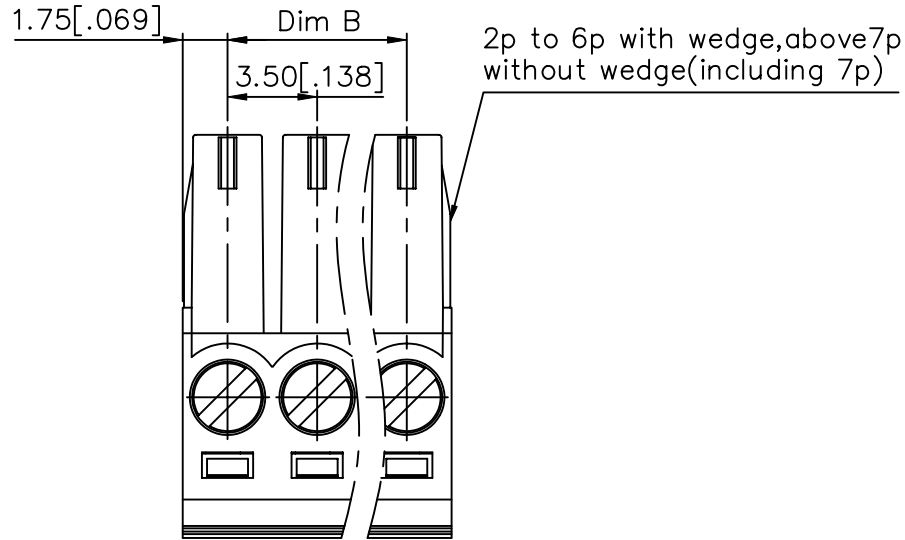
CODE	SCREW TYPE	AVAILABILITY
A	-/+	ON REQUEST ONLY
B	-	STANDARD

NOTES:

- MATERIALS
1-1 HOUSING: THERMALPLASTIC RESIN, UL 94V-0 RATED.
1-2 SCREW: STEEL, ZINC PLATED.
1-3 CLAMP: COPPER ALLOY, NICKEL PLATED.
1-4 TERMINAL: COPPER ALLOY, TIN PLATED.
- PRODUCT SPECIFICATION REFER TO FCI GS-12-625.
- BOXED PACKAGING,
DETAILED PRODUCT PACKING SPECIFICATION REFER TO FCI GS-14-1394.
- FCI, SAFETY CERTIFICATE LOGO AND SERIES NAME TO BE SHOWN ON PRODUCT SURFACE.
- THE PRODUCTS WHERE THE PART NUMBER END IN "LF" MEET THE EUROPEAN UNION DIRECTIVE AND OTHER COUNTRY REGULATIONS AS DESCRIBED IN GS-22-008.

mat'l. code		surface ASME Y14.5 ✓	tolerance ASME Y14.5	projection	product family TERMINAL BLOCK
ltr	ecn no	dr	date	tolerances unless otherwise specified	title
E	T10-0127	WL	080910	angles $X \pm 0.5 [.020]$	TERMINAL BLOCK
F	T10-0147	WL	091310	angles $X.X \pm 0.3 [.012]$	PLUGGABLE PLUG, SIGNAL, W/O FLANGE
G	T10-0159	WL	100410	angles $X \pm 1 [.004]$	CONTACT UP SIDE
H	T10-0187	WL	121410	dr	BEER FU 062509
J	T10-0193	WL	122310	enr	BEER FU 062509
K	T11-0013	WL	040811	chr	GARY HSIEH 062509
L	T-004746	WL	072011	appd	JOSEPH HSIA 062509
sheet index	revision	L	L	L	
	sheet	1	2	3	
					type CUSTOMER Drawing
					dwg no 20020004 sheet 1 of 3 size A4

PRODUCT NUMBER	SERIES NAME	PITCH
20020004-CXXXXXLf	01-350	3.50 mm



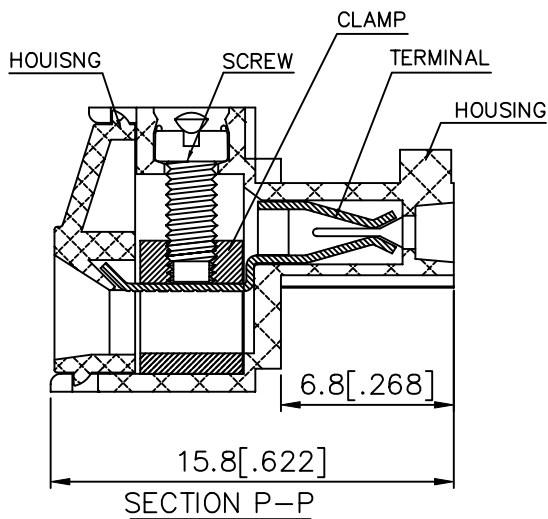
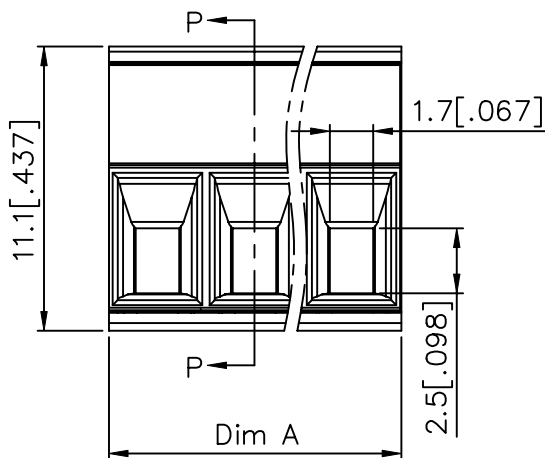
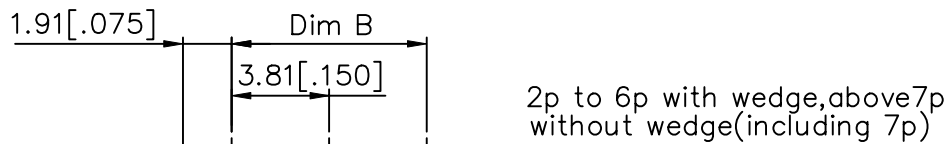
N = Number of Poles
Dim A = $N \times 3.5$ [.138]
Dim B = $(N-1) \times 3.5$ [.138]

POLES	Dim A	Dim B
2-6p	± 0.15 [.006]	
7-12p	± 0.20 [.008]	
13-18p	± 0.25 [.010]	
19-24p	± 0.30 [.012]	

mat'l. code		surface ASME Y14.5 ✓	tolerance ASME Y14.5	projection [Symbol]	product family TERMINAL BLOCK
ltr	ecn no	dr	date	tolerances unless otherwise specified	title
L				$X \pm 0.5$ [.020] $X.X \pm 0.3$ [.012] $X \pm 1$ $X.XX \pm 0.1$ [.004]	TERMINAL BLOCK
				angles X°±1°	PLUGABLE, PLUG, SIGNAL, W/O FLANGE
		dr	BEER FU 062509	scale	sheet 2 of 3 size
		enr	BEER FU 062509		20020004
		chr	GARY HSIEH 062509		A4
		app	JOSEPH HSIA 062509		type
sheet index	revision sheet				



PRODUCT NUMBER	SERIES NAME	PITCH
20020004-DXXXXXL	01-381	3.81 mm



N = Number of Poles
 Dim A = N x 3.81 [.150]
 Dim B = (N-1) x 3.81 [.150]

POLES	Dim A	Dim B
2-6p	±0.15 [.006]	
7-12p	±0.20 [.008]	
13-18p	±0.25 [.010]	
19-24p	±0.30 [.012]	

mat'l. code	surface ASME Y14.5 ✓	tolerance ASME Y14.5	projection ⊕	product family TERMINAL BLOCK		
ltr	ecn	no	dr	date	tolerances unless otherwise specified	 scale FCI type CUSTOMER Drawing
L					angles X ± 1° X.X ± 0.3 [.012] X.XX ± 0.1 [.004]	
	dr	BEER	FU	062509		
	enr	BEER	FU	062509		
	chr	GARY	HSIEH	062509		
	app	JOSEPH	HSIA	062509		
sheet index	revision sheet					