



Chipsmall Limited consists of a professional team with an average of over 10 year of expertise in the distribution of electronic components. Based in Hongkong, we have already established firm and mutual-benefit business relationships with customers from,Europe,America and south Asia,supplying obsolete and hard-to-find components to meet their specific needs.

With the principle of “Quality Parts,Customers Priority,Honest Operation,and Considerate Service”,our business mainly focus on the distribution of electronic components. Line cards we deal with include Microchip,ALPS,ROHM,Xilinx,Pulse,ON,Everlight and Freescale. Main products comprise IC,Modules,Potentiometer,IC Socket,Relay,Connector.Our parts cover such applications as commercial,industrial, and automotives areas.

We are looking forward to setting up business relationship with you and hope to provide you with the best service and solution. Let us make a better world for our industry!



## Contact us

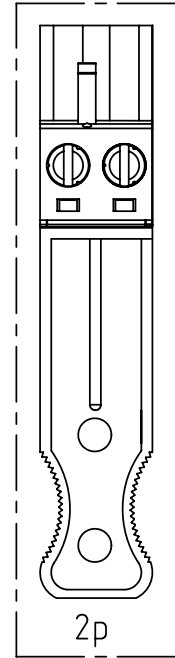
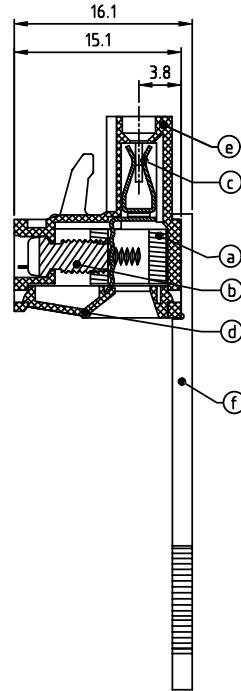
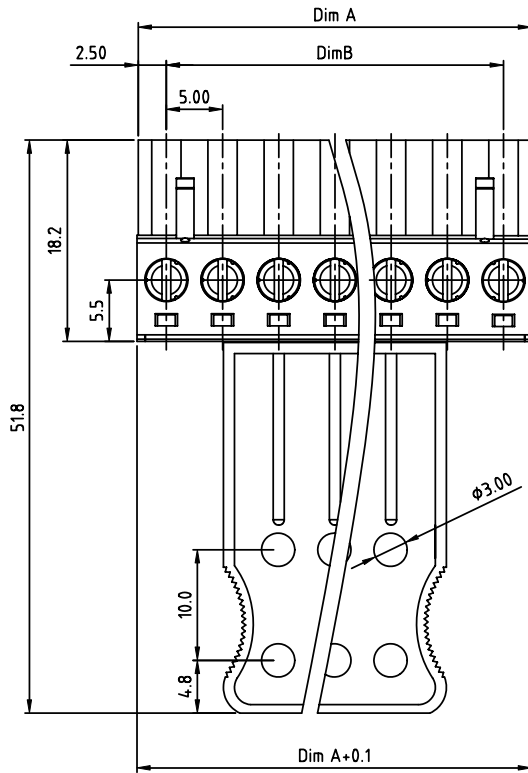
Tel: +86-755-8981 8866 Fax: +86-755-8427 6832

Email & Skype: info@chipsmall.com Web: www.chipsmall.com

Address: A1208, Overseas Decoration Building, #122 Zhenhua RD., Futian, Shenzhen, China



PRODUCT NUMBER	PITCH
TJxx71x400JOG	5.00 mm



Corresponding poles for the handle

product	handle
2P-4P	2P
5P-9P	5P
10P-15P	8P
16P-24P	12P

N = Number of poles  
Dim A = N x 5.0  
Dim B = (N - 1) x 5.0

	Dim A	Dim B
2-6p	±0.20	±0.15
7-12p	±0.25	±0.20
13-18p	±0.30	±0.25
19-24p	±0.40	±0.30

Material

- Item ① Clamp: Brass(CuZn) Ni plated
- Item ② Terminal screw: Steel Zinc plating "-" slot type
- Item ③ Female contact: High conductivity copper, Tin plated
- Item ④ Terminal (Cover): Thermoplastic (UL94V-0)
- Item ⑤ Terminal (Body): Thermoplastic (UL94V-0)
- Item ⑥ Handle: Thermoplastic (UL94V-0)

Electrical cULus/VDE/TUV

- Voltage rating: 300V/300V/300V
- Current rating: 20A/20A/20A
- Wire range:
- Solid wire(AWG): 12-24
- Stranded wire(AWG): 12-24
- Torque: 5Lb-In/0.5Nm/0.56Nm
- Screw: M3
- Wire strip length: 7-8mm
- Withstanding Voltage: 1.6KV/2.5KV/2.5KV
- Operating temperature: -40°C to +115°C
- Safety Approval: cULus VDE TÜV

PART NO.: TJ xx 71 x 4 00J0 G

No. of poles	Body Color	RoHS compliant
02 2 poles	0 Black (RAL9005)	In copper Alloy
03 3 poles	2 Red (RAL3001/D)	
...	3 Orange(RAL2011/P)	
24 24 poles	4 Yellow(RAL1018/A)	
	5 Green(RAL6018/T)	
	6 Blue (RAL5015/A)	
	8 Grey(RAL7035/D)	
	9 White(RAL1102)	
	C Green(RAL6018/U)	

mat'l. code		surface ASME Y14.5	tolerance ASME Y14.5	projection	product family TERMINAL BLOCK
ltr	ecn no	dr	date	tolerances unless otherwise specified	title TERMINAL BLOCK
				angles X°±1°	PLUGGABLE PLU, WITH HANDLE
				scale	dwg no TJxx71x400JOG
				dr HANKE FENG 032614	sheet 1 of 1
				enr HANKE FENG 032614	size A4
				chr SHI JUN 032614	type CUSTOMER Drawing
				appd SHI JUN 032614	
sheet index	revision sheet	A	1		