



Chipsmall Limited consists of a professional team with an average of over 10 year of expertise in the distribution of electronic components. Based in Hongkong, we have already established firm and mutual-benefit business relationships with customers from,Europe,America and south Asia,supplying obsolete and hard-to-find components to meet their specific needs.

With the principle of “Quality Parts,Customers Priority,Honest Operation,and Considerate Service”,our business mainly focus on the distribution of electronic components. Line cards we deal with include Microchip,ALPS,ROHM,Xilinx,Pulse,ON,Everlight and Freescale. Main products comprise IC,Modules,Potentiometer,IC Socket,Relay,Connector.Our parts cover such applications as commercial,industrial, and automotives areas.

We are looking forward to setting up business relationship with you and hope to provide you with the best service and solution. Let us make a better world for our industry!



Contact us

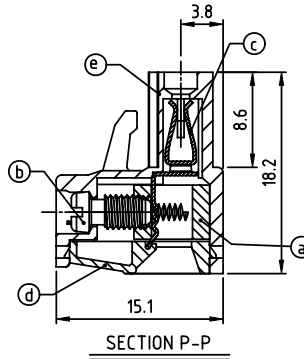
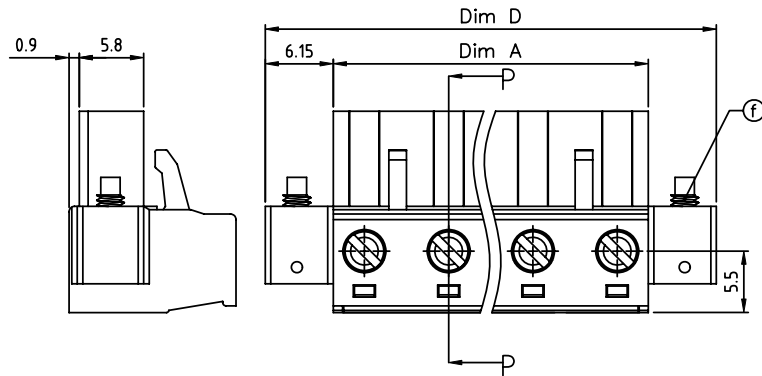
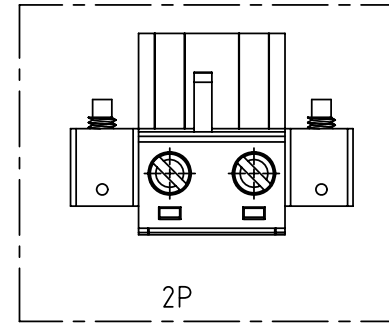
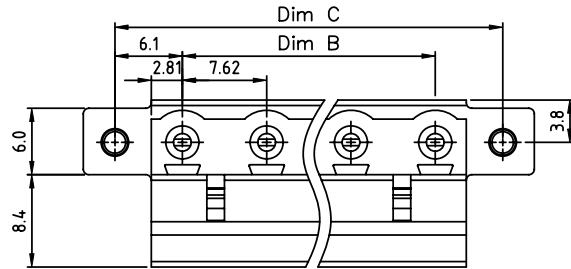
Tel: +86-755-8981 8866 Fax: +86-755-8427 6832

Email & Skype: info@chipsmall.com Web: www.chipsmall.com

Address: A1208, Overseas Decoration Building, #122 Zhenhua RD., Futian, Shenzhen, China



PRODUCT NUMBER	PITCH
TJxx01x200J0G	7.62 mm

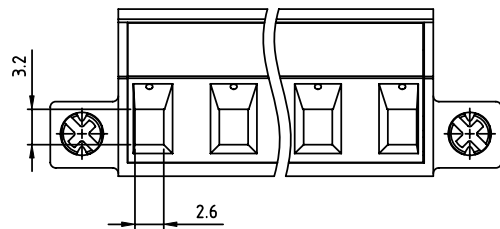


Material

- Item ① Clamp: Brass(CuZn) Ni plated
- Item ② Terminal screw: Steel Zinc plating "-" slot type
- Item ③ Female contact: PhBz ,Tin plated
- Item ④ Terminal Cover: Thermoplastic (UL94V-0)
- Item ⑤ Terminal housing: Thermoplastic (UL94V-0)
- Item ⑥ With flange screw:Steel Zinc plating M2.5"/+/-" slot type

Electrical cULus

- Voltage rating: 300VAC
- Current rating: 20A
- Wire range: 2.5mm²
- Solid wire(AWG): 12-24
- Stranded wire(AWG): 12-24
- Torque: 5Lb-In
- Screw: M3
- Wire strip length: 7-8mm
- Withstanding Voltage: 1.6KV
- Operating temperature: -40°C to +115°C
- Safety Approval:



N = Number of poles
 Dim A=(N-1)X7.62+5.62
 Dim B=(N-1)x7.62
 Dim C=(N-1)x7.62+12.2
 Dim D=(N-1)x7.62+18.0

Poles	Tolerance
2p-4p	±0.15
5p-8p	±0.20
9p-12p	±0.30
13p-16p	±0.40

PART NO.: TJ xx 01 x 2 00J0 G

- Color
- 0 Black (RAL9005)
 - 2 Red (RAL3001/D)
 - 3 Orange(RAL2011/P)
 - 4 Yellow(RAL1018/A)
 - 5 Green(RAL6018/T)
 - 6 Blue (RAL5015/A)
 - 8 Grey(RAL7035/D)
 - 9 White(RAL1102)
 - C Green(RAL6018/U)

RoHS compliant
 (lead<4%)
 In copper Alloy

- 02 2 CONTACTS
- 03 3 CONTACTS
-
- 16 16 CONTACTS

mat'l. code		surface ASME Y14.5	tolerance ASME Y14.5	projection	product family TERMINAL BLOCK
ltr	ecn no	dr	date	 MM scale	title TERMINAL BLOCK PLUGGABLE PLUG,DOWN CONTACT,WITH FLANGE
			angles		dwg no TJxx01x200J0G sheet 1 of 1 size A4
			X*±1"		
			dr	HANKE FENG 010714	type CUSTOMER Drawing
			engr	HANKE FENG 010714	
			chr	SHI JUN 010714	
			appd	SHI JUN 010714	
sheet index	revision sheet	A	1		