



Chipsmall Limited consists of a professional team with an average of over 10 year of expertise in the distribution of electronic components. Based in Hongkong, we have already established firm and mutual-benefit business relationships with customers from,Europe,America and south Asia,supplying obsolete and hard-to-find components to meet their specific needs.

With the principle of "Quality Parts,Customers Priority,Honest Operation,and Considerate Service",our business mainly focus on the distribution of electronic components. Line cards we deal with include Microchip,ALPS,ROHM,Xilinx,Pulse,ON,Everlight and Freescale. Main products comprise IC,Modules,Potentiometer,IC Socket,Relay,Connector.Our parts cover such applications as commercial,industrial, and automotives areas.

We are looking forward to setting up business relationship with you and hope to provide you with the best service and solution. Let us make a better world for our industry!



Contact us

Tel: +86-755-8981 8866 Fax: +86-755-8427 6832

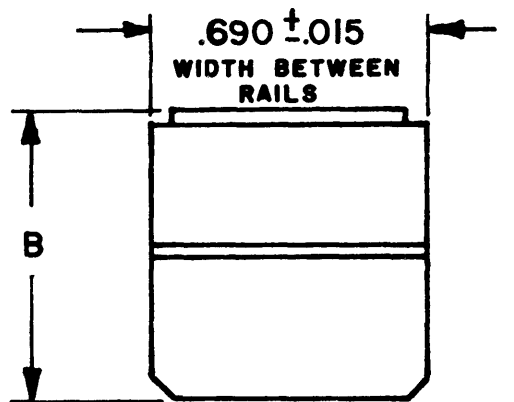
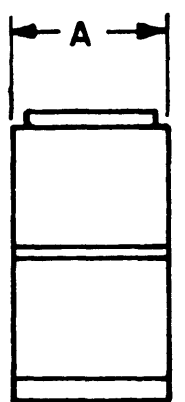
Email & Skype: info@chipsmall.com Web: www.chipsmall.com

Address: A1208, Overseas Decoration Building, #122 Zhenhua RD., Futian, Shenzhen, China

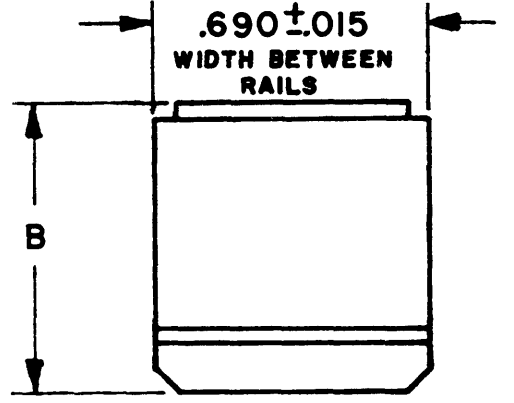
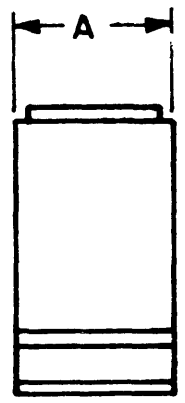


TJ11E-**-**		REVISIONS			
		SYM	DESCRIPTION	DATE	APPROVED
		L	REV & REDR PER E.O. 54074	10-31-68	<i>D.G.B.</i> <i>11-15-68</i>
		M	REV (I) PER E.O. 54097	12-4-68	<i>D.G.B.</i> <i>12-16-68</i>

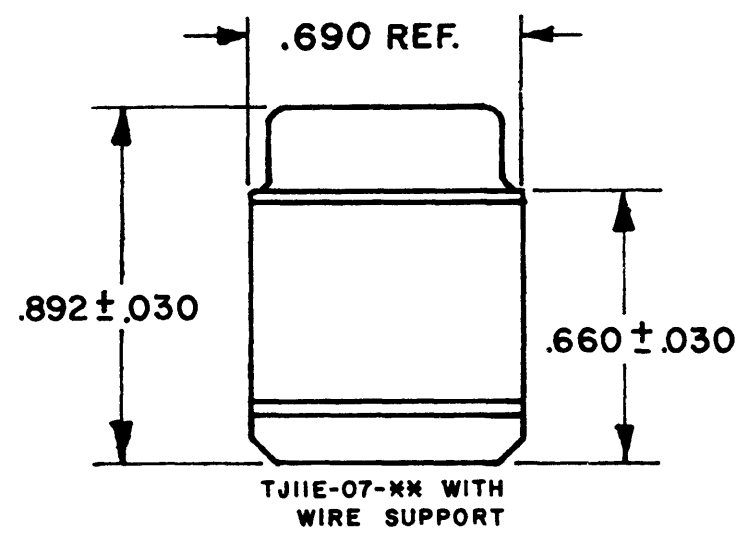
PART NUMBER	SIZE	WT. IN LBS. APPROX.	A ±.015	B ±.030
TJ11E-06-**-**	22	.013	.395	.785
TJ11E-02-**-**	20	.014	.395	.742
TJ11E-05-**-**	16	.032	.980	.747
TJ11E-07-**-**	12	.048	1.274	.807



SIZE 22 ONLY



SIZE 20, 16 & 12



TJ11E-07-**-** WITH WIRE SUPPORT

6. FOR CONTACT DATA SEE ENVELOPE DWG. 61800.
5. MODULE ASSEMBLY WEIGHTS SHOWN INCLUDE 8 CONTACTS FOR SIZES 20, 16, AND 12 AND 10 CONTACTS FOR SIZE 22.
4. TJ11E-**-**-**
3. THESE MODULE SIZES MAY BE USED IN SIZE 1 FRAME ONLY.
2. THE BUS IDENTIFICATION WILL BE SCREENED ON MODULE ASSY. FOR AVAILABLE MODULE ARRANGEMENT SEE CATALOG ENVELOPE DWGS. 61500, 61501, 61502 & 61513.
1. SEE "GENERAL DESCRIPTION" FOR ELECTRICAL AND MATERIAL SPECIFICATION.

NOTES:

10/31/68	SIGNATURE & DATE	MODULE ASSEMBLY TERMINAL JUNCTION SIZE 22, 20, 16 & 12 TYPE I ENVIRONMENTAL ENVELOPE	CP	MATL. CODE	
DR	R. BARTLEY		The Deutsch Company ELECTRONIC COMPONENTS DIVISION Municipal Airport Banning, California		
CHK	<i>B.L. Fischer 11-15-68</i>		B TJ11E-**-**-**	DWG. SIZE	CODE
PE	<i>D.G. Block 11/4/68</i>			11139	SHEET OF
APPD			SCALE	NONE	WT