



Chipsmall Limited consists of a professional team with an average of over 10 year of expertise in the distribution of electronic components. Based in Hongkong, we have already established firm and mutual-benefit business relationships with customers from,Europe,America and south Asia,supplying obsolete and hard-to-find components to meet their specific needs.

With the principle of “Quality Parts,Customers Priority,Honest Operation,and Considerate Service”,our business mainly focus on the distribution of electronic components. Line cards we deal with include Microchip,ALPS,ROHM,Xilinx,Pulse,ON,Everlight and Freescale. Main products comprise IC,Modules,Potentiometer,IC Socket,Relay,Connector.Our parts cover such applications as commercial,industrial, and automotives areas.

We are looking forward to setting up business relationship with you and hope to provide you with the best service and solution. Let us make a better world for our industry!



Contact us

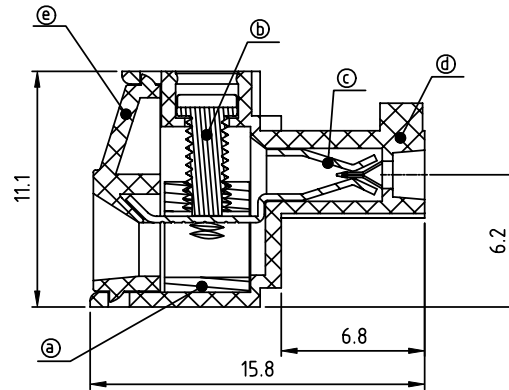
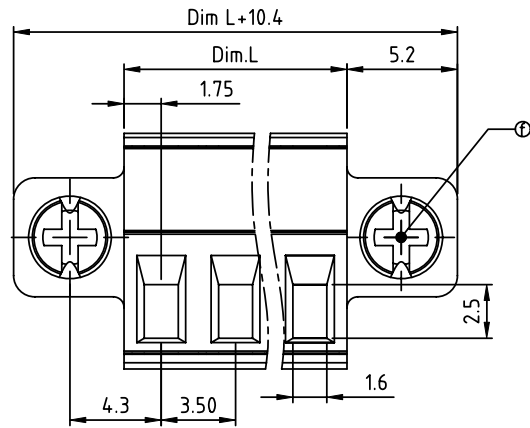
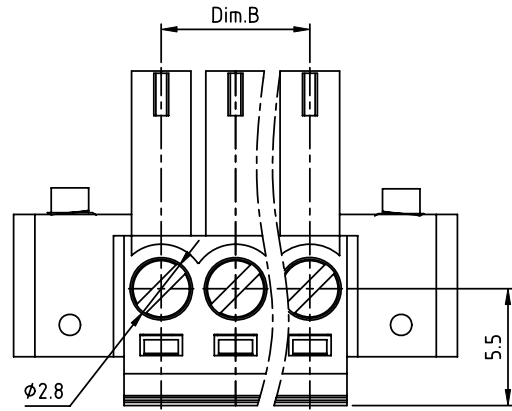
Tel: +86-755-8981 8866 Fax: +86-755-8427 6832

Email & Skype: info@chipsmall.com Web: www.chipsmall.com

Address: A1208, Overseas Decoration Building, #122 Zhenhua RD., Futian, Shenzhen, China



PRODUCT NUMBER	PITCH
TJxx11x200J0G	3.50 mm



Material

- ItemⒶ Clamp: Brass(CuZn) Ni plated
- ItemⒷ Terminal screw: Steel Zinc plating "-" slot type
- ItemⒸ Female contact: PhBz ,Tin plated
- ItemⒹ Terminal (housing): Thermoplastic (UL94V-0)
- ItemⒺ Terminal (cover): Thermoplastic (UL94V-0)
- ItemⒻ With flange screw : steel M2.5 Zinc plating "+/-" slot type

Electrical cULus/VDE

- Voltage rating: 300VAC/300VAC
- Current rating: 10A/10.5A
- Wire range: 1.5mm²
- Solid wire(AWG): 16-28
- Stranded wire(AWG): 16-28
- Torque: 3.0Lb-In/0.2Nm
- Screw: M2
- Wire strip length: 6-7mm
- Withstanding Voltage: 1.6KV/2.5KV
- Operating temperature: -40°C to +115°C
- Safety Approval:

Dim.L = N x 3.5
 Dim.B = (N-1) x 3.5
 N= number of poles

poles	2P-6P	7P-12P	13P-18P	19P-24P
Dim.L	±0.15	±0.20	±0.25	±0.30
Dim.B	±0.15	±0.20	±0.25	±0.30

PART NO.: TJ xx 1 1 x 2 00J0 G

- No. of poles: 02 2 poles, 03 3 poles, ... 24 24 poles
- Color: 0 Black (RAL9005), 2 Red (RAL3001/D), 3 Orange(RAL2011/P), 4 Yellow(RAL1018/A), 5 Green(RAL6018/T), 6 Blue (RAL5015/A), 8 Grey(RAL7035/D), 9 White(RAL1102), C Green(RAL6018/U)
- RoHS compliant (lead<4%) In copper Alloy

mat'l. code		surface ASME Y14.5	tolerance ASME Y14.5	projection 	product family TERMINAL BLOCK
ltr	ecn no	dr	date	tolerances unless otherwise specified	title TERMINAL BLOCK
				angles X°±1°	
				scale MM	PLUGGABLE PLUG, WITH FLANGE
dr	HANKE FENG		031414		dwg no TJxx11x200J0G
enr	HANKE FENG		031414		sheet 1 of 1
chr	SHI JUN		031414		size A4
appd	SHI JUN		031414		type CUSTOMER Drawing
sheet index	revision	A			
	sheet	1			