



Chipsmall Limited consists of a professional team with an average of over 10 year of expertise in the distribution of electronic components. Based in Hongkong, we have already established firm and mutual-benefit business relationships with customers from,Europe,America and south Asia,supplying obsolete and hard-to-find components to meet their specific needs.

With the principle of “Quality Parts,Customers Priority,Honest Operation,and Considerate Service”,our business mainly focus on the distribution of electronic components. Line cards we deal with include Microchip,ALPS,ROHM,Xilinx,Pulse,ON,Everlight and Freescale. Main products comprise IC,Modules,Potentiometer,IC Socket,Relay,Connector.Our parts cover such applications as commercial,industrial, and automotives areas.

We are looking forward to setting up business relationship with you and hope to provide you with the best service and solution. Let us make a better world for our industry!



Contact us

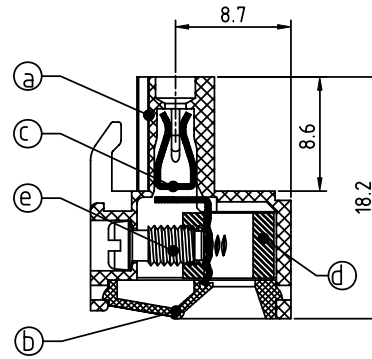
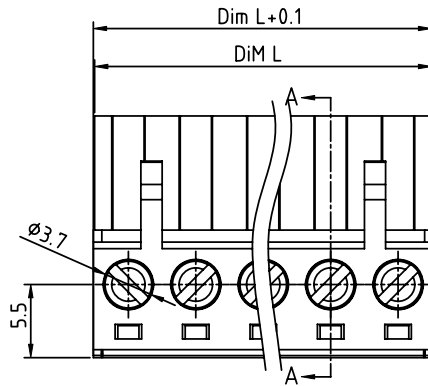
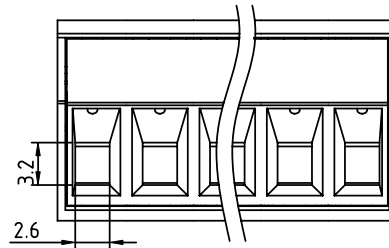
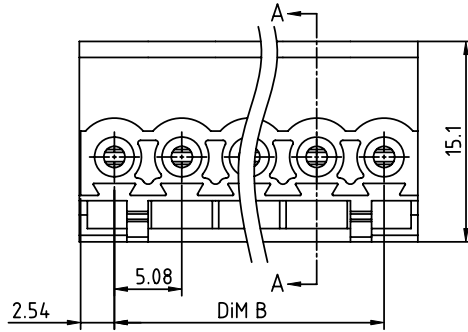
Tel: +86-755-8981 8866 Fax: +86-755-8427 6832

Email & Skype: info@chipsmall.com Web: www.chipsmall.com

Address: A1208, Overseas Decoration Building, #122 Zhenhua RD., Futian, Shenzhen, China



PRODUCT NUMBER	PITCH
TJxx51x600JOG	5.08 mm



SECTION A-A

Material

- Item (a) Terminal body: Thermoplastic (UL94V-0)
- Item (b) Terminal cover: Thermoplastic (UL94V-0)
- Item (c) Female contact: High conductivity copper Tin plated
- Item (d) Clamp: Brass, Ni plated
- Item (e) Terminal screw: Steel Zinc plating "-" slot type

Electrical cULus

- Voltage rating: 300V
- Current rating: 20A
- Solid wire (AWG): 12-24
- Stranded wire (AWG): 12-24
- Torque (Lb-In): 5
- Screw: M3
- Wire strip length: 7-8mm
- Withstanding Voltage: 1.6KV
- Operating temperature: -40°C to +115°C
- Safety Approval: us

DIMENSION

DIM L	N×5.08
DIM B	(N-1)×5.08

N=Number of poles

Poles	Tolerance DIM L&DIM B
2p-5p	±0.15
6p-10p	±0.20
11p-15p	±0.25
16p-20p	±0.30
21p-24p	±0.40

PART NO.: TJ xx 51 x 6 0 0 J O G

No. of poles	Color	RoHS compliant (lead<4%) In copper Alloy
02 2 poles	2 Black (RAL9005)	
03 3 poles	2 Red (RAL3001/D)	
...	3 Orange (RAL2011/P)	
...	4 Yellow (RAL1018/A)	
24 24 poles	5 Green (RAL6018/T)	
	6 Blue (RAL5015/A)	
	8 Grey (RAL7035/D)	
	9 White (RAL1102)	
	C Green (RAL6018/U)	

mat'l. code		surface ASME Y14.5 ✓	tolerance ASME Y14.5	projection 	product family TERMINAL BLOCK
ltr	ecn no	dr	date	tolerances unless otherwise specified	title TERMINAL BLOCK
				angles 	PLUGGABLE PLUG, CONTACT ON UP SIDE
				X±0.5	scale MM
				X.X±0.3	dwg no TJxx51x600JOG
				X'±1"	sheet 1 of 1 size A4
		dr	HANKE FENG	032214	FCI
		enr	HANKE FENG	032214	
		chr	SHI JUN	032214	
		appd	SHI JUN	032214	
sheet index	revision sheet	A	1		type CUSTOMER Drawing