



Chipsmall Limited consists of a professional team with an average of over 10 year of expertise in the distribution of electronic components. Based in Hongkong, we have already established firm and mutual-benefit business relationships with customers from,Europe,America and south Asia,supplying obsolete and hard-to-find components to meet their specific needs.

With the principle of “Quality Parts,Customers Priority,Honest Operation,and Considerate Service”,our business mainly focus on the distribution of electronic components. Line cards we deal with include Microchip,ALPS,ROHM,Xilinx,Pulse,ON,Everlight and Freescale. Main products comprise IC,Modules,Potentiometer,IC Socket,Relay,Connector.Our parts cover such applications as commercial,industrial, and automotives areas.

We are looking forward to setting up business relationship with you and hope to provide you with the best service and solution. Let us make a better world for our industry!



## Contact us

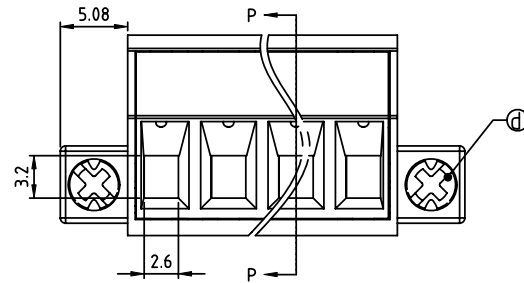
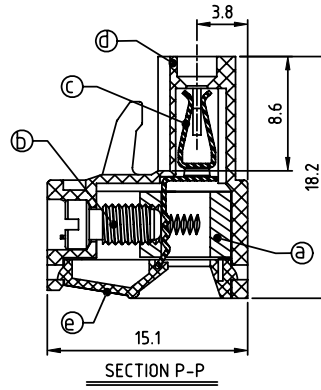
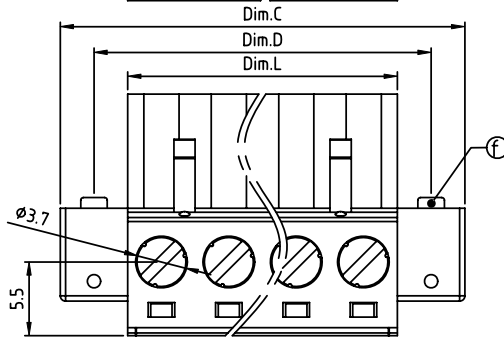
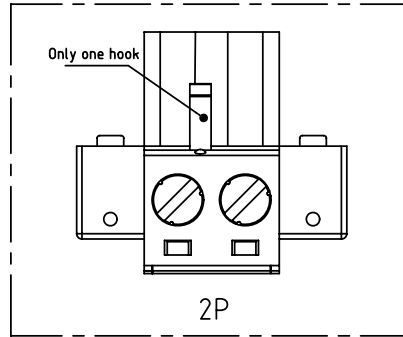
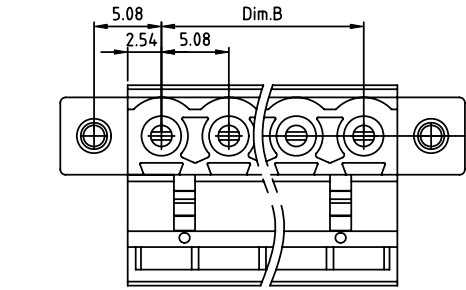
Tel: +86-755-8981 8866 Fax: +86-755-8427 6832

Email & Skype: info@chipsmall.com Web: www.chipsmall.com

Address: A1208, Overseas Decoration Building, #122 Zhenhua RD., Futian, Shenzhen, China



PRODUCT NUMBER	PITCH
TJxx51x200J0G	5.08 mm



Material

- Item (a) Clamp: Brass(CuZn) Ni plated
- Item (b) Terminal screw: Steel Zinc plating "-" slot type
- Item (c) Female contact: High conductivity copper, Tin plated
- Item (d) Terminal Cover: Thermoplastic (UL94V-0)
- Item (e) Terminal housing: Thermoplastic (UL94V-0)
- Item (f) With flange screw: Steel Zinc plating M2.5"/+/-" slot type Electrical cULus/VDE/TUV
- Voltage rating: 300VAC/300VAC/300VAC
- Current rating: 20A/20A/20A
- Wire range: 2.5mm<sup>2</sup>/0.34-2.5mm
- Solid wire(AWG): 12-24/14-22
- Stranded wire(AWG): 12-24/14-22
- Torque: 5Lb-In/0.5Nm/0.56Nm
- Screw: M3
- Wire strip length: 7-8mm
- Withstanding Voltage: 1.6KV/2.5KV/2.5KV
- Operating temperature: -40°C to +115°C
- Safety Approval: cULus VDE TÜV

PART NO.: TJ xx 51x 2 00J0 G

No. of poles	Color	RoHS compliant (lead<4%)
02 2 poles	2 Black (RAL9005)	In copper Alloy
03 3 poles	3 Red (RAL3001/D)	
...	4 Orange(RAL2011/P)	
24 24 poles	5 Yellow(RAL1018/A)	
	6 Green(RAL6018/T)	
	7 Blue (RAL5015/A)	
	8 Grey(RAL7035/D)	
	9 White(RAL1102)	
	C Green(RAL6018/U)	

N= Number of poles

Dimension

Dimension	Value	Poles	Tolerance
Dim L	Nx5.08	2P-7P	±0.15
Dim B	(N-1)x5.08	8P-12P	±0.25
Dim C	(N+2)x5.08	13P-18P	±0.30
Dim D	(N+1)x5.08	19P-24P	±0.40

mat'l. code		surface ASME Y14.5	tolerance ASME Y14.5	projection	product family TERMINAL BLOCK
ltr	ecn no	dr	date	tolerances unless otherwise specified	title
				angles	TERMINAL BLOCK
				X±0.5	PLUGGALBE PLUG,DOWN CONTACT,WITH FLANGE
				X.X±0.3	scale
				X'±1"	X.XX±0.1
		dr	HANKE FENG	032214	FCI
		enr	HANKE FENG	032214	sheet 1 of 1 size
		chr	SHI JUN	032214	TJxx51x200J0G
		appd	SHI JUN	032214	A4
sheet index	revision	A			type CUSTOMER Drawing
	sheet	1			