



Chipsmall Limited consists of a professional team with an average of over 10 year of expertise in the distribution of electronic components. Based in Hongkong, we have already established firm and mutual-benefit business relationships with customers from,Europe,America and south Asia,supplying obsolete and hard-to-find components to meet their specific needs.

With the principle of “Quality Parts,Customers Priority,Honest Operation,and Considerate Service”,our business mainly focus on the distribution of electronic components. Line cards we deal with include Microchip,ALPS,ROHM,Xilinx,Pulse,ON,Everlight and Freescale. Main products comprise IC,Modules,Potentiometer,IC Socket,Relay,Connector.Our parts cover such applications as commercial,industrial, and automotives areas.

We are looking forward to setting up business relationship with you and hope to provide you with the best service and solution. Let us make a better world for our industry!



Contact us

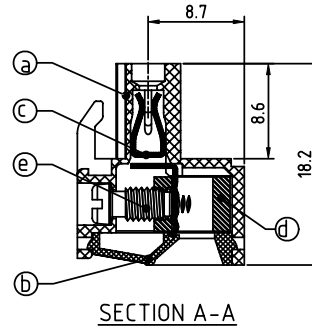
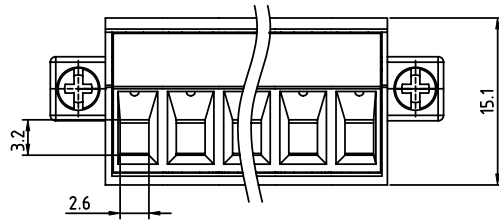
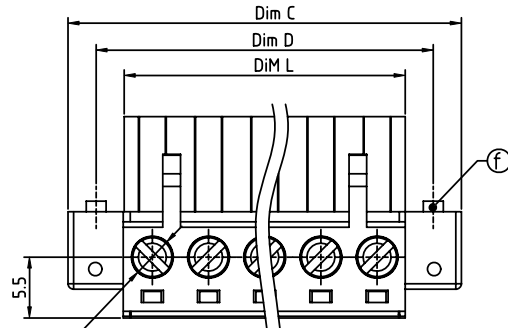
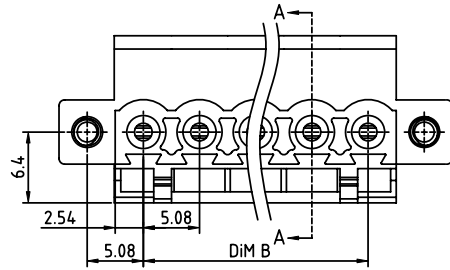
Tel: +86-755-8981 8866 Fax: +86-755-8427 6832

Email & Skype: info@chipsmall.com Web: www.chipsmall.com

Address: A1208, Overseas Decoration Building, #122 Zhenhua RD., Futian, Shenzhen, China



PRODUCT NUMBER	PITCH
TJxx51x700J0G	5.08 mm



Material

- Item ㉑ Terminal body: Thermoplastic (UL94V-0)
- Item ㉒ Terminal cover: Thermoplastic (UL94V-0)
- Item ㉓ Female contact: High conductivity copper Tin plated
- Item ㉔ Clamp: Brass, Ni plated
- Item ㉕ Terminal screw: Steel Zinc plating "-" slot type
- Item ㉖ With flange screw: steel M2.5 Zinc plated "+/-" slot type

Electrical cULus

- Voltage rating: 300V
- Current rating: 20A
- Solid wire (AWG): 12-24
- Stranded wire (AWG): 12-24
- Torque (Lb-In): 5
- Screw: M3
- Wire strip length: 7-8mm
- Withstanding Voltage: 1.6KV
- Operating temperature: -40°C to +115°C
- Safety Approval: us

Dimension

Dim L	Nx5.08
Dim B	(N-1)x5.08
Dim C	(N+2)x5.08
Dim D	(N+1)x5.08

N= Number of poles

Poles	Tolerance
2P-7P	±0.15
8P-12P	±0.25
13P-18P	±0.30
19P-24P	±0.40

PART NO.: TJ xx 51 x 7 0 0 J 0 G

No. of poles	Color	RoHS compliant
02 2 poles	0 Black (RAL9005)	RoHS compliant (lead<4%) In copper Alloy
03 3 poles	2 Red (RAL3001/D)	
...	3 Orange (RAL2011/P)	
...	4 Yellow (RAL1018/A)	
24 24 poles	5 Green (RAL6018/T)	
	6 Blue (RAL5015/A)	
	8 Grey (RAL7035/D)	
	9 White (RAL1102)	
	C Green (RAL6018/U)	

mat'l. code		surface ASME Y14.5 ✓	tolerance ASME Y14.5	projection 	product family TERMINAL BLOCK
ltr	ecn no	dr	date	tolerances unless otherwise specified	title TERMINAL BLOCK
				angles 	MM
				X±1°	scale PLUGGABLE PLUG, WITH FLANGE, CONTACT ON UP SIDE
		dr	HANKE FENG	032214	dwg no TJxx51x700J0G
		enr	HANKE FENG	032214	sheet 1 of 1 size A4
		chr	SHI JUN	032214	type CUSTOMER Drawing
		appd	SHI JUN	032214	
sheet index	revision	A			
	sheet	1			