

Chipsmall Limited consists of a professional team with an average of over 10 year of expertise in the distribution of electronic components. Based in Hongkong, we have already established firm and mutual-benefit business relationships with customers from,Europe,America and south Asia,supplying obsolete and hard-to-find components to meet their specific needs.

With the principle of “Quality Parts,Customers Priority,Honest Operation,and Considerate Service”,our business mainly focus on the distribution of electronic components. Line cards we deal with include Microchip,ALPS,ROHM,Xilinx,Pulse,ON,Everlight and Freescale. Main products comprise IC,Modules,Potentiometer,IC Socket,Relay,Connector.Our parts cover such applications as commercial,industrial, and automotives areas.

We are looking forward to setting up business relationship with you and hope to provide you with the best service and solution. Let us make a better world for our industry!



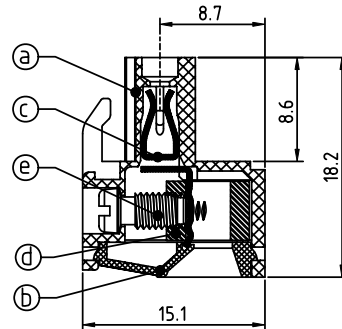
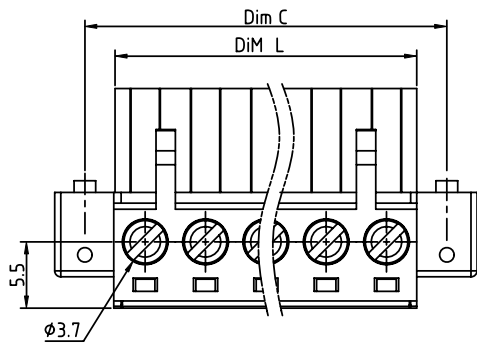
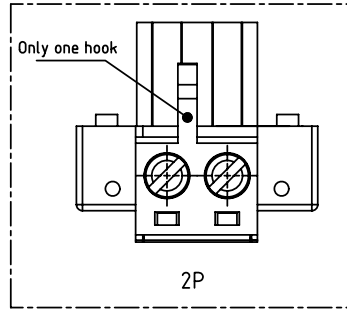
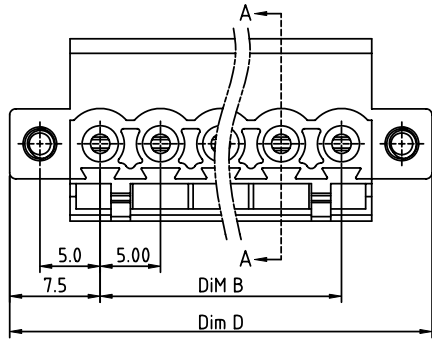
Contact us

Tel: +86-755-8981 8866 Fax: +86-755-8427 6832

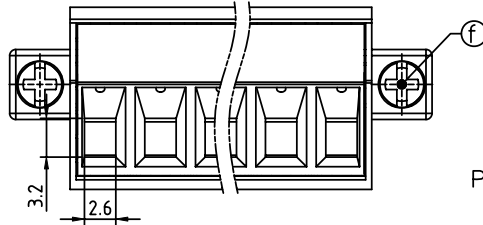
Email & Skype: info@chipsmall.com Web: www.chipsmall.com

Address: A1208, Overseas Decoration Building, #122 Zhenhua RD., Futian, Shenzhen, China

PRODUCT NUMBER	PITCH
TJxx71x700J0G	5.00 mm



SECTION A-A



Material

- Item (a) Terminal body: Thermoplastic (UL94V-0)
- Item (b) Terminal cover: Thermoplastic (UL94V-0)
- Item (c) Female contact: High conductivity copper, Tin plated
- Item (d) Clamp: Brass, Ni plated
- Item (e) Terminal screw: Steel Zinc plating "-" slot type
- Item (f) With flange screw: Steel Zinc plating M2.5"/+/-" slot type

Electrical

- Voltage rating: 300V
- Current rating: 20A
- Solid wire (AWG): 12-24
- Stranded wire (AWG): 12-24
- Torque (Lb-In): 5
- Screw: M3
- Wire strip length: 7-8mm
- Withstanding Voltage: 1.6KV
- Operating temperature: -40°C to +115°C
- Safety Approval: us

PART NO.: TJ xx 71x 7 00J0 G

No. of poles	Color	RoHS compliant
02 2 poles	0 Black (RAL9005)	(lead<4%)
03 3 poles	2 Red (RAL3001/D)	In copper Alloy
...	3 Orange (RAL2011/P)	
...	4 Yellow (RAL1018/A)	
24 24 poles	5 Green (RAL6018/T)	
	6 Blue (RAL5015/A)	
	8 Grey (RAL7035/D)	
	9 White (RAL1102)	
	C Green (RAL6018/U)	

N=NUMBER OF POLES

Dim L=N×5.00
Dim B=(N-1)×5.00
Dim C=(N+1)×5.00
Dim D=(N+2)×5.00

POLES	Tolerance
2P-5P	±0.15
6P-10P	±0.20
11P-15P	±0.25
16P-20P	±0.30
21P-24P	±0.40

mat'l. code	surface ASME Y14.5	tolerance ASME Y14.5	projection	product family
ltr	ecn no	dr	date	TERMINAL BLOCK
				title
				TERMINAL BLOCK
				scale
				PLUGGABLE PLUG, WITH PLANGE, CONTACT ON UP SIDE
				dwg no
				sheet 1 of 1 size
				TJxx71x700J0G
				A4
				type
				CUSTOMER Drawing
sheet index	revision	A		
	sheet	1		