



Chipsmall Limited consists of a professional team with an average of over 10 year of expertise in the distribution of electronic components. Based in Hongkong, we have already established firm and mutual-benefit business relationships with customers from,Europe,America and south Asia,supplying obsolete and hard-to-find components to meet their specific needs.

With the principle of “Quality Parts,Customers Priority,Honest Operation,and Considerate Service”,our business mainly focus on the distribution of electronic components. Line cards we deal with include Microchip,ALPS,ROHM,Xilinx,Pulse,ON,Everlight and Freescale. Main products comprise IC,Modules,Potentiometer,IC Socket,Relay,Connector.Our parts cover such applications as commercial,industrial, and automotives areas.

We are looking forward to setting up business relationship with you and hope to provide you with the best service and solution. Let us make a better world for our industry!



## Contact us

Tel: +86-755-8981 8866 Fax: +86-755-8427 6832

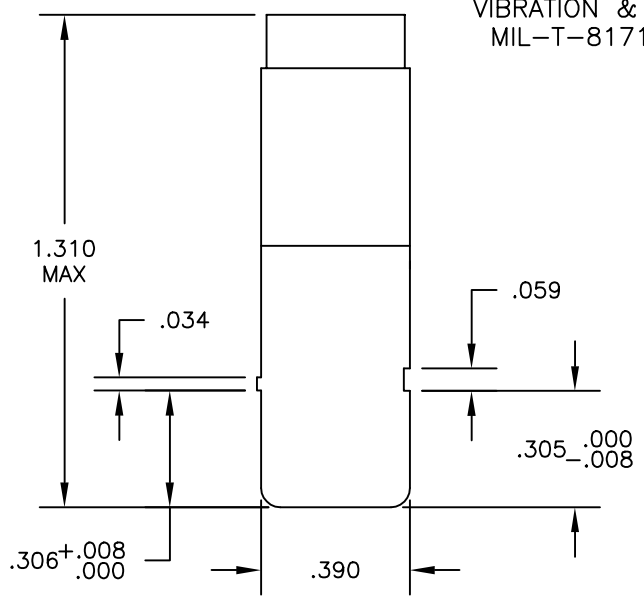
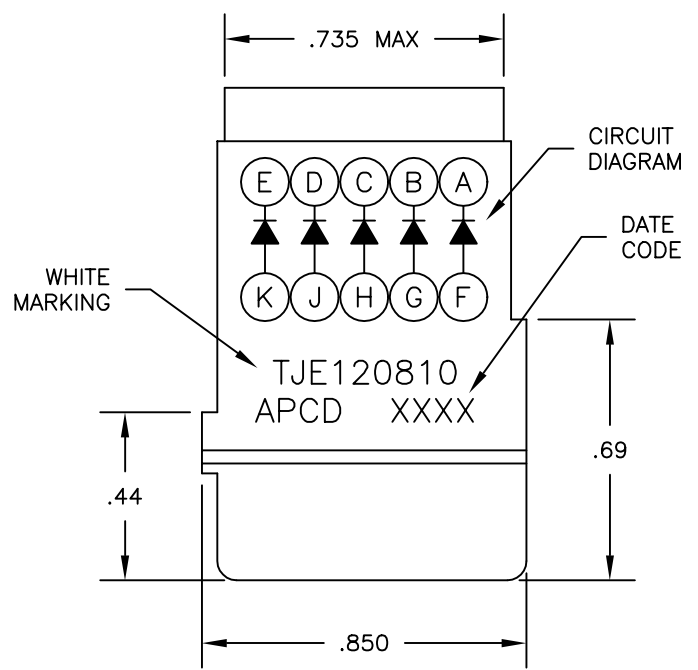
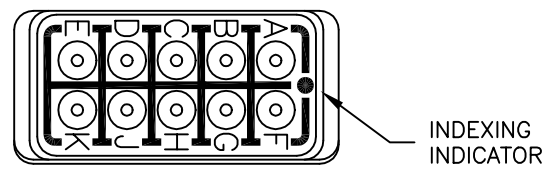
Email & Skype: info@chipsmall.com Web: www.chipsmall.com

Address: A1208, Overseas Decoration Building, #122 Zhenhua RD., Futian, Shenzhen, China



|     |      |           |
|-----|------|-----------|
| REV | ECN  | APP'D     |
| B   | 2773 | JR 7/3/96 |

- NOTES:
- MATERIALS:  
 HOUSING – POLYETHERIMIDE, COLOR: BLACK.  
 GROMMET – SILICONE ELASTOMER, COLOR: BLUE  
 DIODE – JANTX1N5552, QTY. 5.
  - REQUIRES PIN CONTACTS, M39019/1-101;  
 (NOT INCLUDED)
  - OPERATING RANGE (SUBJECT TO LIMITATIONS OF ELECTRONIC COMPONENTS):  
 TEMPERATURE: -65°C TO 200°C  
 INSULATION RESISTANCE: 5000 MEGOHMS @25°C  
 DIELECTRIC WITHSTANDING VOLTAGE:  
 1500 VRMS @ SEA LEVEL  
 100 VRMS @ 100,000 FEET  
 CURRENT RATING: 7.5 AMPS  
 VIBRATION & SHOCK:  
 MIL-T-81714 PARA 3.5.5 & 3.5.8



|   |   |                |  |             |  |              |     |
|---|---|----------------|--|-------------|--|--------------|-----|
| DIMENSIONS<br>ANSI Y14.5M<br>UNITS: INCHES<br>ACAD FILE | TOLERANCES<br>.XX ±.01<br>.XXX ±.005<br>ANGLES ±2°  | PROJECTION<br> | <b>Amphenol Pcd</b><br>SPECIFICATION DRAWING |             | TITLE<br>ELECTRONIC MODULE ASSEMBLY,<br>DIODE, JANTX1N5552 |              |     |
|   |   |                | ENGR<br>A. PATRIE 8/19/95                    |             | SIZE   | DWG NO.      | REV |
| ORIGINAL  | THIS DOCUMENT CONTAINS<br>PROPRIETARY INFORMATION WHICH<br>IS THE CONFIDENTIAL PROPERTY<br>OF AMPHENOL PCD INC. PEABODY, MA | CHKD           | A  | TJE120810   |  | B            |     |
|   |   | APPD           | J. RUTKOWSKI 7/3/96                          | CODE: 58982 | SCALE: 2X  | SHEET 1 OF 1 |     |