



Chipsmall Limited consists of a professional team with an average of over 10 year of expertise in the distribution of electronic components. Based in Hongkong, we have already established firm and mutual-benefit business relationships with customers from,Europe,America and south Asia,supplying obsolete and hard-to-find components to meet their specific needs.

With the principle of “Quality Parts,Customers Priority,Honest Operation,and Considerate Service”,our business mainly focus on the distribution of electronic components. Line cards we deal with include Microchip,ALPS,ROHM,Xilinx,Pulse,ON,Everlight and Freescale. Main products comprise IC,Modules,Potentiometer,IC Socket,Relay,Connector.Our parts cover such applications as commercial,industrial, and automotives areas.

We are looking forward to setting up business relationship with you and hope to provide you with the best service and solution. Let us make a better world for our industry!



Contact us

Tel: +86-755-8981 8866 Fax: +86-755-8427 6832

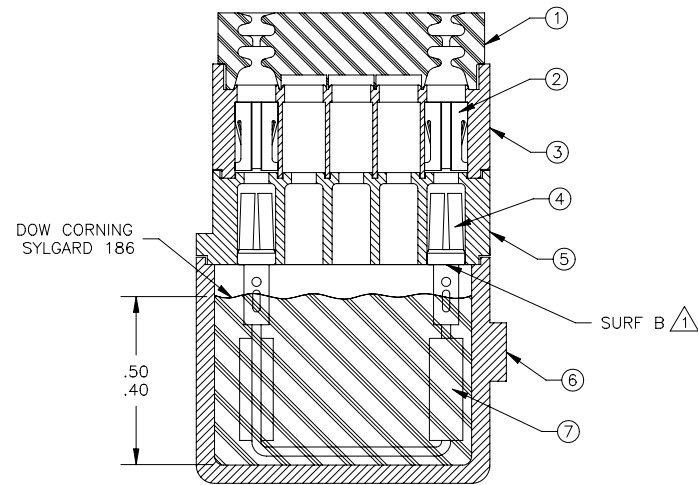
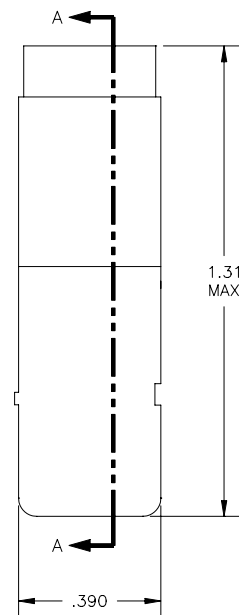
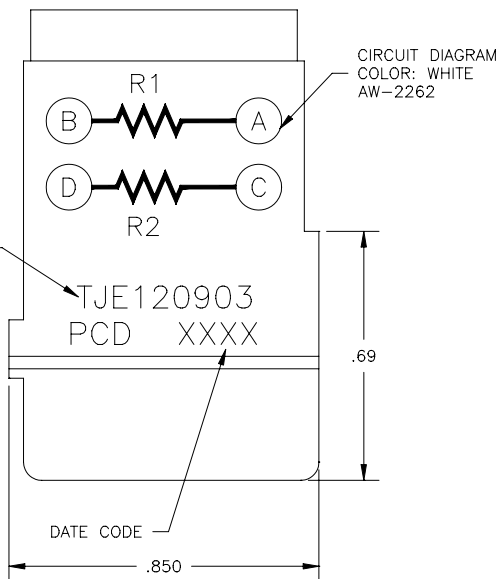
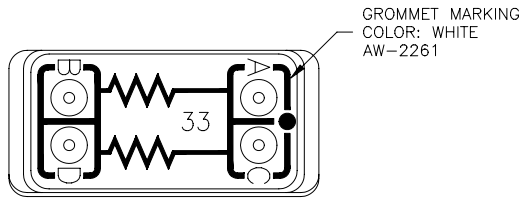
Email & Skype: info@chipsmall.com Web: www.chipsmall.com

Address: A1208, Overseas Decoration Building, #122 Zhenhua RD., Futian, Shenzhen, China



TJE120903

REV	ECN	DESCRIPTION	APP'D
-	3768	RELEASE	



SECTION A-A
ITEMS 2, 4 & 7 NOT SECTIONED

NOTES:
 ITEM #4 CONTACTS SHALL BE SEATED WITHIN .020 MAX BELOW AND .010 MAX ABOVE SURF B OF ITEM #5 BUS HOUSING.

TJE120903

TJE120903

ITEM	PART NO.	DESCRIPTION	QTY
1	270100340	GROMMET, SZ 20/22, 4 POS	1
2	310000101	RETAINER CLIP SIZE 20	4
3	220320000	HOUSING, CLIP, SZ 16/20	1
4	210210003	CONTACT, SOCKET, SZ 16/20 PLATED	4
5	220420000	HOUSING, BUS, SZ 16/20	1
6	220620000	HOUSING, COMPONENT, ELECTRONIC	1
7	320003351	RESISTOR, RLR07C0330GM, 33, 1/4W	2

DIMENSIONS ANSI Y14.5M UNITS: INCHES ACAD FILE	TOLERANCES .XX ±.01 .XXX ±.005 ANGLES ±2°	PROJECTION
ORIGINAL NOT FOR CUSTOMER DISTRIBUTION	THIS DOCUMENT CONTAINS PROPRIETARY INFORMATION WHICH IS THE CONFIDENTIAL PROPERTY OF PCD, INC. PEABODY, MA, USA	

REFERENCE SPECIFICATION
ENGR A. PATRIE 6/4/99
CHKD
APPD

TITLE pcd ELECTRONIC MODULE ASSEMBLY RESISTOR		REV -
SIZE B	DWG NO. TJE120903	REV -
CODE: 58982	SCALE: 3X	SHEET 1 OF 1