



Chipsmall Limited consists of a professional team with an average of over 10 year of expertise in the distribution of electronic components. Based in Hongkong, we have already established firm and mutual-benefit business relationships with customers from,Europe,America and south Asia,supplying obsolete and hard-to-find components to meet their specific needs.

With the principle of “Quality Parts,Customers Priority,Honest Operation,and Considerate Service”,our business mainly focus on the distribution of electronic components. Line cards we deal with include Microchip,ALPS,ROHM,Xilinx,Pulse,ON,Everlight and Freescale. Main products comprise IC,Modules,Potentiometer,IC Socket,Relay,Connector.Our parts cover such applications as commercial,industrial, and automotives areas.

We are looking forward to setting up business relationship with you and hope to provide you with the best service and solution. Let us make a better world for our industry!



Contact us

Tel: +86-755-8981 8866 Fax: +86-755-8427 6832

Email & Skype: info@chipsmall.com Web: www.chipsmall.com

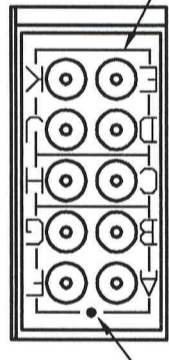
Address: A1208, Overseas Decoration Building, #122 Zhenhua RD., Futian, Shenzhen, China



NOTES:
 1. PART SHALL MEET ALL REQUIREMENTS OF U.S. AIR FORCE DRAWING NO. X8988385, AND IS DESIGNED IN ACCORDANCE WITH MIL-T-81714 CLASS D

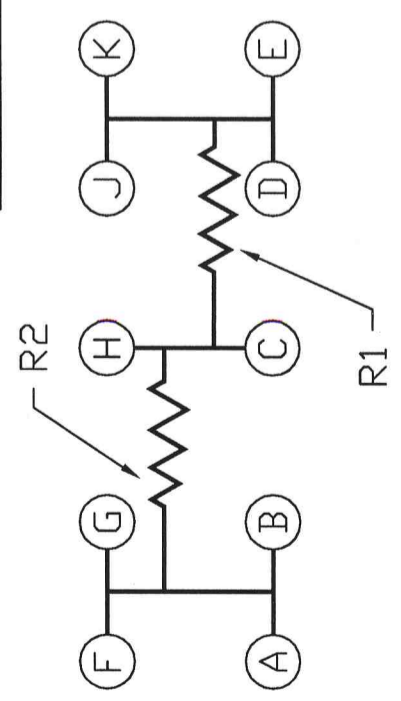
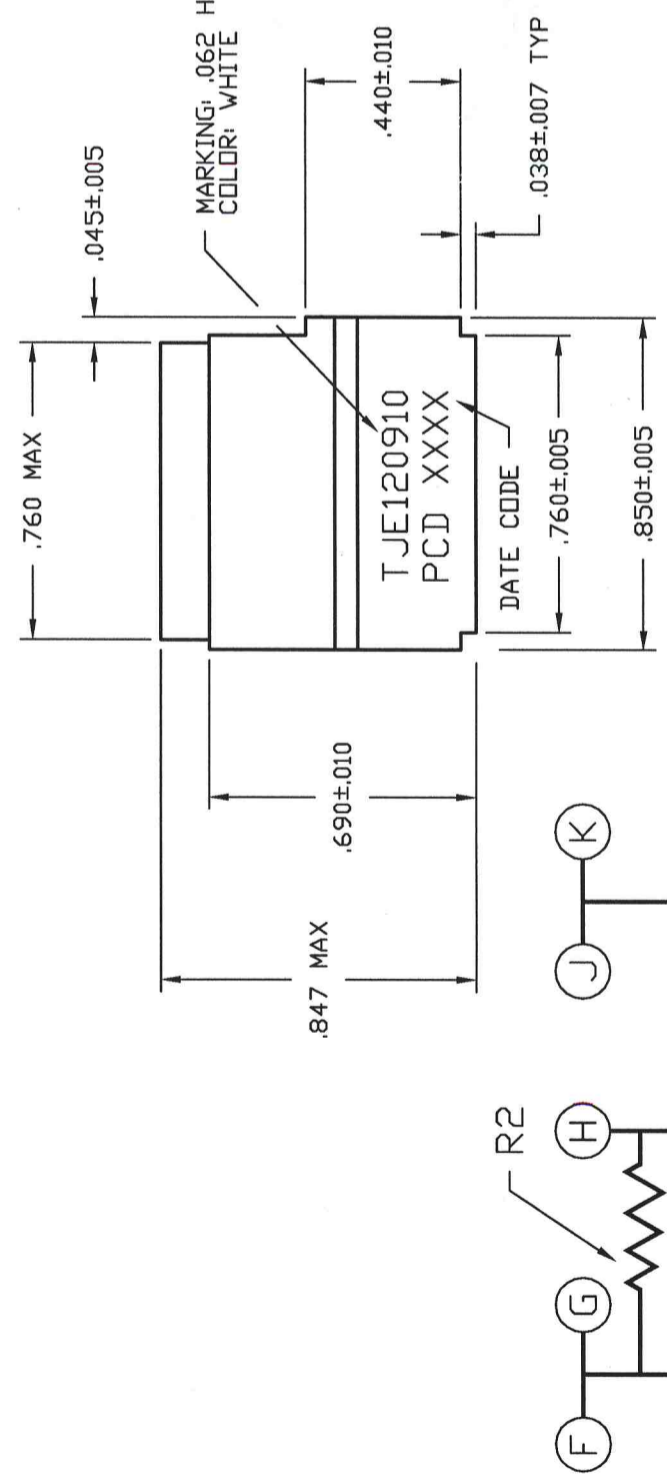
2. MODULE ASSEMBLY CONSTRUCTION:
 A. HOUSING - GLASS FILLED PHENOLIC PER MIL-M-14F TYPE MFH, COLOR: BLACK.
 B. SEALING GROMMET - SILICONE PER ZZ-R-765, COLOR: BLUE.
 C. INTERNAL SOCKET CONTACTS - COPPER ALLOY, GOLD PLATED PER MIL-G-45204, TYPE I, GRADE C, CLASS I.
3. MODULE MARKING AND IDENTIFICATION IS FLUSH WITH SURFACES.
 4. INDEXING INDICATOR DETERMINES ORIENTATION OF MODULE WHEN INSTALLED IN MOUNTING TRACK.
 5. MODULE IS DESIGNED FOR INSTALLATION IN MOUNTING TRACKS PER MIL-T-81714/5 & 16, PCD TJT SERIES.
 6. RECOMMENDED EXTERNAL PIN CONTACT SERVICE TOOLS -
 A. CRIMP TOOL #M22520/2-01 WITH POSITIONER #M22520/2-11.
 B. INSTALLING/REMOVAL TOOL #M81969/14-02, PCD #CNA078001.
7. MODULE ACCEPTS
 A. MATING PIN CONTACTS #M39029/1-101, PCD #CNP006000.
 B. SEALING PLUGS #MS27488-20, PCD # CNA032401.
 8. INTERNAL RESISTORS
 A. R1 - 34.8K +/- 1% .125W (RNC55H3482FS).
 B. R2 - 21.5K +/- 1% .125W (RNC55H2152FS).

GROMMET MARKING
 COLOR: YELLOW



INDEXING INDICATOR

BUSSING INDICATOR

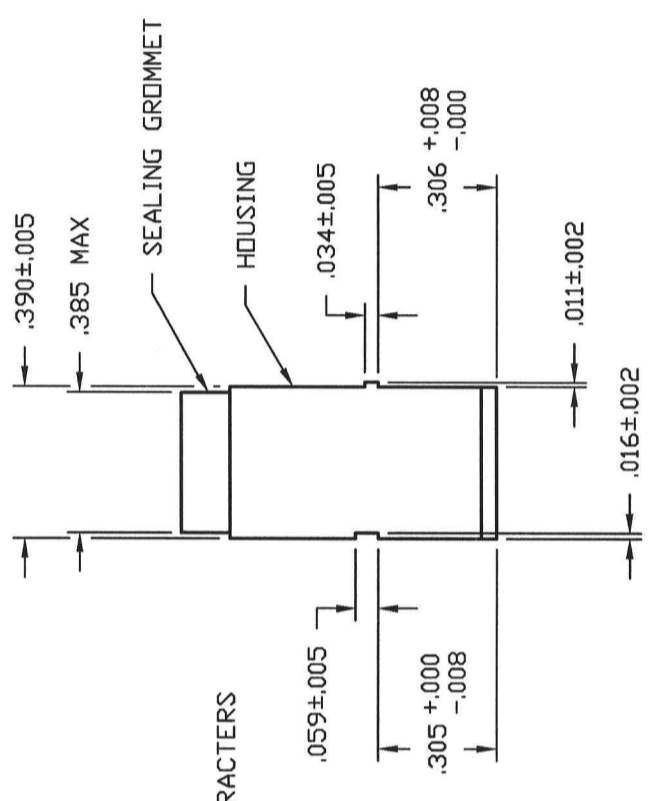


MODULE NOT SUPPLIED WITH
 PIN CONTACTS OR SEALING PLUGS

AW-422125700

ASSEMBLE PER 720910000 (C SIZE).

REVISIONS				
REV	ECN	DESCRIPTION	DATE	APPD
1		PRE-RELEASE	11/29/89	D.S.
2		RNN RSTR WAS RNR	1/29/90	B.A.
3		RNC RSTR WAS RNN	12/5/90	B.A.
-	1853	RELEASE		



AIR FORCE P/N X8999355

TOLERANCES (INCHES)	THIRD ANGLE PROJECTION	DRWN	
.XX± .XXX± ANGLES±		B.A.MICD 11/17/89 CHKD ENGR APPD	
THIS DOCUMENT CONTAINS PROPRIETARY INFORMATION WHICH IS THE CONFIDENTIAL PROPERTY OF PRECISION CONNECTOR DESIGNS, INC.			
		2 TECHNOLOGY DR. PEABODY, MA. 01960 TITLE TERMINAL JUNCTION ELECTRONIC MODULE SIZE 20 SPECIAL	
		SIZE CODE NO. DRAWING NO.	REV
		C 58982 TJE120910	-
		SCALE: 3 : 1	SHEET 1 OF 1