



Chipsmall Limited consists of a professional team with an average of over 10 year of expertise in the distribution of electronic components. Based in Hongkong, we have already established firm and mutual-benefit business relationships with customers from,Europe,America and south Asia,supplying obsolete and hard-to-find components to meet their specific needs.

With the principle of “Quality Parts,Customers Priority,Honest Operation,and Considerate Service”,our business mainly focus on the distribution of electronic components. Line cards we deal with include Microchip,ALPS,ROHM,Xilinx,Pulse,ON,Everlight and Freescale. Main products comprise IC,Modules,Potentiometer,IC Socket,Relay,Connector.Our parts cover such applications as commercial,industrial, and automotives areas.

We are looking forward to setting up business relationship with you and hope to provide you with the best service and solution. Let us make a better world for our industry!



Contact us

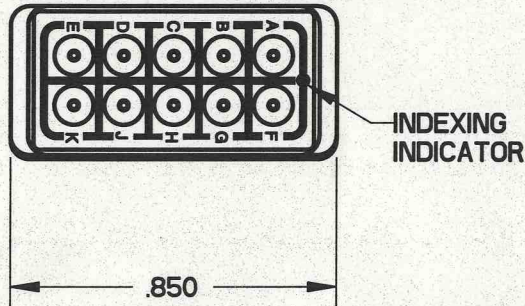
Tel: +86-755-8981 8866 Fax: +86-755-8427 6832

Email & Skype: info@chipsmall.com Web: www.chipsmall.com

Address: A1208, Overseas Decoration Building, #122 Zhenhua RD., Futian, Shenzhen, China

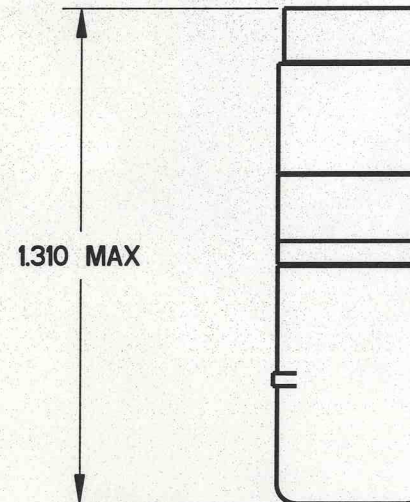
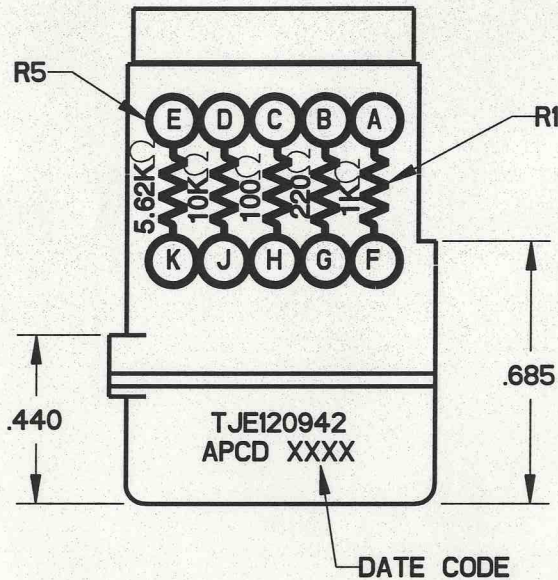


REV	ECN	APP'D
-	6249	<i>8/13/08</i>



NOTES:

- MATERIALS:
 HOUSING - POLYETHERIMIDE, COLOR: BLACK.
 GROMMET - SILICONE ELASTOMER, COLOR: BLUE
 RESISTORS: R1 - $1K\Omega$, 0.25W
 R2 - 220Ω , 1.0W
 R3 - 100Ω , 2.0W
 R4 - $10K\Omega$, 0.1W
 R5 - $5.62K\Omega$, 0.1W
- ACCEPTS PIN CONTACTS, M39029/1-100 (INCLUDED.)



DIMENSIONS ANSI Y14.5M UNITS: INCHES Pro/E FILE	TOLERANCES .XX ±0.01 .XXX ±0.005 ANGLES ±10°	PROJECTION 	Amphenol Pcd		TITLE ELECTRONIC MODULE FIVE RESISTOR SIZE 22	
			ENGR M. DIGIACOMO 05/27/08		SIZE A DWG NO. TJE120942 REV -	
ORIGINAL 	THIS DOCUMENT CONTAINS PROPRIETARY INFORMATION WHICH IS THE CONFIDENTIAL PROPERTY OF AMPHENOL PCD PEABODY, MA, USA		CHKD <i>[Signature]</i> 8/13/08		CODE: 58982 SCALE: NONE SHEET 1 OF 1	
			APPD <i>[Signature]</i> 8/13/08			