



Chipsmall Limited consists of a professional team with an average of over 10 year of expertise in the distribution of electronic components. Based in Hongkong, we have already established firm and mutual-benefit business relationships with customers from,Europe,America and south Asia,supplying obsolete and hard-to-find components to meet their specific needs.

With the principle of “Quality Parts,Customers Priority,Honest Operation,and Considerate Service”,our business mainly focus on the distribution of electronic components. Line cards we deal with include Microchip,ALPS,ROHM,Xilinx,Pulse,ON,Everlight and Freescale. Main products comprise IC,Modules,Potentiometer,IC Socket,Relay,Connector.Our parts cover such applications as commercial,industrial, and automotives areas.

We are looking forward to setting up business relationship with you and hope to provide you with the best service and solution. Let us make a better world for our industry!



Contact us

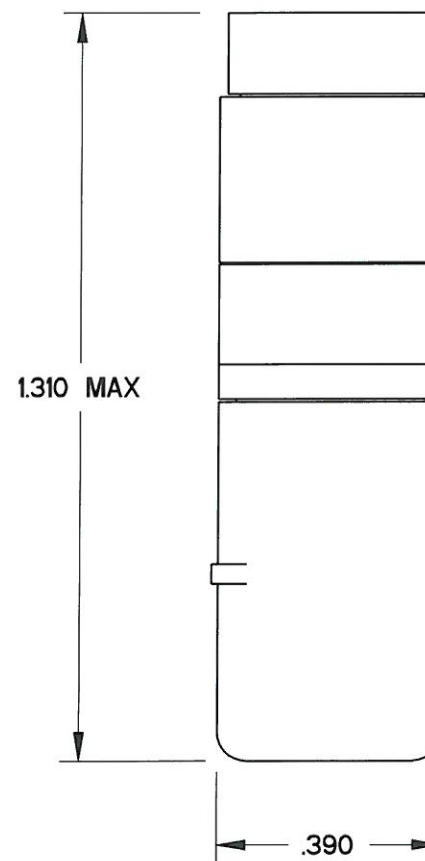
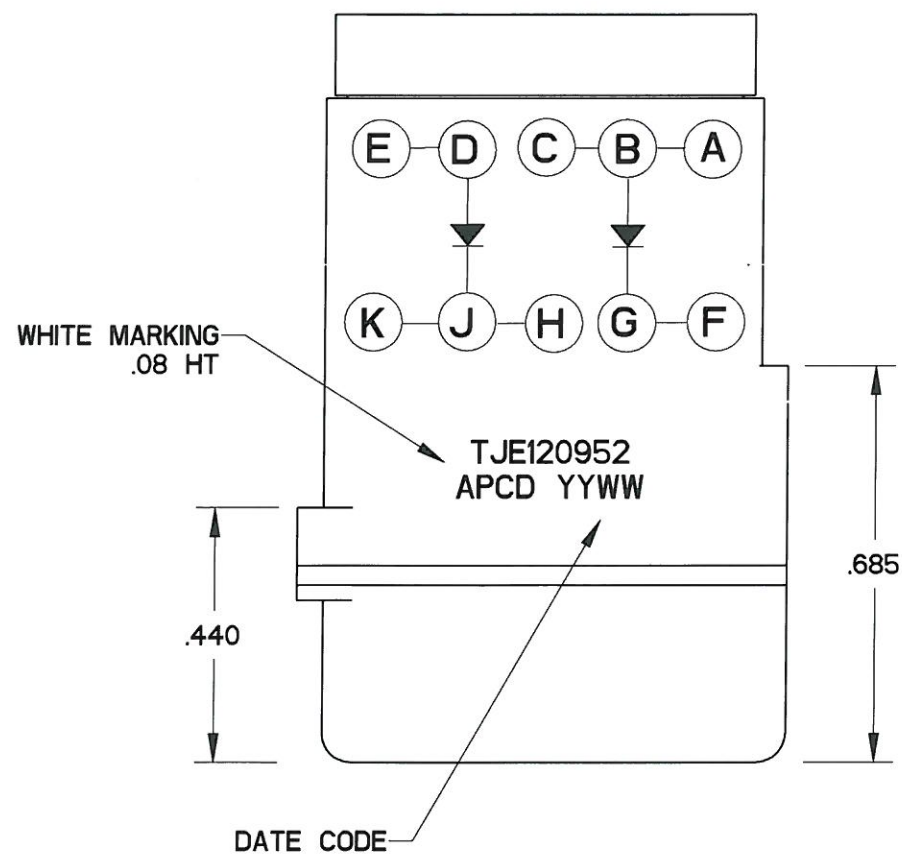
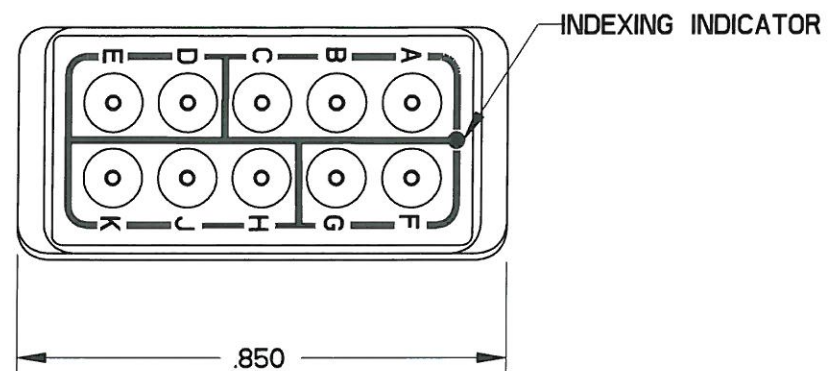
Tel: +86-755-8981 8866 Fax: +86-755-8427 6832

Email & Skype: info@chipsmall.com Web: www.chipsmall.com

Address: A1208, Overseas Decoration Building, #122 Zhenhua RD., Futian, Shenzhen, China



REV	ECN	APP'D
-	6585	JT 9/15/10



- NOTES:
- MATERIALS:
HOUSING - POLYETHERIMIDE, COLOR: BLACK.
GROMMET - SILICONE ELASTOMER, COLOR: BLUE
DIODE - 1N2071 (2 PLACES)
 - MODULE ACCEPTS M39029/1-101 PIN CONTACTS (NOT INCLUDED)

DIMENSIONS ANSI Y14.5M UNITS: INCHES Pro/E FILE	TOLERANCES .XX ±0.01 .XXX ±0.005 ANGLES ±10°	PROJECTION 	Amphenol Pcd SPECIFICATION DRAWING			TITLE ELECTRONIC MODULE DIODE, SIZE 20		
			DRWN R. NEWMAN 27-Aug-10	SIZE B		DWG NO. TJE120952		REV -
ORIGINAL 	THIS DOCUMENT CONTAINS PROPRIETARY INFORMATION WHICH IS THE CONFIDENTIAL PROPERTY OF AMPHENOL PCD, BEVERLY, MA			ENGR 9/15/10	CODE: 58982		SCALE: 3:1	SHEET 1 OF 1

TJE120952

TJE120952