



Chipsmall Limited consists of a professional team with an average of over 10 year of expertise in the distribution of electronic components. Based in Hongkong, we have already established firm and mutual-benefit business relationships with customers from,Europe,America and south Asia,supplying obsolete and hard-to-find components to meet their specific needs.

With the principle of “Quality Parts,Customers Priority,Honest Operation,and Considerate Service”,our business mainly focus on the distribution of electronic components. Line cards we deal with include Microchip,ALPS,ROHM,Xilinx,Pulse,ON,Everlight and Freescale. Main products comprise IC,Modules,Potentiometer,IC Socket,Relay,Connector.Our parts cover such applications as commercial,industrial, and automotives areas.

We are looking forward to setting up business relationship with you and hope to provide you with the best service and solution. Let us make a better world for our industry!



Contact us

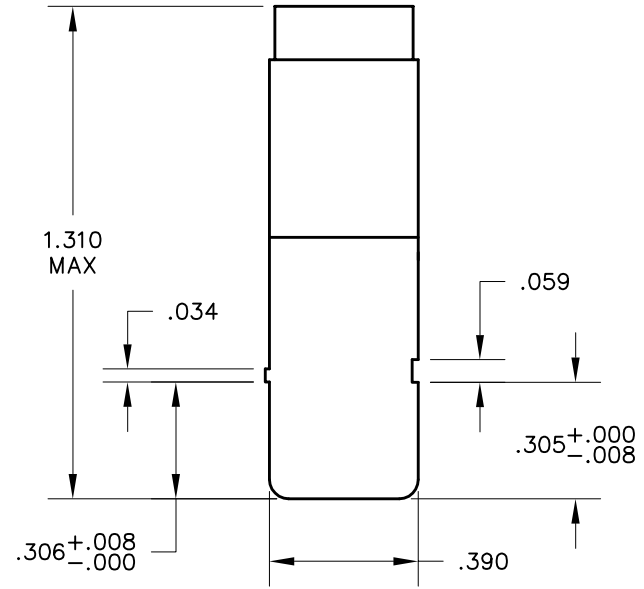
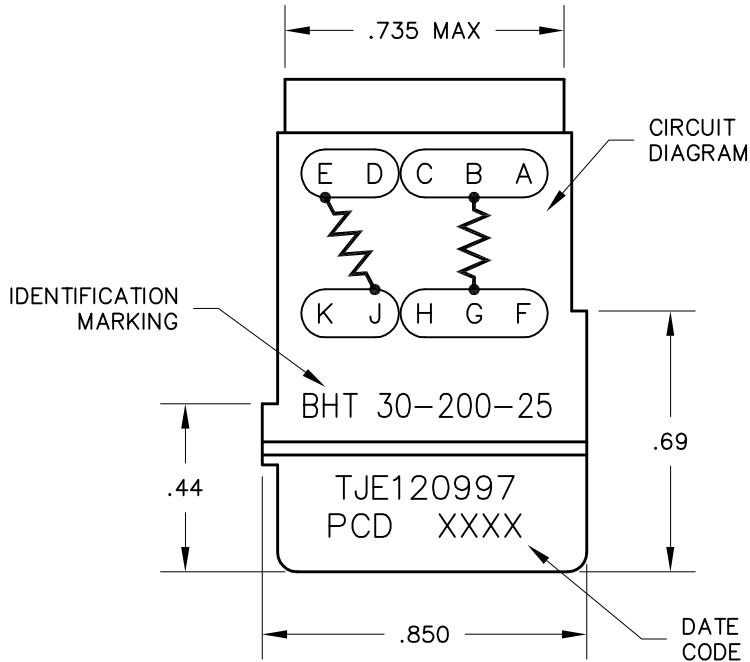
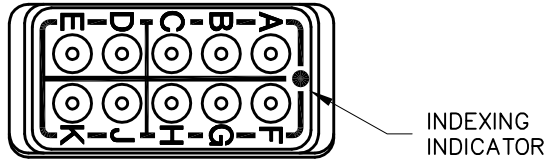
Tel: +86-755-8981 8866 Fax: +86-755-8427 6832

Email & Skype: info@chipsmall.com Web: www.chipsmall.com

Address: A1208, Overseas Decoration Building, #122 Zhenhua RD., Futian, Shenzhen, China



REV	ECN	APP'D
D		



- NOTES:
- MATERIALS:
 HOUSING - POLYETHERIMIDE, COLOR: BLACK.
 GROMMET - SILICONE ELASTOMER, COLOR: BLUE
 RESISTORS - 100Ω±5%, 1/4 W, RLR07C101JS, QTY: 2
 - MODULE ACCEPTS M39029/1-101 PIN CONTACTS (NOT INCLUDED)

DIMENSIONS ANSI Y14.5M UNITS: INCHES ACAD FILE	TOLERANCES .XX ±.01 .XXX ±.005 ANGLES ±2°	PROJECTION 	SPECIFICATION DRAWING			TITLE ELECTRONIC MODULE RESISTOR, 100Ω, 1/4W RLR07C101JS	
			ENGR A. PATRIE 3/24/03				
ORIGINAL	THIS DOCUMENT CONTAINS PROPRIETARY INFORMATION WHICH IS THE CONFIDENTIAL PROPERTY OF PCD, INC. PEABODY, MA, USA	CHKD		SIZE A	DWG NO. TJE120997	REV D	
		APPD		CODE: 58982	SCALE: 2X	SHEET 1 OF 1	