



Chipsmall Limited consists of a professional team with an average of over 10 year of expertise in the distribution of electronic components. Based in Hongkong, we have already established firm and mutual-benefit business relationships with customers from,Europe,America and south Asia,supplying obsolete and hard-to-find components to meet their specific needs.

With the principle of "Quality Parts,Customers Priority,Honest Operation,and Considerate Service",our business mainly focus on the distribution of electronic components. Line cards we deal with include Microchip,ALPS,ROHM,Xilinx,Pulse,ON,Everlight and Freescale. Main products comprise IC,Modules,Potentiometer,IC Socket,Relay,Connector.Our parts cover such applications as commercial,industrial, and automotives areas.

We are looking forward to setting up business relationship with you and hope to provide you with the best service and solution. Let us make a better world for our industry!



## Contact us

Tel: +86-755-8981 8866 Fax: +86-755-8427 6832

Email & Skype: info@chipsmall.com Web: www.chipsmall.com

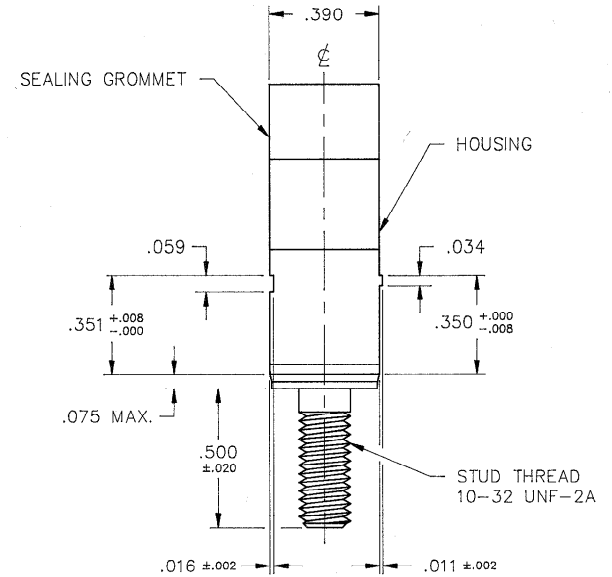
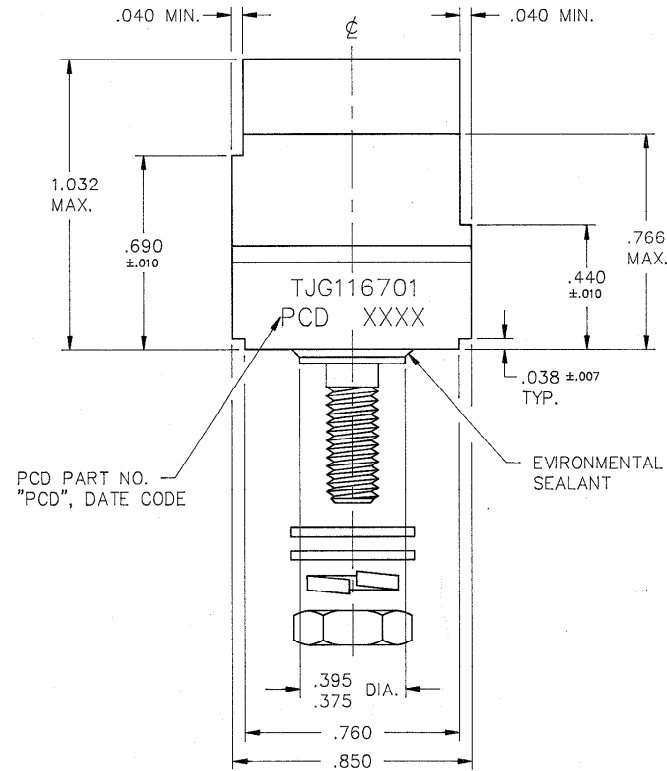
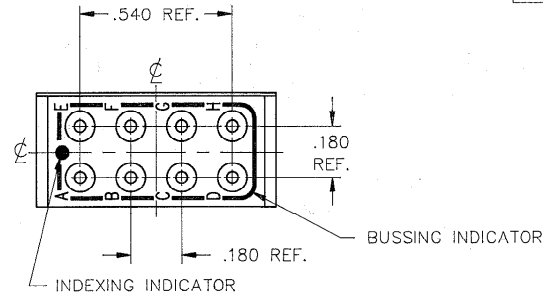
Address: A1208, Overseas Decoration Building, #122 Zhenhua RD., Futian, Shenzhen, China



NOTES:

1. MODULE MEETS ALL REQUIREMENTS OF MIL-T-81714/27, CLASS D, EXCEPT AS SHOWN.
2. MODULE ASSEMBLY CONSTRUCTION:
  - A. HOUSING - GLASS FILLED PHENOLIC PER MIL-M-14F, TYPE MFH, COLOR: BLACK.
  - B. SEALING GROMMET - SILICONE PER ZZ-R-765, COLOR: BLUE.
  - C. INTERNAL SOCKET CONTACTS - COPPER ALLOY, GOLD PLATED PER MIL-G-45204, TYPE I, GRADE C, CLASS 1.
  - D. STUD - COPPER ALLOY, GOLD PLATED.
3. MODULE MARKING AND IDENTIFICATION IS FLUSH WITH SURFACES, COLOR: WHITE.
4. RECOMMENDED EXTERNAL PIN CONTACT SERVICE TOOLS:
  - A. CRIMP TOOL #M22520/1-01 WITH POSITIONER #M22520/1-02 BLUE.
  - B. INSTALLING/REMOVAL TOOL #M81969/14-03, PCD #CNA078002.
5. MODULE ACCEPTS:
  - A. MATING PIN CONTACTS #M39029/1-102, PCD #CNP037000.
  - B. SEALING PLUGS #MS27488-16, PCD #CNA032402.
6. (9) PIN CONTACTS AND (2) SEALING PLUGS SUPPLIED WITH EACH MODULE (PER NOTE 5).
7. MOUNTING HARDWARE SUPPLIED WITH EACH MODULE:
  - (2) FLAT WASHERS PER AN-960-10L.
  - (1) LOCK WASHER PFR MS35338-43.
  - (1) NUT PER MS35650-304.

REVISIONS				
REV	ECN	DESCRIPTION	DATE	APPD
-	1421	RELEASE	3/6/89	APPD



PCD PART NO.  
"PCD", DATE CODE

ENVIRONMENTAL  
SEALANT

TOLERANCES (INCHES) .XX± .XXX± .005 ANGLES±	THIRD ANGLE PROJECTION 	DRWN M. CALLA 2/13/89	<b>pcd</b> 2 TECHNOLOGY DR. PEABODY, MA. 01960
		CHKD	
THIS DOCUMENT CONTAINS PROPRIETARY INFORMATION WHICH IS THE CONFIDENTIAL PROPERTY OF PRECISION CONNECTOR DESIGNS, INC.		ENGR	SIZE CODE NO. DRAWING NO.
		APPD <i>W. Jura</i> 3/6/89	C 58982 TJG116701
		SCALE: 3 : 1	REV - SHEET 1 OF 1

AW 422046700

ENG FILE COPY  
DO NOT REMOVE FROM ROOM

NO FILE