



Chipsmall Limited consists of a professional team with an average of over 10 year of expertise in the distribution of electronic components. Based in Hongkong, we have already established firm and mutual-benefit business relationships with customers from,Europe,America and south Asia,supplying obsolete and hard-to-find components to meet their specific needs.

With the principle of “Quality Parts,Customers Priority,Honest Operation,and Considerate Service”,our business mainly focus on the distribution of electronic components. Line cards we deal with include Microchip,ALPS,ROHM,Xilinx,Pulse,ON,Everlight and Freescale. Main products comprise IC,Modules,Potentiometer,IC Socket,Relay,Connector.Our parts cover such applications as commercial,industrial, and automotives areas.

We are looking forward to setting up business relationship with you and hope to provide you with the best service and solution. Let us make a better world for our industry!



## Contact us

Tel: +86-755-8981 8866 Fax: +86-755-8427 6832

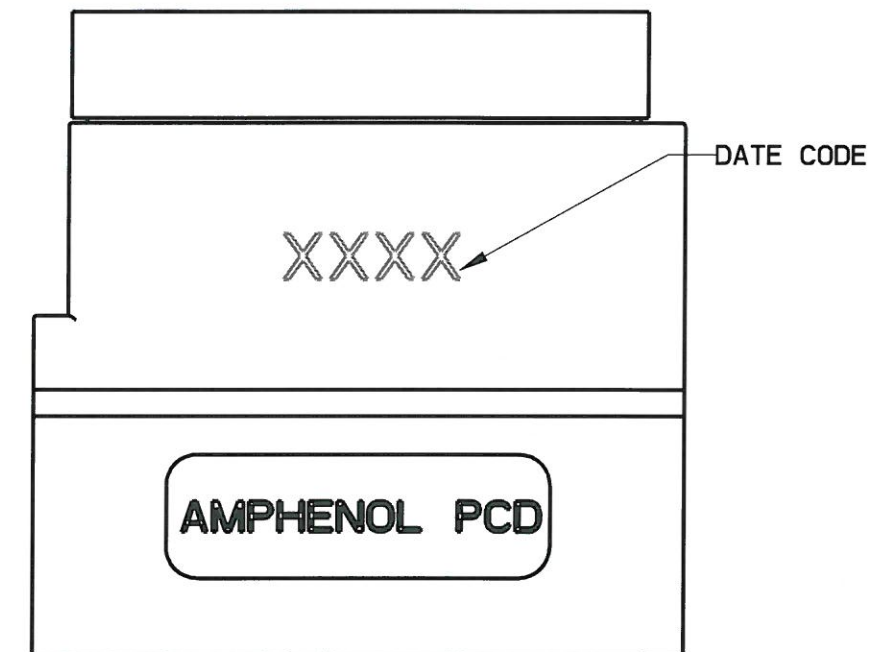
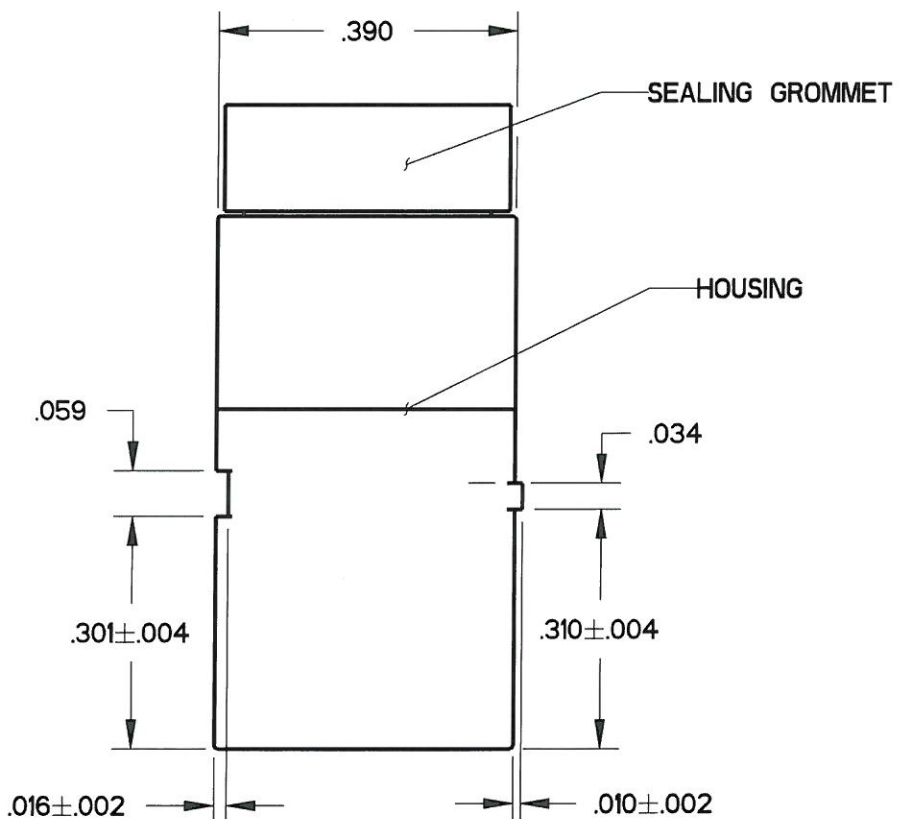
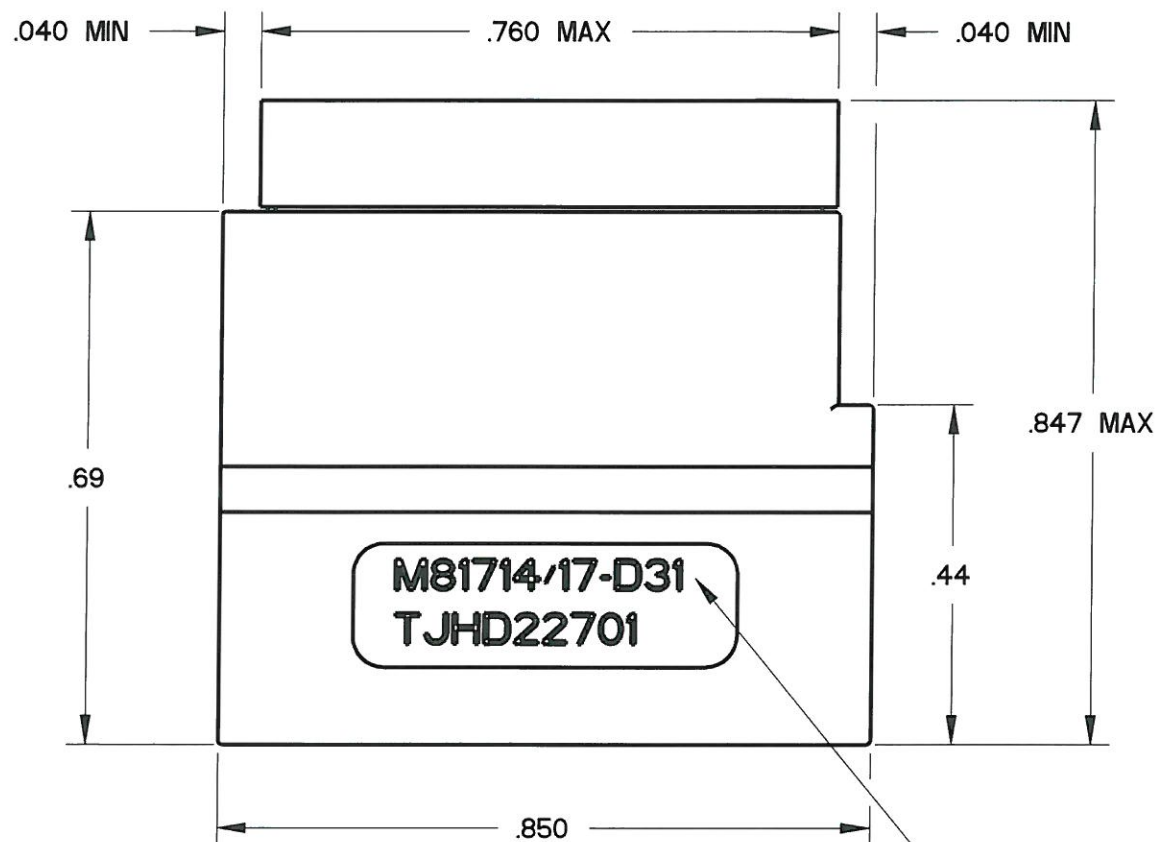
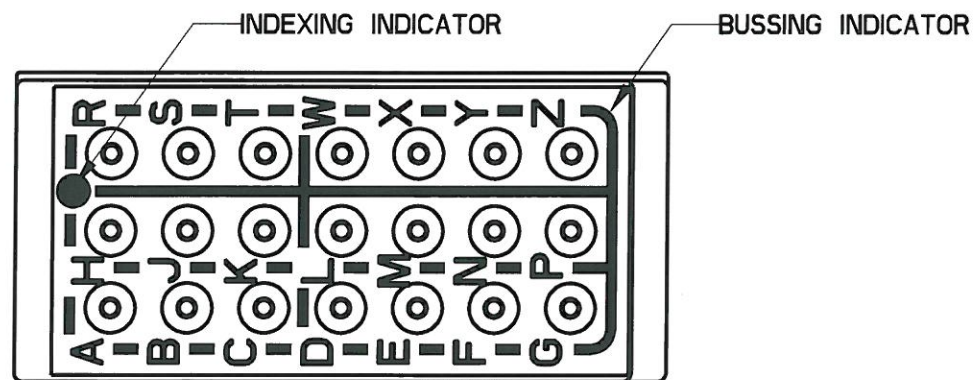
Email & Skype: info@chipsmall.com Web: www.chipsmall.com

Address: A1208, Overseas Decoration Building, #122 Zhenhua RD., Futian, Shenzhen, China





REV	ECN	APP'D
-	2939	JR 2/7/97
A	3043	AP 7/22/97
B	3338	JR 7/16/98
C	6200	JT 8/25/08
D	6349	<i>[Signature]</i> 9/27/10



IDENTIFICATION CHARACTERS  
.06 HEIGHT

- NOTES:  
1. MATERIAL:  
HOUSING - THERMOPLASTIC, COLOR: BLACK.  
GROMMET - SILICONE RUBBER, COLOR: BLUE  
INTERNAL BUSSING - COPPER ALLOY  
2. MODULE ACCEPTS M39029/1-507 PIN CONTACTS

PART NO.	INCLUDED W/ MODULE
TJHD22605	MODULE ONLY
TJHD22705	22 EACH M39029/1-507 PIN CONTACTS 2 EACH MS27488-22 SEALING PLUGS

DIMENSIONS		TOLERANCES	PROJECTION	Amphenol Pcd		TITLE			
ANSI Y14.5M		.XX ±0.01		SPECIFICATION DRAWING		MODULE, TERMINAL JUNCTION			
UNITS: INCHES		.XXX ±0.005		ENGR		SIZE 22, HI-DENSITY			
Pro/E FILE		ANGLES ±2.0°		A. PATRIE 03/08/06		D35 BUS ARRANGEMENT			
ORIGINAL	THIS DOCUMENT CONTAINS PROPRIETARY INFORMATION WHICH IS THE CONFIDENTIAL PROPERTY OF AMPHENOL PCD INC., BEVERLY, MA			CHKD	9/27/10		SIZE	DWG NO.	REV
				APPD	<i>[Signature]</i> 9/27/10		B	TJHD22605	D
				CODE: 58982		SCALE: 4:1		SHEET 1 OF 1	

TJHD22605

TJHD22605